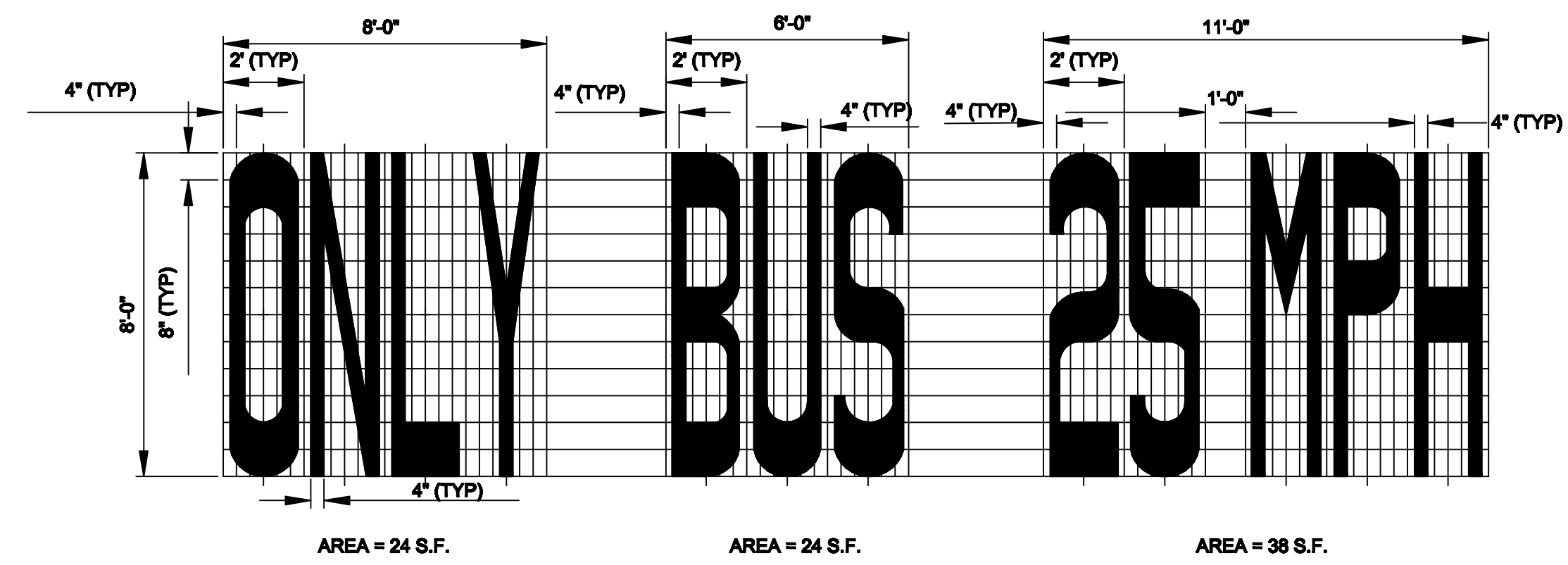
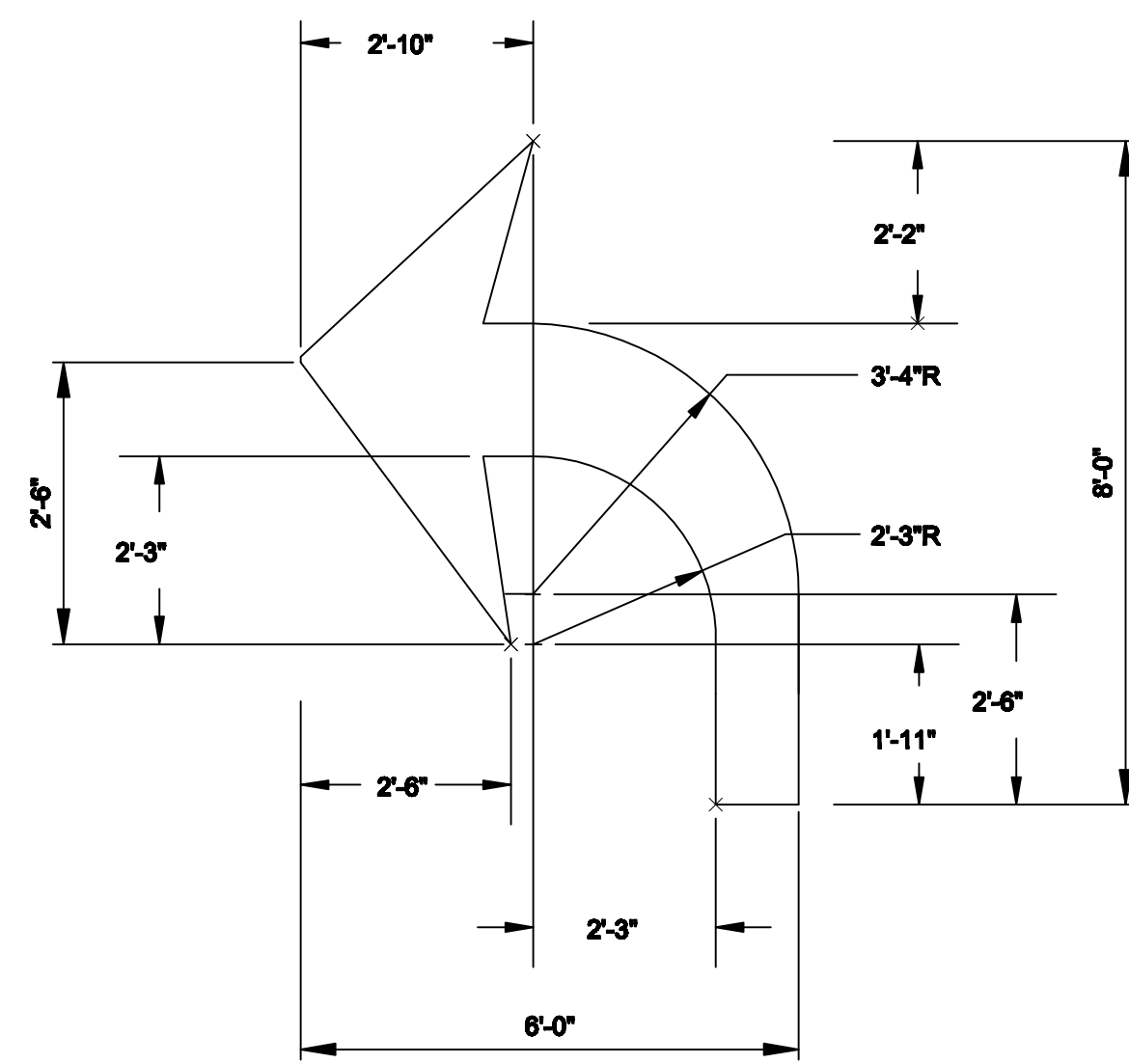


NOTE:  
ON ANY STREET WHERE THE THRU LANE IS LESS THAN 12 FEET WIDE, THE SIZE OF THE "SCHOOL" MARKING SHOULD BE REDUCED TO 8 FEET HIGH AND 8 FEET WIDE.

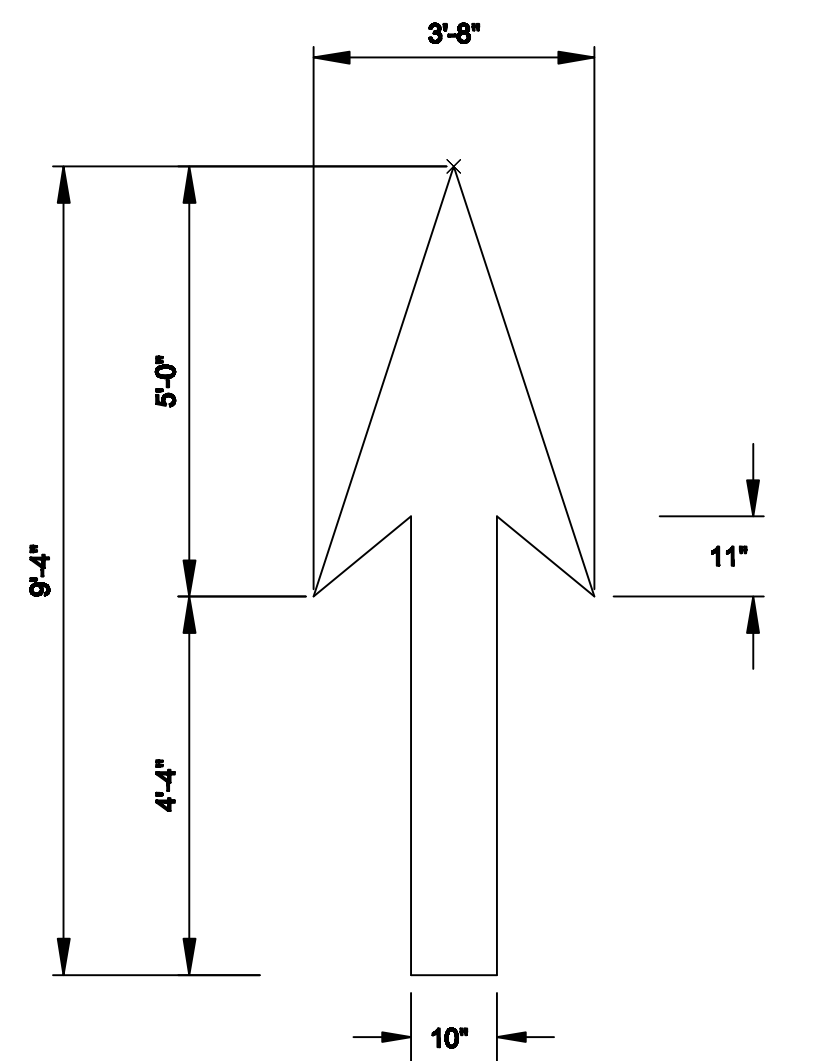
N.T.S.



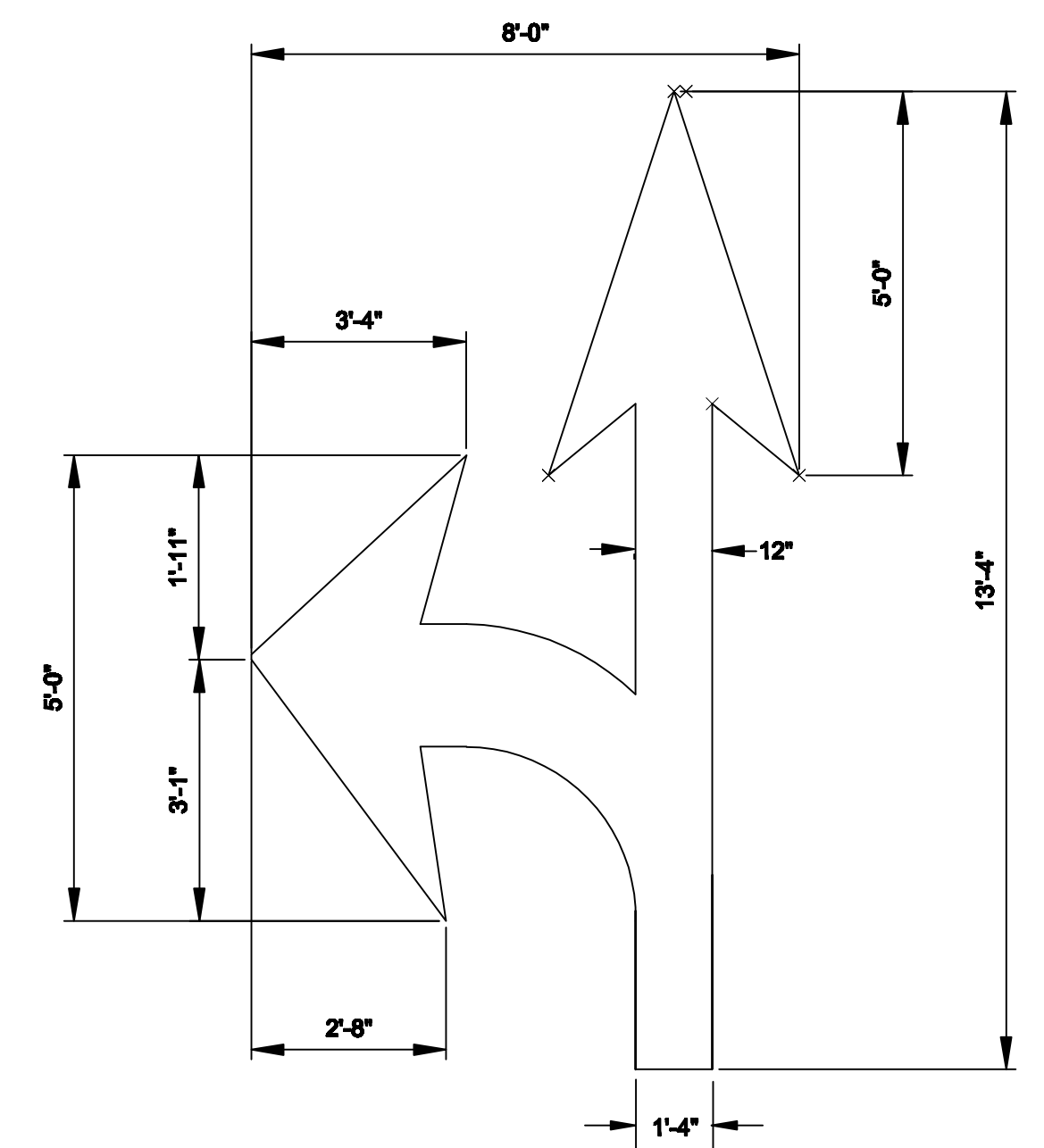
N.T.S.



TURN LANE USE ARROW  
N.T.S.



THROUGH LANE-USE ARROW  
N.T.S.



TURN & THROUGH LANE-USE ARROW  
AREA = 28 S.F.

COPYRIGHT 2008, T&M ASSOCIATES - ALL RIGHTS RESERVED. FOR OTHER THAN THE ORIGINAL PROJECT OR THE COPYING OR REUSE OF THIS DOCUMENT, OR PORTIONS THEREOF, WITHOUT THE WRITTEN PERMISSION OF T&M ASSOCIATES, IS PROHIBITED.

**City of Jersey City**  
Division of Engineering  
575 ROUTE 440  
JERSEY CITY, NEW JERSEY 07305  
(201) 547-4412



NO.	REVISIONS	DATE
1	"THE THRU LANE" Added to Note For School Marking	7/09

CITY OF JERSEY CITY		
<b>STANDARDS</b>		
NO.	REVISIONS	DATE

William R. Goble, P.E.  
Director  
Division of Engineering  
NJ P.E. Lic. No. 24798

Date

<b>Pavement Markings</b>		
DRAWN BY	DESIGNED BY	CHECKED BY
PROJECT NO.	CADD FILE	SCALE

DRAWING  
SHEET  
12  
17