

Jersey City Master Plan Circulation Element

Prepared for:

**City of Jersey City
Hudson County, New Jersey**

Prepared by:



APPENDICES

Appendix

Traffic Count Data

TechniQuest Corporation
 4105 US Route 1, Suite # 14
 Monmouth Junction, NJ 08852
 Phone: 732-274-9500 Fax: 732-274-9510

File Name : 41-A
 Site Code : A
 Start Date : 4/30/2008
 Page No : 1

Groups Printed- Car - Light Truck - Heavy Truck

Start Time	Garfield Avenue Southbound					Bay View Avenue Westbound					Garfield Avenue Northbound					Bay View Avenue Eastbound					Int. Total
	Left	Thru	Right	Peds	App. Total	Left	Thru	Right	Peds	App. Total	Left	Thru	Right	Peds	App. Total	Left	Thru	Right	Peds	App. Total	
07:00 AM	31	67	0	0	98	8	0	37	0	45	0	94	3	0	97	19	27	14	0	60	300
07:15 AM	34	65	0	0	99	7	0	42	0	49	0	102	4	0	106	18	30	15	0	63	317
07:30 AM	31	77	0	0	108	13	0	51	0	64	10	123	25	0	158	28	32	13	0	73	403
07:45 AM	36	101	0	0	137	26	0	76	0	102	0	144	16	0	160	30	36	16	0	82	481
Total	132	310	0	0	442	54	0	206	0	260	10	463	48	0	521	95	125	58	0	278	1501
08:00 AM	37	85	0	0	122	17	0	60	0	77	0	127	9	0	136	33	37	22	0	92	427
08:15 AM	36	108	0	0	144	22	0	51	0	73	0	126	10	0	136	32	34	40	0	106	459
08:30 AM	23	98	0	0	121	17	0	57	0	74	0	132	20	0	152	17	19	19	0	55	402
08:45 AM	30	84	0	0	114	33	0	51	0	84	0	110	14	0	124	23	23	28	0	74	396
Total	126	375	0	0	501	89	0	219	0	308	0	495	53	0	548	105	113	109	0	327	1684
09:00 AM	32	81	0	0	113	26	0	42	0	68	0	33	4	0	37	21	21	14	0	56	274
09:15 AM	24	79	0	0	103	21	0	43	0	64	0	34	4	0	38	31	18	9	0	58	263
09:30 AM	31	84	0	0	115	11	0	27	0	38	0	33	2	0	35	35	11	19	0	65	253
09:45 AM	19	79	0	0	98	16	0	40	0	56	0	13	1	0	14	22	15	13	0	50	218
Total	106	323	0	0	429	74	0	152	0	226	0	113	11	0	124	109	65	55	0	229	1008
*** BREAK ***																					
11:00 AM	18	41	0	0	59	17	0	26	0	43	0	23	8	0	31	22	18	14	0	54	187
11:15 AM	24	45	0	0	69	20	0	31	0	51	0	27	4	0	31	22	13	18	0	53	204
11:30 AM	12	38	0	0	50	18	0	27	0	45	0	28	9	0	37	9	11	13	0	33	165
11:45 AM	24	62	0	0	86	18	0	40	0	58	0	21	2	0	23	18	29	20	0	67	234
Total	78	186	0	0	264	73	0	124	0	197	0	99	23	0	122	71	71	65	0	207	790
12:00 PM	28	96	0	0	124	24	0	47	1	72	0	42	7	0	49	25	18	15	0	58	303
12:15 PM	25	79	0	0	104	15	0	53	0	68	0	35	5	0	40	18	17	16	0	51	263
12:30 PM	29	101	0	0	130	22	0	39	0	61	0	24	7	0	31	28	19	18	0	65	287
12:45 PM	24	63	0	0	87	13	0	48	0	61	0	31	7	0	38	20	14	13	0	47	233
Total	106	339	0	0	445	74	0	187	1	262	0	132	26	0	158	91	68	62	0	221	1086
01:00 PM	12	53	0	0	65	22	0	43	0	65	0	33	4	0	37	20	13	12	0	45	212
01:15 PM	24	66	0	0	90	26	0	37	0	63	0	35	3	0	38	19	11	11	0	41	232
01:30 PM	21	71	0	0	92	25	0	36	0	61	0	27	9	0	36	18	20	13	0	51	240
01:45 PM	14	63	0	0	77	14	0	34	0	48	0	29	9	0	38	20	21	16	0	57	220
Total	71	253	0	0	324	87	0	150	0	237	0	124	25	0	149	77	65	52	0	194	904

TechniQuest Corporation

4105 US Route 1, Suite # 14
 Monmouth Junction, NJ 08852
 Phone: 732-274-9500 Fax: 732-274-9510

File Name : 41-A
 Site Code : A
 Start Date : 4/30/2008
 Page No : 2

Groups Printed- Car - Light Truck - Heavy Truck

Start Time	Garfield Avenue Southbound					Bay View Avenue Westbound					Garfield Avenue Northbound					Bay View Avenue Eastbound					Int. Total
	Left	Thru	Right	Peds	App. Total	Left	Thru	Right	Peds	App. Total	Left	Thru	Right	Peds	App. Total	Left	Thru	Right	Peds	App. Total	
*** BREAK ***																					
03:00 PM	43	27	0	0	70	24	0	21	0	45	0	34	7	0	41	26	35	27	0	88	244
03:15 PM	41	26	0	0	67	29	0	25	0	54	0	35	6	0	41	26	36	30	0	92	254
03:30 PM	43	143	0	0	186	31	0	26	0	57	0	36	2	0	38	29	35	29	0	93	374
03:45 PM	32	132	0	0	164	25	0	41	0	66	0	55	7	0	62	22	20	28	0	70	362
Total	159	328	0	0	487	109	0	113	0	222	0	160	22	0	182	103	126	114	0	343	1234
04:00 PM	31	122	0	0	153	45	0	39	0	84	0	83	13	0	96	8	16	30	0	54	387
04:15 PM	21	112	0	0	133	36	0	48	0	84	0	74	16	0	90	6	11	15	0	32	339
04:30 PM	23	100	0	0	123	32	0	37	0	69	0	81	12	0	93	9	10	13	0	32	317
04:45 PM	14	105	0	0	119	40	0	45	0	85	0	60	14	0	74	11	15	20	0	46	324
Total	89	439	0	0	528	153	0	169	0	322	0	298	55	0	353	34	52	78	0	164	1367
05:00 PM	21	121	0	0	142	43	0	28	0	71	0	77	7	0	84	17	19	21	0	57	354
05:15 PM	22	108	0	0	130	38	0	39	0	77	0	104	9	0	113	15	20	19	0	54	374
05:30 PM	15	107	0	0	122	39	0	32	0	71	0	94	17	0	111	13	18	24	0	55	359
05:45 PM	33	138	0	0	171	39	0	33	0	72	0	110	11	0	121	15	18	20	0	53	417
Total	91	474	0	0	565	159	0	132	0	291	0	385	44	0	429	60	75	84	0	219	1504
Grand Total	958	3027	0	0	3985	872	0	1452	1	2325	10	2269	307	0	2586	745	760	677	0	2182	11078
Apprch %	24	76	0	0		37.5	0	62.5	0		0.4	87.7	11.9	0		34.1	34.8	31	0		
Total %	8.6	27.3	0	0	36	7.9	0	13.1	0	21	0.1	20.5	2.8	0	23.3	6.7	6.9	6.1	0	19.7	
Car	764	2911	0	0	3675	802	0	1210	0	2012	10	2214	297	0	2521	730	727	664	0	2121	10329
% Car	79.7	96.2	0	0	92.2	92	0	83.3	0	86.5	100	97.6	96.7	0	97.5	98	95.7	98.1	0	97.2	93.2
Light Truck	43	97	0	0	140	65	0	83	0	148	0	52	7	0	59	13	24	12	0	49	396
% Light Truck	4.5	3.2	0	0	3.5	7.5	0	5.7	0	6.4	0	2.3	2.3	0	2.3	1.7	3.2	1.8	0	2.2	3.6
Heavy Truck	151	19	0	0	170	5	0	159	1	165	0	3	3	0	6	2	9	1	0	12	353
% Heavy Truck	15.8	0.6	0	0	4.3	0.6	0	11	100	7.1	0	0.1	1	0	0.2	0.3	1.2	0.1	0	0.5	3.2

TechniQuest Corporation

4105 US Route 1, Suite # 14
 Monmouth Junction, NJ 08852
 Phone: 732-274-9500 Fax: 732-274-9510

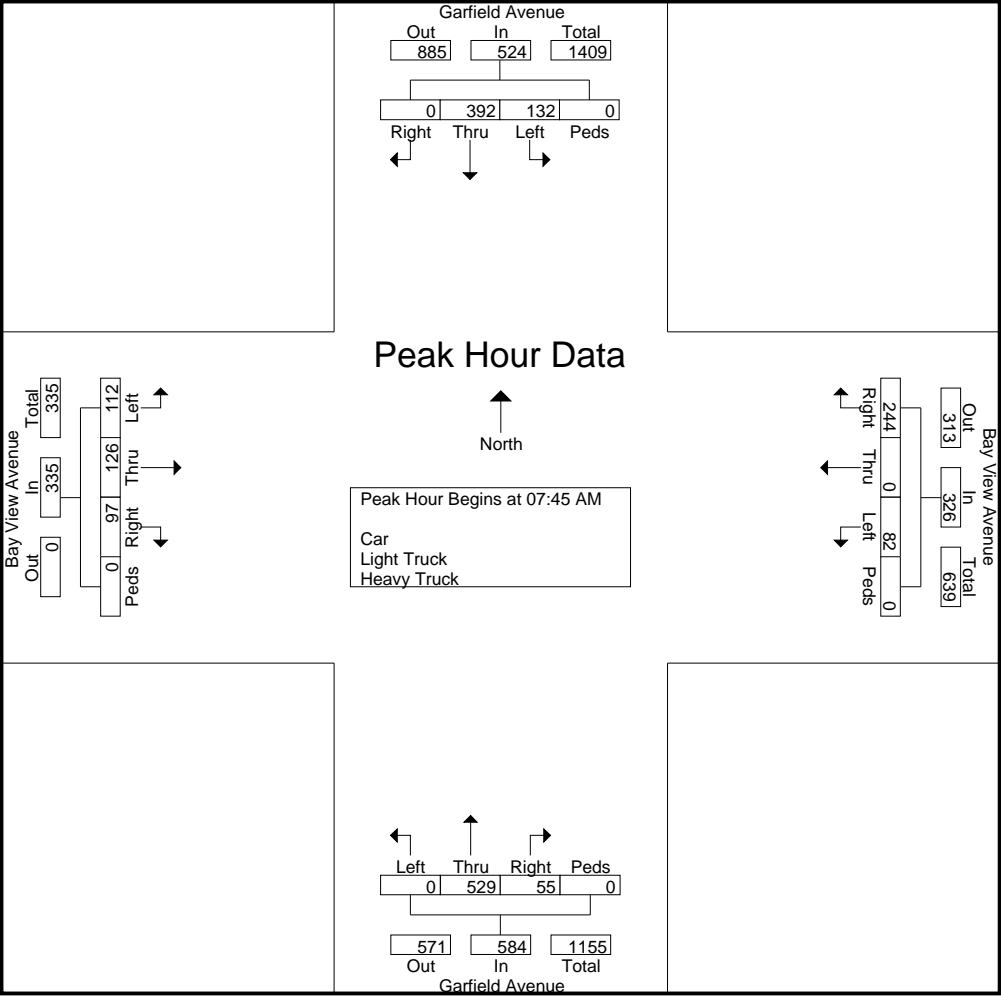
File Name : 41-A
 Site Code : A
 Start Date : 4/30/2008
 Page No : 3

Start Time	Garfield Avenue Southbound					Bay View Avenue Westbound					Garfield Avenue Northbound					Bay View Avenue Eastbound					Int. Total
	Left	Thru	Right	Peds	App. Total	Left	Thru	Right	Peds	App. Total	Left	Thru	Right	Peds	App. Total	Left	Thru	Right	Peds	App. Total	
Peak Hour Analysis From 07:45 AM to 08:30 AM - Peak 1 of 1																					
Peak Hour for Entire Intersection Begins at 07:45 AM																					
07:45 AM	36	101	0	0	137	26	0	76	0	102	0	144	16	0	160	30	36	16	0	82	481
08:00 AM	37	85	0	0	122	17	0	60	0	77	0	127	9	0	136	33	37	22	0	92	427
08:15 AM	36	108	0	0	144	22	0	51	0	73	0	126	10	0	136	32	34	40	0	106	459
08:30 AM	23	98	0	0	121	17	0	57	0	74	0	132	20	0	152	17	19	19	0	55	402
Total Volume	132	392	0	0	524	82	0	244	0	326	0	529	55	0	584	112	126	97	0	335	1769
% App. Total	25.2	74.8	0	0		25.2	0	74.8	0		0	90.6	9.4	0		33.4	37.6	29	0		
PHF	.892	.907	.000	.000	.910	.788	.000	.803	.000	.799	.000	.918	.688	.000	.913	.848	.851	.606	.000	.790	.919

TechniQuest Corporation

4105 US Route 1, Suite # 14
 Monmouth Junction, NJ 08852
 Phone: 732-274-9500 Fax: 732-274-9510

File Name : 41-A
 Site Code : A
 Start Date : 4/30/2008
 Page No : 4



TechniQuest Corporation

4105 US Route 1, Suite # 14
 Monmouth Junction, NJ 08852
 Phone: 732-274-9500 Fax: 732-274-9510

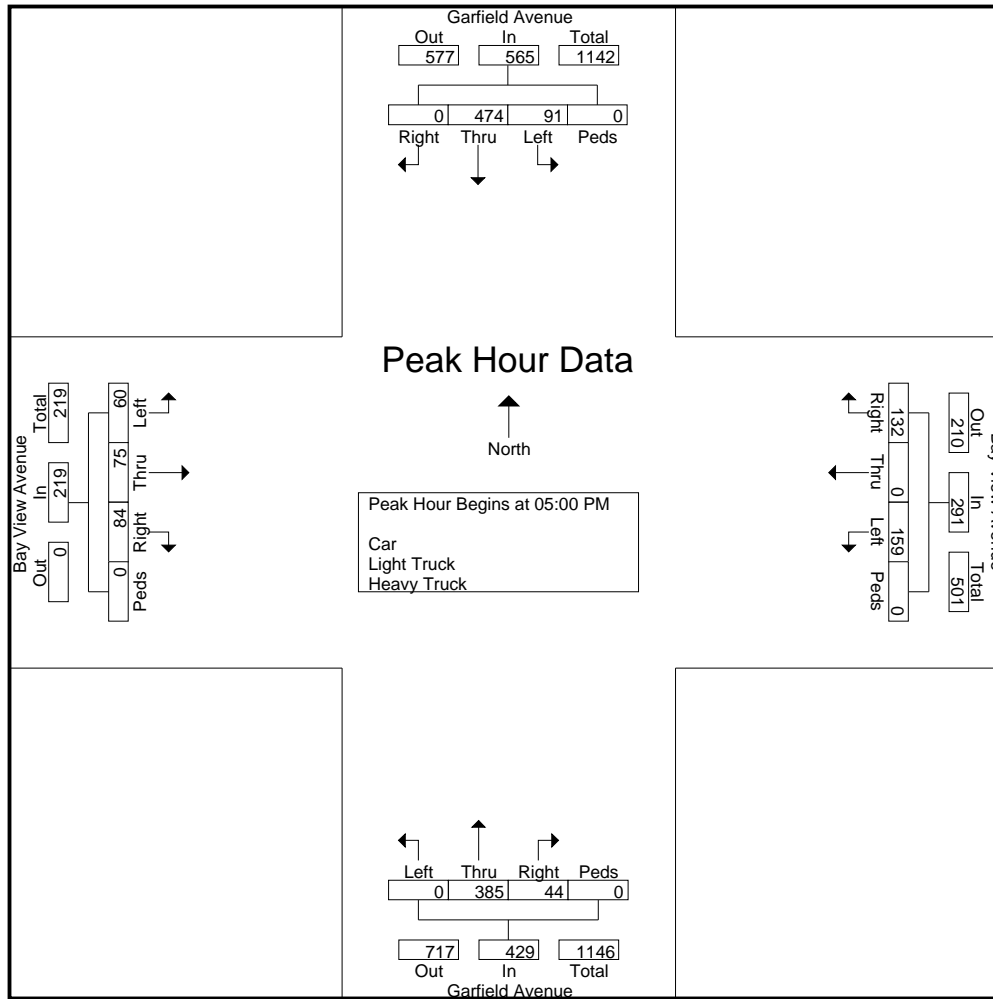
File Name : 41-A
 Site Code : A
 Start Date : 4/30/2008
 Page No : 5

Start Time	Garfield Avenue Southbound					Bay View Avenue Westbound					Garfield Avenue Northbound					Bay View Avenue Eastbound					Int. Total
	Left	Thru	Right	Peds	App. Total	Left	Thru	Right	Peds	App. Total	Left	Thru	Right	Peds	App. Total	Left	Thru	Right	Peds	App. Total	
Peak Hour Analysis From 05:00 PM to 05:45 PM - Peak 1 of 1																					
Peak Hour for Entire Intersection Begins at 05:00 PM																					
05:00 PM	21	121	0	0	142	43	0	28	0	71	0	77	7	0	84	17	19	21	0	57	354
05:15 PM	22	108	0	0	130	38	0	39	0	77	0	104	9	0	113	15	20	19	0	54	374
05:30 PM	15	107	0	0	122	39	0	32	0	71	0	94	17	0	111	13	18	24	0	55	359
05:45 PM	33	138	0	0	171	39	0	33	0	72	0	110	11	0	121	15	18	20	0	53	417
Total Volume	91	474	0	0	565	159	0	132	0	291	0	385	44	0	429	60	75	84	0	219	1504
% App. Total	16.1	83.9	0	0		54.6	0	45.4	0		0	89.7	10.3	0		27.4	34.2	38.4	0		
PHF	.689	.859	.000	.000	.826	.924	.000	.846	.000	.945	.000	.875	.647	.000	.886	.882	.938	.875	.000	.961	.902

TechniQuest Corporation

4105 US Route 1, Suite # 14
 Monmouth Junction, NJ 08852
 Phone: 732-274-9500 Fax: 732-274-9510

File Name : 41-A
 Site Code : A
 Start Date : 4/30/2008
 Page No : 6



TechniQuest Corporation
 4105 US Route 1, Suite # 14
 Monmouth Junction, NJ 08852
 Phone: 732-274-9500 Fax: 732-274-9510

File Name : 41-B
 Site Code : B
 Start Date : 5/1/2008
 Page No : 1

Groups Printed- Car - Light Truck - Heavy Truck

Start Time	Summit Avenue Southbound					Communiapaw Avenue Westbound					Garfield Avenue Northbound					Communiapaw Avenue Eastbound					Int. Total
	Left	Thru	Right to Communiapaw Ave	LT to Garfield Ave	App. Total	Left	Thru	Right	Peds	App. Total	Left	Thru	Right	Peds	App. Total	Left	Thru	Right	Peds	App. Total	
07:00 AM	1	9	48	2	60	5	23	15	0	43	10	115	5	0	130	16	45	16	0	77	310
07:15 AM	0	6	60	0	66	3	23	16	0	42	9	106	4	0	119	20	31	17	0	68	295
07:30 AM	0	2	66	0	68	7	22	11	0	40	9	73	3	0	85	34	41	21	0	96	289
07:45 AM	2	11	73	0	86	7	27	10	0	44	8	91	7	0	106	66	61	21	0	148	384
Total	3	28	247	2	280	22	95	52	0	169	36	385	19	0	440	136	178	75	0	389	1278
08:00 AM	2	5	77	0	84	7	31	15	0	53	11	82	6	0	99	88	53	23	0	164	400
08:15 AM	0	11	99	0	110	14	26	11	0	51	5	67	6	0	78	55	64	19	0	138	377
08:30 AM	0	7	92	2	101	24	25	15	0	64	6	77	5	0	88	42	65	26	0	133	386
08:45 AM	0	16	78	1	95	10	15	12	0	37	6	32	2	0	40	28	55	28	0	111	283
Total	2	39	346	3	390	55	97	53	0	205	28	258	19	0	305	213	237	96	0	546	1446
09:00 AM	1	12	69	2	84	5	17	5	0	27	3	29	5	0	37	20	55	27	0	102	250
09:15 AM	0	9	70	0	79	12	32	9	0	53	10	56	11	0	77	14	32	16	0	62	271
09:30 AM	2	13	54	2	71	15	32	11	0	58	11	61	7	0	79	6	34	23	0	63	271
09:45 AM	0	5	77	2	84	9	28	10	0	47	11	59	8	0	78	10	31	25	0	66	275
Total	3	39	270	6	318	41	109	35	0	185	35	205	31	0	271	50	152	91	0	293	1067
*** BREAK ***																					
11:00 AM	0	9	57	0	66	12	23	8	0	43	17	59	7	0	83	13	32	12	0	57	249
11:15 AM	0	7	81	4	92	9	27	6	0	42	5	37	7	0	49	13	33	23	0	69	252
11:30 AM	2	15	65	3	85	2	19	7	0	28	14	29	3	0	46	13	44	25	0	82	241
11:45 AM	0	8	76	1	85	1	14	4	2	21	11	23	1	0	35	22	54	23	0	99	240
Total	2	39	279	8	328	24	83	25	2	134	47	148	18	0	213	61	163	83	0	307	982
12:00 PM	1	6	76	1	84	18	31	11	0	60	17	34	8	0	59	13	33	15	0	61	264
12:15 PM	0	13	77	1	91	5	20	5	0	30	5	20	5	0	30	17	41	22	0	80	231
12:30 PM	0	10	71	2	83	11	29	14	0	54	16	74	9	0	99	25	30	22	0	77	313
12:45 PM	1	13	75	1	90	12	37	19	0	68	6	51	10	0	67	12	30	28	0	70	295
Total	2	42	299	5	348	46	117	49	0	212	44	179	32	0	255	67	134	87	0	288	1103
01:00 PM	0	4	54	5	63	10	25	4	0	39	10	69	5	0	84	17	31	14	0	62	248
01:15 PM	1	15	68	3	87	6	7	3	0	16	3	33	2	0	38	20	38	31	0	89	230
01:30 PM	1	11	87	2	101	6	4	3	0	13	7	27	2	1	37	15	39	34	0	88	239
01:45 PM	1	10	71	1	83	9	13	11	0	33	3	27	13	0	43	14	31	27	0	72	231
Total	3	40	280	11	334	31	49	21	0	101	23	156	22	1	202	66	139	106	0	311	948

TechniQuest Corporation
 4105 US Route 1, Suite # 14
 Monmouth Junction, NJ 08852
 Phone: 732-274-9500 Fax: 732-274-9510

File Name : 41-B
 Site Code : B
 Start Date : 5/1/2008
 Page No : 2

Groups Printed- Car - Light Truck - Heavy Truck

Start Time	Summit Avenue Southbound					Communipaw Avenue Westbound					Garfield Avenue Northbound					Communipaw Avenue Eastbound					Int. Total
	Left	Thru	Right to Communipaw Ave	LT to Garfield Ave	App. Total	Left	Thru	Right	Peds	App. Total	Left	Thru	Right	Peds	App. Total	Left	Thru	Right	Peds	App. Total	
*** BREAK ***																					
03:00 PM	0	5	96	1	102	11	32	13	0	56	10	40	5	0	55	18	35	24	0	77	290
03:15 PM	0	4	100	0	104	16	32	12	0	60	11	43	4	0	58	18	36	26	0	80	302
03:30 PM	0	8	118	0	126	20	38	17	0	75	15	79	10	0	104	25	46	23	0	94	399
03:45 PM	0	5	105	1	111	21	25	18	0	64	19	76	10	0	105	15	56	36	0	107	387
Total	0	22	419	2	443	68	127	60	0	255	55	238	29	0	322	76	173	109	0	358	1378
04:00 PM	0	7	98	0	105	23	49	20	0	92	19	75	9	0	103	20	43	27	0	90	390
04:15 PM	0	7	121	0	128	22	36	16	0	74	14	80	11	0	105	18	46	24	0	88	395
04:30 PM	1	14	113	0	128	24	28	9	0	61	9	78	9	0	96	18	48	31	0	97	382
04:45 PM	0	11	113	0	124	15	40	8	0	63	20	49	6	0	75	22	47	17	0	86	348
Total	1	39	445	0	485	84	153	53	0	290	62	282	35	0	379	78	184	99	0	361	1515
05:00 PM	0	3	117	1	121	30	60	19	0	109	16	80	9	0	105	26	68	19	0	113	448
05:15 PM	0	4	124	2	130	24	27	7	0	58	9	56	6	0	71	27	49	23	0	99	358
05:30 PM	1	11	123	1	136	16	35	15	1	67	10	51	4	0	65	19	51	29	0	99	367
05:45 PM	0	8	112	0	120	13	26	7	0	46	13	81	10	0	104	15	55	24	0	94	364
Total	1	26	476	4	507	83	148	48	1	280	48	268	29	0	345	87	223	95	0	405	1537
Grand Total	17	314	3061	41	3433	454	978	396	3	1831	378	2119	234	1	2732	834	1583	841	0	3258	11254
Apprch %	0.5	9.1	89.2	1.2		24.8	53.4	21.6	0.2		13.8	77.6	8.6	0		25.6	48.6	25.8	0		
Total %	0.2	2.8	27.2	0.4	30.5	4	8.7	3.5	0	16.3	3.4	18.8	2.1	0	24.3	7.4	14.1	7.5	0	28.9	
Car	17	294	2900	37	3248	433	869	367	3	1672	329	2009	224	1	2563	803	1427	747	0	2977	10460
% Car	100	93.6	94.7	90.2	94.6	95.4	88.9	92.7	100	91.3	87	94.8	95.7	100	93.8	96.3	90.1	88.8	0	91.4	92.9
Light Truck	0	16	146	3	165	10	63	15	0	88	11	85	6	0	102	28	135	45	0	208	563
% Light Truck	0	5.1	4.8	7.3	4.8	2.2	6.4	3.8	0	4.8	2.9	4	2.6	0	3.7	3.4	8.5	5.4	0	6.4	5
Heavy Truck	0	4	15	1	20	11	46	14	0	71	38	25	4	0	67	3	21	49	0	73	231
% Heavy Truck	0	1.3	0.5	2.4	0.6	2.4	4.7	3.5	0	3.9	10.1	1.2	1.7	0	2.5	0.4	1.3	5.8	0	2.2	2.1

TechniQuest Corporation

4105 US Route 1, Suite # 14
 Monmouth Junction, NJ 08852
 Phone: 732-274-9500 Fax: 732-274-9510

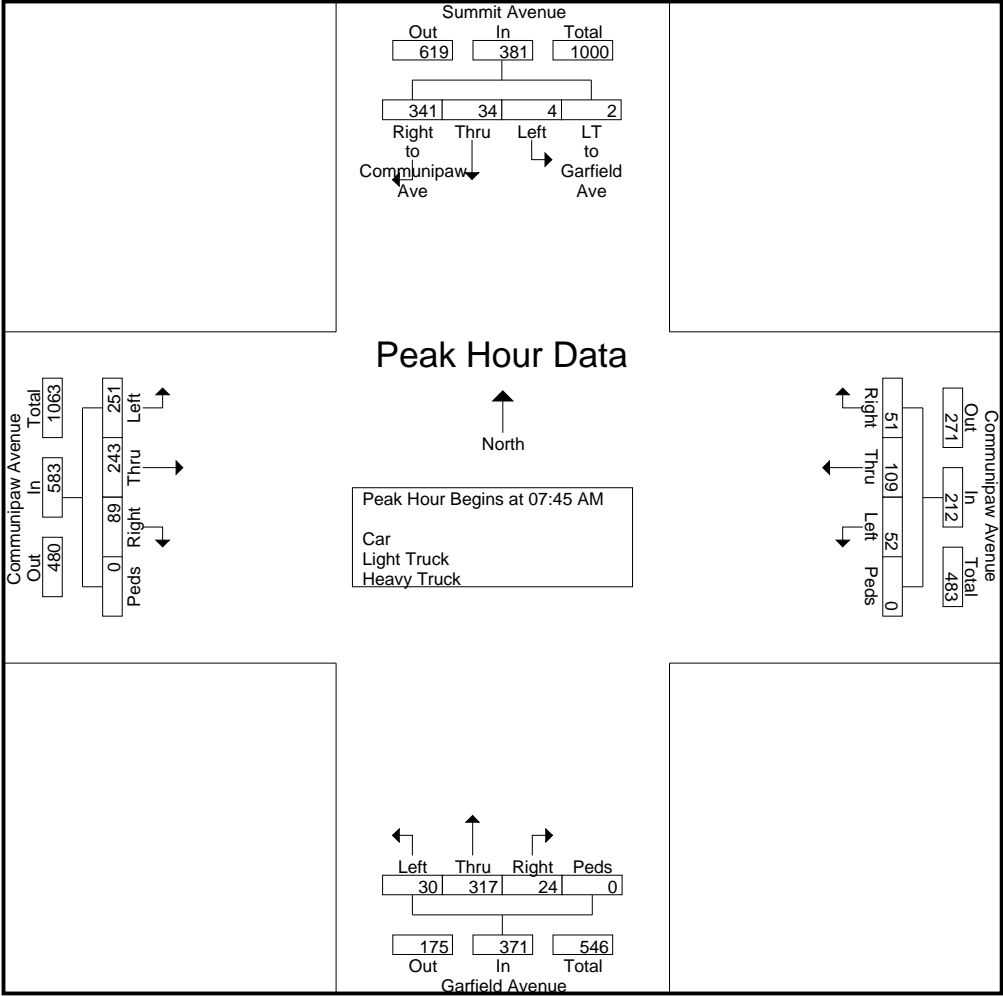
File Name : 41-B
 Site Code : B
 Start Date : 5/1/2008
 Page No : 3

Start Time	Summit Avenue Southbound					Communipaw Avenue Westbound					Garfield Avenue Northbound					Communipaw Avenue Eastbound					Int. Total
	Left	Thru	Right to Communipaw Ave	LT to Garfield Ave	App. Total	Left	Thru	Right	Peds	App. Total	Left	Thru	Right	Peds	App. Total	Left	Thru	Right	Peds	App. Total	
Peak Hour Analysis From 07:45 AM to 08:30 AM - Peak 1 of 1																					
Peak Hour for Entire Intersection Begins at 07:45 AM																					
07:45 AM	2	11	73	0	86	7	27	10	0	44	8	91	7	0	106	66	61	21	0	148	384
08:00 AM	2	5	77	0	84	7	31	15	0	53	11	82	6	0	99	88	53	23	0	164	400
08:15 AM	0	11	99	0	110	14	26	11	0	51	5	67	6	0	78	55	64	19	0	138	377
08:30 AM	0	7	92	2	101	24	25	15	0	64	6	77	5	0	88	42	65	26	0	133	386
Total Volume	4	34	341	2	381	52	109	51	0	212	30	317	24	0	371	251	243	89	0	583	1547
% App. Total	1	8.9	89.5	0.5		24.5	51.4	24.1	0		8.1	85.4	6.5	0		43.1	41.7	15.3	0		
PHF	.500	.773	.861	.250	.866	.542	.879	.850	.000	.828	.682	.871	.857	.000	.875	.713	.935	.856	.000	.889	.967

TechniQuest Corporation

4105 US Route 1, Suite # 14
 Monmouth Junction, NJ 08852
 Phone: 732-274-9500 Fax: 732-274-9510

File Name : 41-B
 Site Code : B
 Start Date : 5/1/2008
 Page No : 4



TechniQuest Corporation

4105 US Route 1, Suite # 14
 Monmouth Junction, NJ 08852
 Phone: 732-274-9500 Fax: 732-274-9510

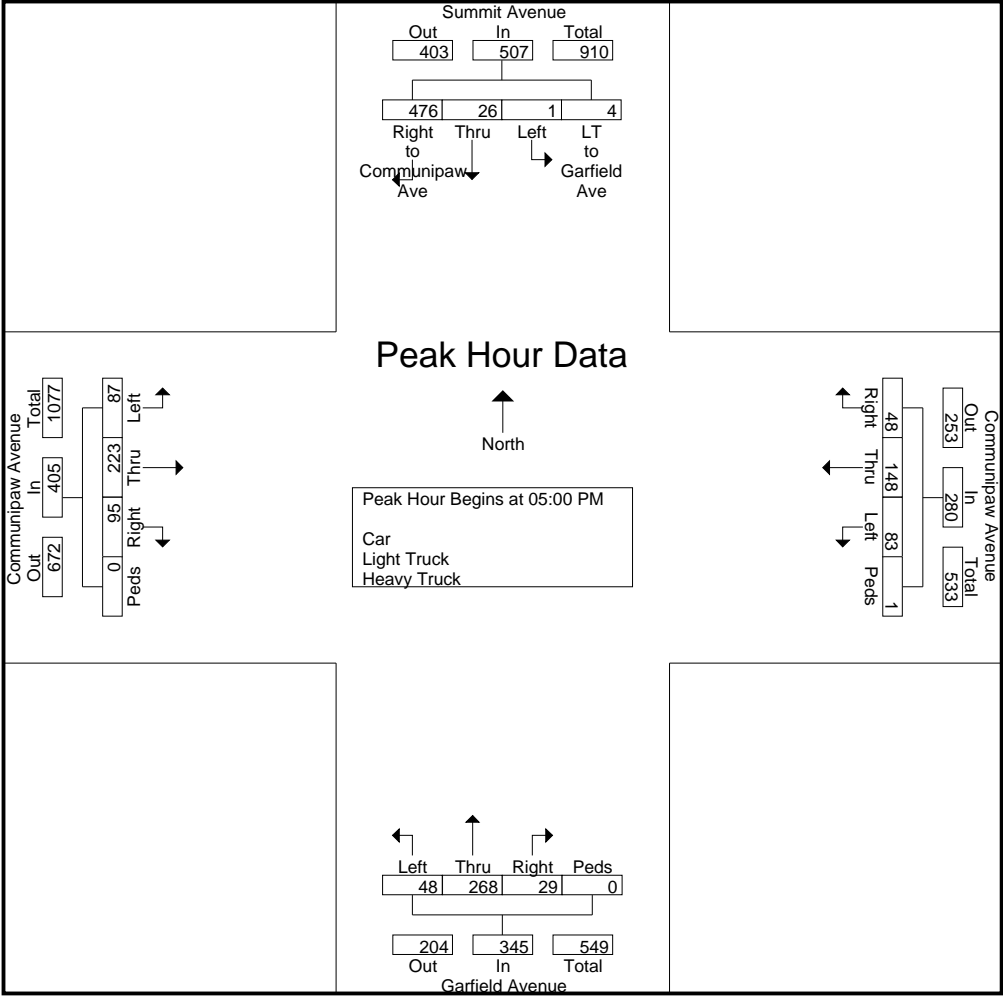
File Name : 41-B
 Site Code : B
 Start Date : 5/1/2008
 Page No : 5

Start Time	Summit Avenue Southbound					Communipaw Avenue Westbound					Garfield Avenue Northbound					Communipaw Avenue Eastbound					Int. Total
	Left	Thru	Right to Communipaw Ave	LT to Garfield Ave	App. Total	Left	Thru	Right	Peds	App. Total	Left	Thru	Right	Peds	App. Total	Left	Thru	Right	Peds	App. Total	
Peak Hour Analysis From 05:00 PM to 05:45 PM - Peak 1 of 1																					
Peak Hour for Entire Intersection Begins at 05:00 PM																					
05:00 PM	0	3	117	1	121	30	60	19	0	109	16	80	9	0	105	26	68	19	0	113	448
05:15 PM	0	4	124	2	130	24	27	7	0	58	9	56	6	0	71	27	49	23	0	99	358
05:30 PM	1	11	123	1	136	16	35	15	1	67	10	51	4	0	65	19	51	29	0	99	367
05:45 PM	0	8	112	0	120	13	26	7	0	46	13	81	10	0	104	15	55	24	0	94	364
Total Volume	1	26	476	4	507	83	148	48	1	280	48	268	29	0	345	87	223	95	0	405	1537
% App. Total	0.2	5.1	93.9	0.8		29.6	52.9	17.1	0.4		13.9	77.7	8.4	0		21.5	55.1	23.5	0		
PHF	.250	.591	.960	.500	.932	.692	.617	.632	.250	.642	.750	.827	.725	.000	.821	.806	.820	.819	.000	.896	.858

TechniQuest Corporation

4105 US Route 1, Suite # 14
 Monmouth Junction, NJ 08852
 Phone: 732-274-9500 Fax: 732-274-9510

File Name : 41-B
 Site Code : B
 Start Date : 5/1/2008
 Page No : 6



TechniQuest Corporation
 4105 US Route 1, Suite # 14
 Monmouth Junction, NJ 08852
 Phone: 732-274-9500 Fax: 732-274-9510

File Name : 41-C
 Site Code : C
 Start Date : 4/30/2008
 Page No : 1

Groups Printed- Car - Light Truck - Heavy Truck

Start Time	Pacific Avenue Southbound					Communipaw Avenue Westbound					Pacific Avenue Northbound					Communipaw Avenue Eastbound					Int. Total
	Left	Thru	Right	Peds	App. Total	Left	Thru	Right	Peds	App. Total	Left	Thru	Right	Peds	App. Total	Left	Thru	Right	Peds	App. Total	
07:00 AM	3	24	9	0	36	1	16	7	0	24	7	58	7	0	72	11	19	2	0	32	164
07:15 AM	3	22	8	0	33	2	13	8	0	23	5	61	9	0	75	12	22	1	0	35	166
07:30 AM	4	21	12	0	37	5	21	10	0	36	5	74	4	0	83	16	23	2	0	41	197
07:45 AM	6	36	10	0	52	5	20	10	0	35	7	97	4	0	108	23	22	3	0	48	243
Total	16	103	39	0	158	13	70	35	0	118	24	290	24	0	338	62	86	8	0	156	770
08:00 AM	3	49	14	0	66	4	21	16	0	41	4	102	6	0	112	23	27	6	0	56	275
08:15 AM	7	35	9	0	51	8	10	8	0	26	9	73	15	0	97	27	25	2	0	54	228
08:30 AM	13	57	15	0	85	5	20	6	0	31	7	75	10	0	92	32	26	1	0	59	267
08:45 AM	8	28	22	0	58	2	25	5	0	32	5	53	8	0	66	24	23	2	0	49	205
Total	31	169	60	0	260	19	76	35	0	130	25	303	39	0	367	106	101	11	0	218	975
09:00 AM	4	29	10	0	43	2	17	11	0	30	9	39	9	0	57	8	24	6	0	38	168
09:15 AM	2	23	9	0	34	5	19	3	0	27	5	42	7	0	54	22	21	6	0	49	164
09:30 AM	3	23	8	0	34	2	16	7	0	25	7	40	3	0	50	10	23	9	0	42	151
09:45 AM	3	16	12	0	31	2	6	8	0	16	7	48	4	0	59	14	15	4	0	33	139
Total	12	91	39	0	142	11	58	29	0	98	28	169	23	0	220	54	83	25	0	162	622
*** BREAK ***																					
11:00 AM	5	25	13	0	43	0	13	5	0	18	6	24	1	0	31	18	14	6	0	38	130
11:15 AM	6	21	12	0	39	3	15	4	0	22	8	23	2	0	33	13	17	11	0	41	135
11:30 AM	1	43	10	0	54	7	14	3	0	24	8	20	7	0	35	14	20	6	0	40	153
11:45 AM	6	34	23	0	63	4	17	1	0	22	3	26	4	0	33	21	27	4	0	52	170
Total	18	123	58	0	199	14	59	13	0	86	25	93	14	0	132	66	78	27	0	171	588
12:00 PM	3	16	18	0	37	5	17	3	0	25	8	37	9	0	54	23	13	3	0	39	155
12:15 PM	4	29	13	0	46	3	11	7	0	21	8	20	6	0	34	19	18	2	0	39	140
12:30 PM	5	30	22	0	57	5	18	6	0	29	5	23	3	0	31	13	16	3	0	32	149
12:45 PM	7	28	16	0	51	2	12	3	0	17	5	41	5	0	51	24	21	5	0	50	169
Total	19	103	69	0	191	15	58	19	0	92	26	121	23	0	170	79	68	13	0	160	613
01:00 PM	8	33	15	0	56	5	18	6	0	29	2	45	5	0	52	24	20	2	0	46	183
01:15 PM	5	27	12	0	44	5	15	5	0	25	7	30	8	0	45	13	10	6	0	29	143
01:30 PM	6	28	6	0	40	6	9	7	0	22	6	27	2	0	35	16	18	5	0	39	136
01:45 PM	5	39	12	0	56	8	10	2	0	20	5	37	4	0	46	26	19	3	0	48	170
Total	24	127	45	0	196	24	52	20	0	96	20	139	19	0	178	79	67	16	0	162	632

TechniQuest Corporation

4105 US Route 1, Suite # 14
 Monmouth Junction, NJ 08852
 Phone: 732-274-9500 Fax: 732-274-9510

File Name : 41-C
 Site Code : C
 Start Date : 4/30/2008
 Page No : 2

Groups Printed- Car - Light Truck - Heavy Truck

Start Time	Pacific Avenue Southbound					Communipaw Avenue Westbound					Pacific Avenue Northbound					Communipaw Avenue Eastbound					Int. Total
	Left	Thru	Right	Peds	App. Total	Left	Thru	Right	Peds	App. Total	Left	Thru	Right	Peds	App. Total	Left	Thru	Right	Peds	App. Total	
*** BREAK ***																					
03:00 PM	6	67	26	0	99	5	22	9	0	36	5	44	9	0	58	25	26	3	0	54	247
03:15 PM	12	72	15	0	99	4	12	3	0	19	10	51	3	0	64	13	12	6	0	31	213
03:30 PM	9	59	24	0	92	7	17	5	0	29	9	44	8	0	61	20	19	8	0	47	229
03:45 PM	9	50	15	0	74	4	21	4	0	29	4	44	6	0	54	20	20	3	0	43	200
Total	36	248	80	0	364	20	72	21	0	113	28	183	26	0	237	78	77	20	0	175	889
04:00 PM	6	45	15	0	66	4	31	11	0	46	9	35	4	0	48	13	18	1	0	32	192
04:15 PM	7	51	20	0	78	1	29	7	0	37	7	42	8	0	57	17	18	3	0	38	210
04:30 PM	7	54	20	0	81	5	22	12	0	39	6	40	6	0	52	19	18	2	0	39	211
04:45 PM	9	47	18	0	74	8	25	4	0	37	12	39	3	0	54	25	21	4	0	50	215
Total	29	197	73	0	299	18	107	34	0	159	34	156	21	0	211	74	75	10	0	159	828
05:00 PM	5	45	21	0	71	10	29	4	0	43	19	53	3	0	75	21	16	5	0	42	231
05:15 PM	5	61	24	0	90	3	32	8	0	43	5	41	4	0	50	25	24	7	0	56	239
05:30 PM	14	43	28	0	85	6	31	11	0	48	16	48	2	0	66	16	30	4	0	50	249
05:45 PM	12	47	18	0	77	10	31	9	0	50	12	46	3	0	61	18	27	8	0	53	241
Total	36	196	91	0	323	29	123	32	0	184	52	188	12	0	252	80	97	24	0	201	960
Grand Total	221	1357	554	0	2132	163	675	238	0	1076	262	1642	201	0	2105	678	732	154	0	1564	6877
Apprch %	10.4	63.6	26	0		15.1	62.7	22.1	0		12.4	78	9.5	0		43.4	46.8	9.8	0		
Total %	3.2	19.7	8.1	0	31	2.4	9.8	3.5	0	15.6	3.8	23.9	2.9	0	30.6	9.9	10.6	2.2	0	22.7	
Car	207	1328	502	0	2037	160	646	220	0	1026	241	1596	196	0	2033	614	696	138	0	1448	6544
% Car	93.7	97.9	90.6	0	95.5	98.2	95.7	92.4	0	95.4	92	97.2	97.5	0	96.6	90.6	95.1	89.6	0	92.6	95.2
Light Truck	13	19	44	0	76	1	17	14	0	32	6	30	4	0	40	61	23	8	0	92	240
% Light Truck	5.9	1.4	7.9	0	3.6	0.6	2.5	5.9	0	3	2.3	1.8	2	0	1.9	9	3.1	5.2	0	5.9	3.5
Heavy Truck	1	10	8	0	19	2	12	4	0	18	15	16	1	0	32	3	13	8	0	24	93
% Heavy Truck	0.5	0.7	1.4	0	0.9	1.2	1.8	1.7	0	1.7	5.7	1	0.5	0	1.5	0.4	1.8	5.2	0	1.5	1.4

TechniQuest Corporation

4105 US Route 1, Suite # 14
 Monmouth Junction, NJ 08852
 Phone: 732-274-9500 Fax: 732-274-9510

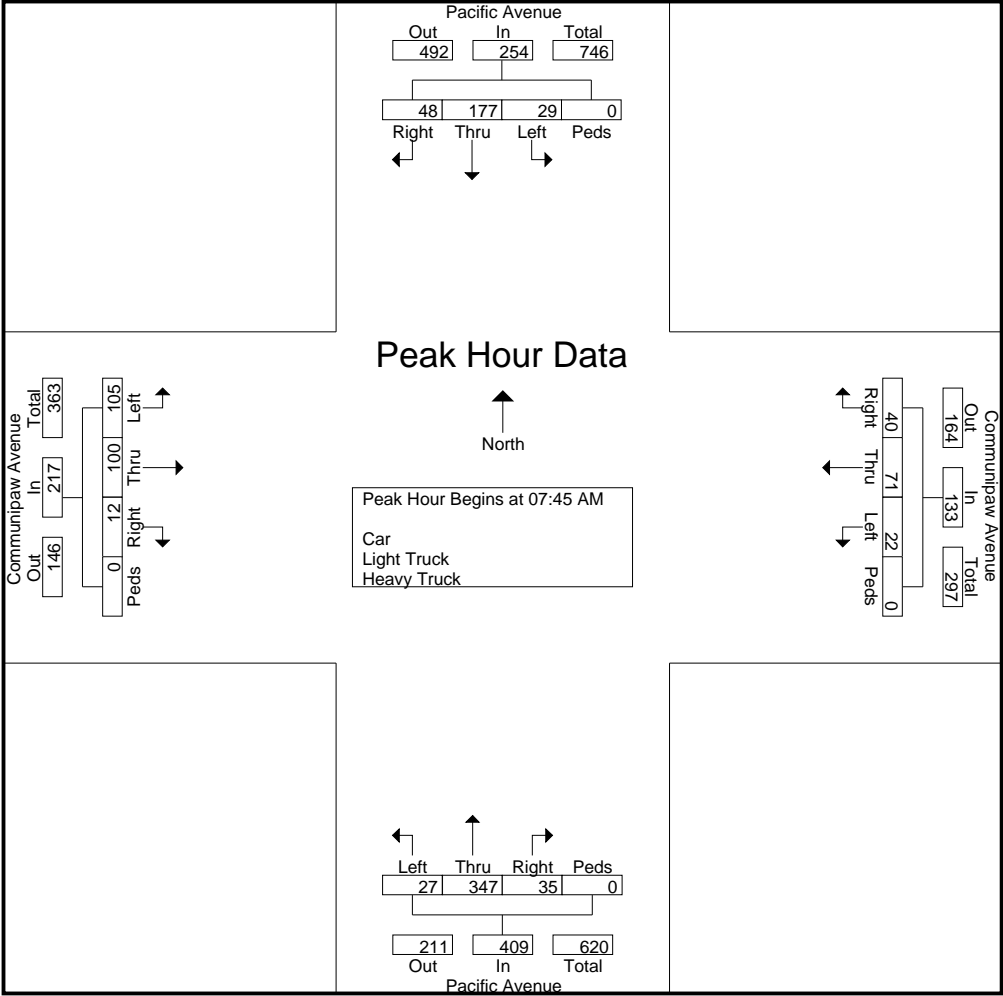
File Name : 41-C
 Site Code : C
 Start Date : 4/30/2008
 Page No : 3

Start Time	Pacific Avenue Southbound					Communipaw Avenue Westbound					Pacific Avenue Northbound					Communipaw Avenue Eastbound					Int. Total
	Left	Thru	Right	Peds	App. Total	Left	Thru	Right	Peds	App. Total	Left	Thru	Right	Peds	App. Total	Left	Thru	Right	Peds	App. Total	
Peak Hour Analysis From 07:45 AM to 08:30 AM - Peak 1 of 1																					
Peak Hour for Entire Intersection Begins at 07:45 AM																					
07:45 AM	6	36	10	0	52	5	20	10	0	35	7	97	4	0	108	23	22	3	0	48	243
08:00 AM	3	49	14	0	66	4	21	16	0	41	4	102	6	0	112	23	27	6	0	56	275
08:15 AM	7	35	9	0	51	8	10	8	0	26	9	73	15	0	97	27	25	2	0	54	228
08:30 AM	13	57	15	0	85	5	20	6	0	31	7	75	10	0	92	32	26	1	0	59	267
Total Volume	29	177	48	0	254	22	71	40	0	133	27	347	35	0	409	105	100	12	0	217	1013
% App. Total	11.4	69.7	18.9	0		16.5	53.4	30.1	0		6.6	84.8	8.6	0		48.4	46.1	5.5	0		
PHF	.558	.776	.800	.000	.747	.688	.845	.625	.000	.811	.750	.850	.583	.000	.913	.820	.926	.500	.000	.919	.921

TechniQuest Corporation

4105 US Route 1, Suite # 14
 Monmouth Junction, NJ 08852
 Phone: 732-274-9500 Fax: 732-274-9510

File Name : 41-C
 Site Code : C
 Start Date : 4/30/2008
 Page No : 4



TechniQuest Corporation

4105 US Route 1, Suite # 14
 Monmouth Junction, NJ 08852
 Phone: 732-274-9500 Fax: 732-274-9510

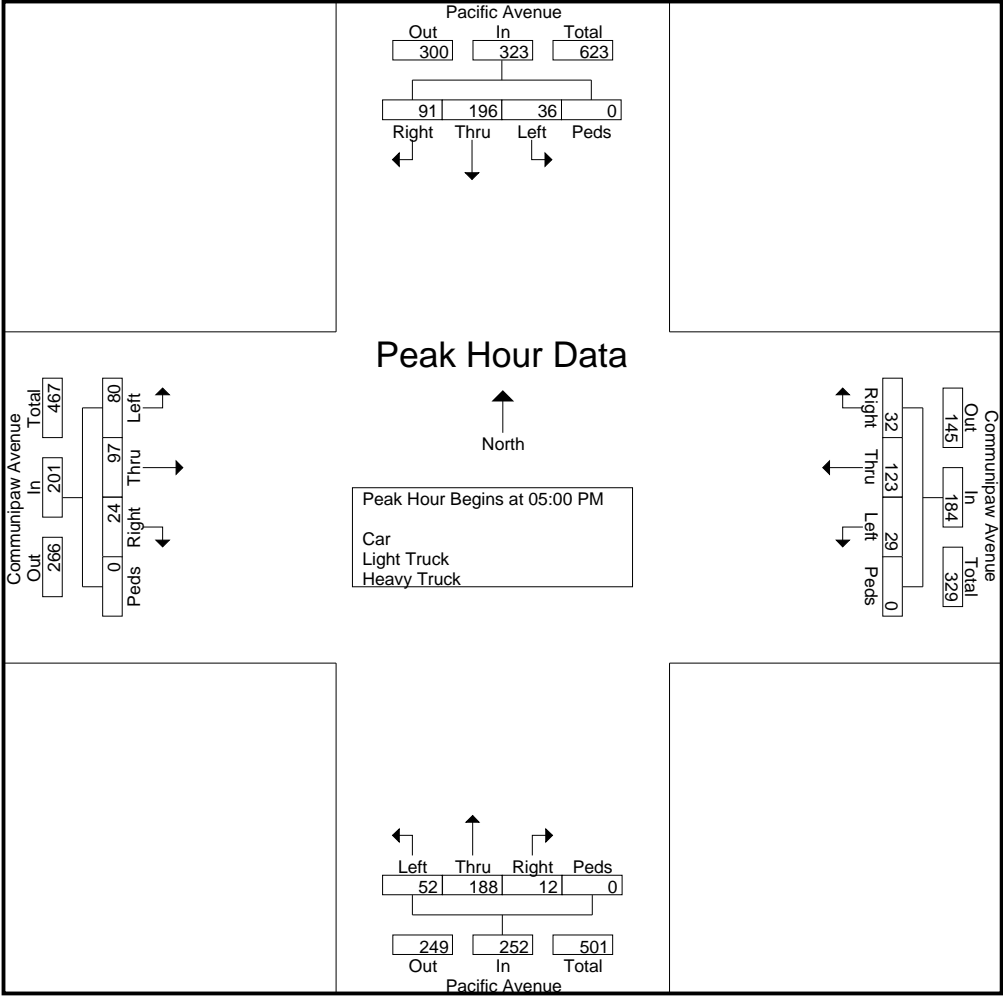
File Name : 41-C
 Site Code : C
 Start Date : 4/30/2008
 Page No : 5

Start Time	Pacific Avenue Southbound					Communipaw Avenue Westbound					Pacific Avenue Northbound					Communipaw Avenue Eastbound					Int. Total
	Left	Thru	Right	Peds	App. Total	Left	Thru	Right	Peds	App. Total	Left	Thru	Right	Peds	App. Total	Left	Thru	Right	Peds	App. Total	
Peak Hour Analysis From 05:00 PM to 05:45 PM - Peak 1 of 1																					
Peak Hour for Entire Intersection Begins at 05:00 PM																					
05:00 PM	5	45	21	0	71	10	29	4	0	43	19	53	3	0	75	21	16	5	0	42	231
05:15 PM	5	61	24	0	90	3	32	8	0	43	5	41	4	0	50	25	24	7	0	56	239
05:30 PM	14	43	28	0	85	6	31	11	0	48	16	48	2	0	66	16	30	4	0	50	249
05:45 PM	12	47	18	0	77	10	31	9	0	50	12	46	3	0	61	18	27	8	0	53	241
Total Volume	36	196	91	0	323	29	123	32	0	184	52	188	12	0	252	80	97	24	0	201	960
% App. Total	11.1	60.7	28.2	0		15.8	66.8	17.4	0		20.6	74.6	4.8	0		39.8	48.3	11.9	0		
PHF	.643	.803	.813	.000	.897	.725	.961	.727	.000	.920	.684	.887	.750	.000	.840	.800	.808	.750	.000	.897	.964

TechniQuest Corporation

4105 US Route 1, Suite # 14
 Monmouth Junction, NJ 08852
 Phone: 732-274-9500 Fax: 732-274-9510

File Name : 41-C
 Site Code : C
 Start Date : 4/30/2008
 Page No : 6



TechniQuest Corporation

4105 US Route 1, Suite # 14
 Monmouth Junction, NJ 08852
 Phone: 732-274-9500 Fax: 732-274-9510

File Name : 41-C-AM May08
 Site Code : C
 Start Date : 5/27/2008
 Page No : 1

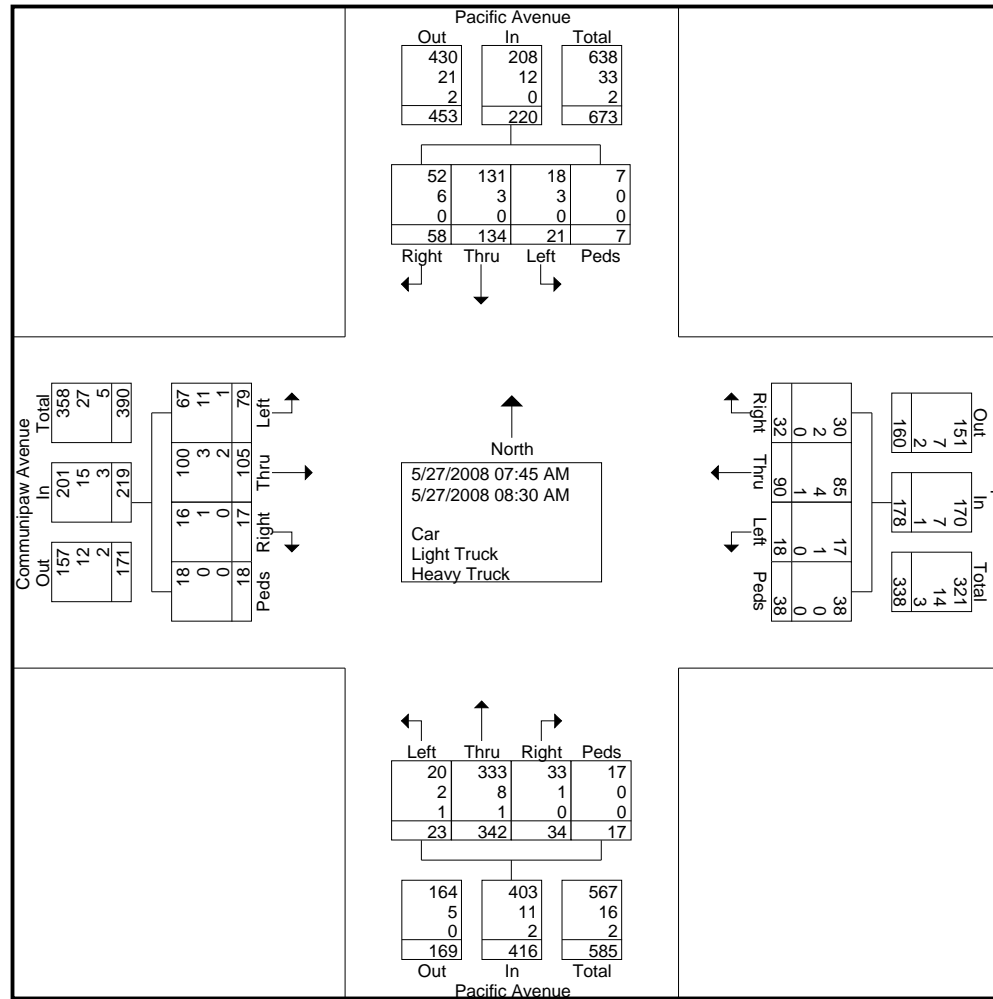
Groups Printed- Car - Light Truck - Heavy Truck

Start Time	Pacific Avenue Southbound					Communipaw Avenue Westbound					Pacific Avenue Northbound					Communipaw Avenue Eastbound					Int. Total
	Left	Thru	Right	Peds	App. Total	Left	Thru	Right	Peds	App. Total	Left	Thru	Right	Peds	App. Total	Left	Thru	Right	Peds	App. Total	
07:45 AM	5	26	9	2	42	8	23	10	6	47	4	97	7	4	112	12	21	3	6	42	243
Total	5	26	9	2	42	8	23	10	6	47	4	97	7	4	112	12	21	3	6	42	243
08:00 AM	4	29	13	0	46	4	25	9	13	51	8	104	9	0	121	19	21	4	7	51	269
08:15 AM	4	39	15	0	58	4	18	8	11	41	6	76	12	3	97	20	26	7	1	54	250
08:30 AM	8	40	21	5	74	2	24	5	8	39	5	65	6	10	86	28	37	3	4	72	271
Grand Total	21	134	58	7	220	18	90	32	38	178	23	342	34	17	416	79	105	17	18	219	1033
Apprch %	9.5	60.9	26.4	3.2		10.1	50.6	18	21.3		5.5	82.2	8.2	4.1		36.1	47.9	7.8	8.2		
Total %	2	13	5.6	0.7	21.3	1.7	8.7	3.1	3.7	17.2	2.2	33.1	3.3	1.6	40.3	7.6	10.2	1.6	1.7	21.2	
Car	18	131	52	7	208	17	85	30	38	170	20	333	33	17	403	67	100	16	18	201	982
% Car	85.7	97.8	89.7	100	94.5	94.4	94.4	93.8	100	95.5	87	97.4	97.1	100	96.9	84.8	95.2	94.1	100	91.8	95.1
Light Truck	3	3	6	0	12	1	4	2	0	7	2	8	1	0	11	11	3	1	0	15	45
% Light Truck	14.3	2.2	10.3	0	5.5	5.6	4.4	6.2	0	3.9	8.7	2.3	2.9	0	2.6	13.9	2.9	5.9	0	6.8	4.4
Heavy Truck	0	0	0	0	0	0	1	0	0	1	1	1	0	0	2	1	2	0	0	3	6
% Heavy Truck	0	0	0	0	0	0	1.1	0	0	0.6	4.3	0.3	0	0	0.5	1.3	1.9	0	0	1.4	0.6

TechniQuest Corporation

4105 US Route 1, Suite # 14
 Monmouth Junction, NJ 08852
 Phone: 732-274-9500 Fax: 732-274-9510

File Name : 41-C-AM May08
 Site Code : C
 Start Date : 5/27/2008
 Page No : 2



TechniQuest Corporation

4105 US Route 1, Suite # 14
 Monmouth Junction, NJ 08852
 Phone: 732-274-9500 Fax: 732-274-9510

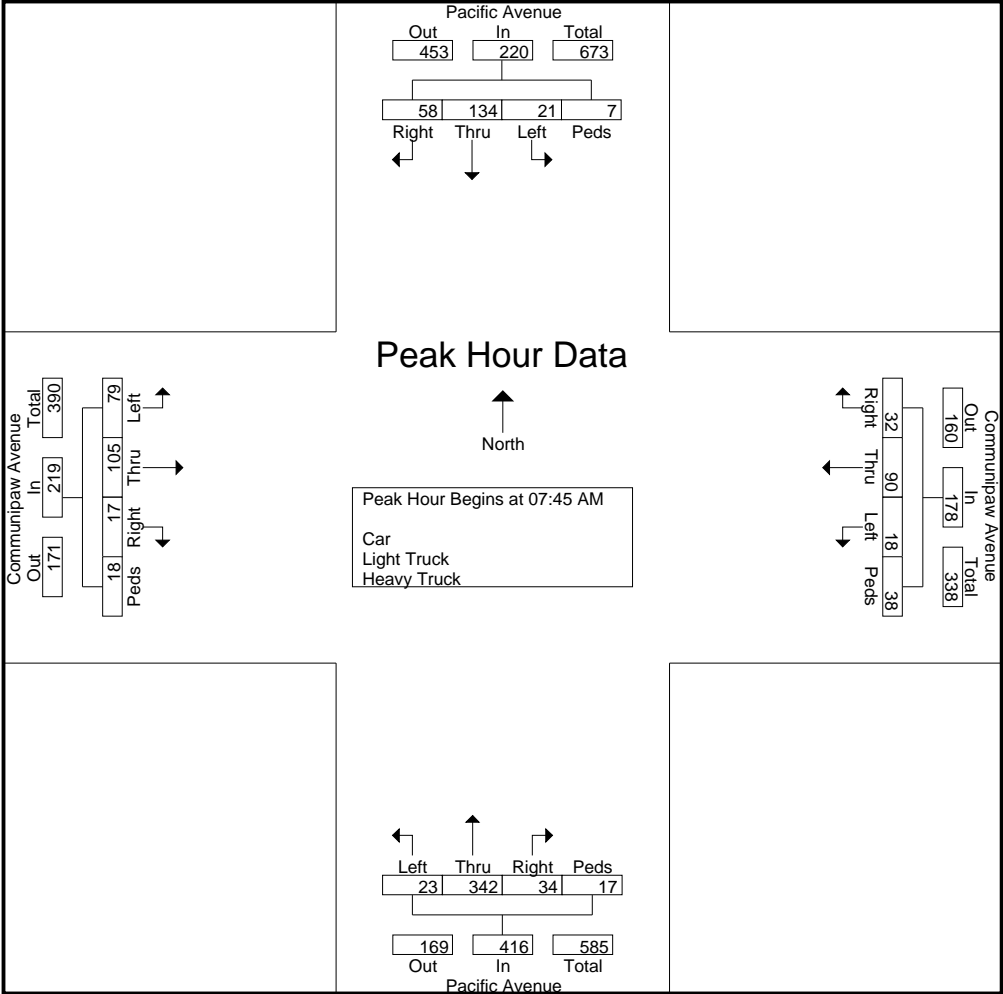
File Name : 41-C-AM May08
 Site Code : C
 Start Date : 5/27/2008
 Page No : 3

Start Time	Pacific Avenue Southbound					Communipaw Avenue Westbound					Pacific Avenue Northbound					Communipaw Avenue Eastbound					Int. Total
	Left	Thru	Right	Peds	App. Total	Left	Thru	Right	Peds	App. Total	Left	Thru	Right	Peds	App. Total	Left	Thru	Right	Peds	App. Total	
Peak Hour Analysis From 07:45 AM to 08:30 AM - Peak 1 of 1																					
Peak Hour for Entire Intersection Begins at 07:45 AM																					
07:45 AM	5	26	9	2	42	8	23	10	6	47	4	97	7	4	112	12	21	3	6	42	243
08:00 AM	4	29	13	0	46	4	25	9	13	51	8	104	9	0	121	19	21	4	7	51	269
08:15 AM	4	39	15	0	58	4	18	8	11	41	6	76	12	3	97	20	26	7	1	54	250
08:30 AM	8	40	21	5	74	2	24	5	8	39	5	65	6	10	86	28	37	3	4	72	271
Total Volume	21	134	58	7	220	18	90	32	38	178	23	342	34	17	416	79	105	17	18	219	1033
% App. Total	9.5	60.9	26.4	3.2		10.1	50.6	18	21.3		5.5	82.2	8.2	4.1		36.1	47.9	7.8	8.2		
PHF	.656	.838	.690	.350	.743	.563	.900	.800	.731	.873	.719	.822	.708	.425	.860	.705	.709	.607	.643	.760	.953

TechniQuest Corporation

4105 US Route 1, Suite # 14
 Monmouth Junction, NJ 08852
 Phone: 732-274-9500 Fax: 732-274-9510

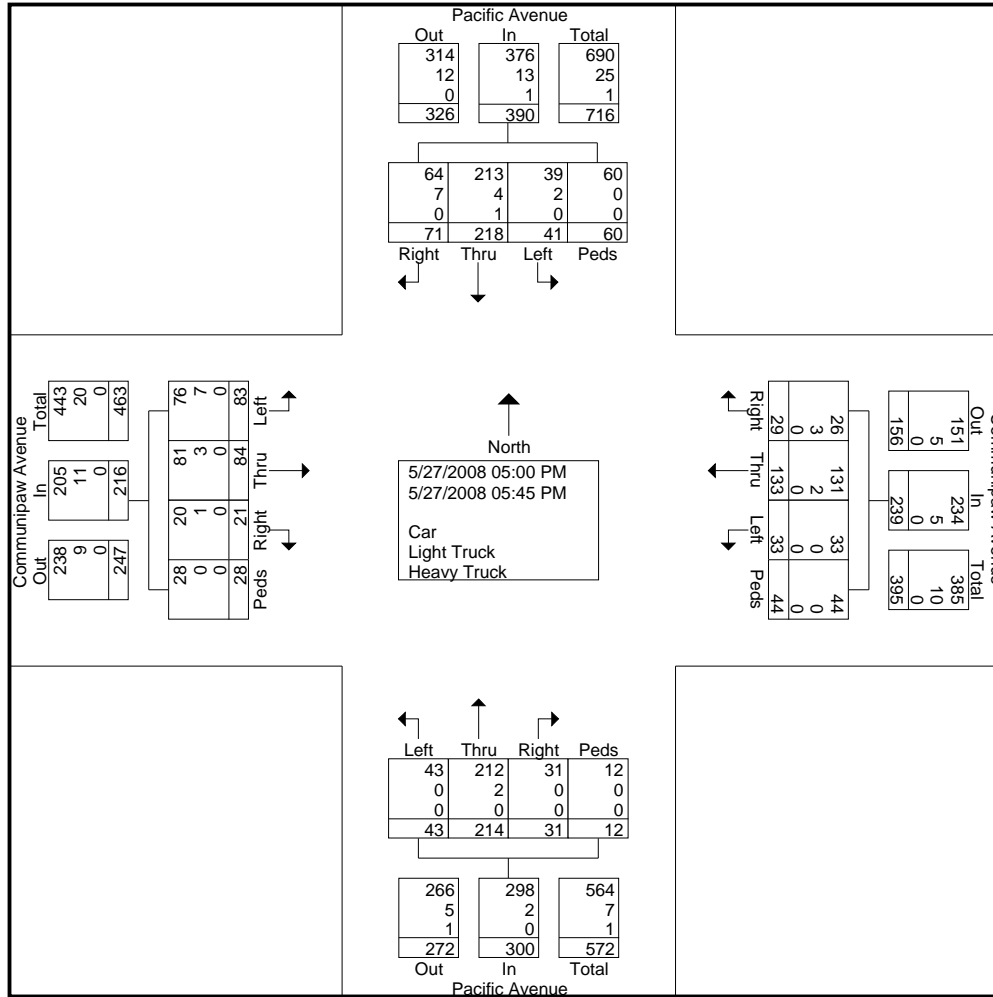
File Name : 41-C-AM May08
 Site Code : C
 Start Date : 5/27/2008
 Page No : 4



TechniQuest Corporation

4105 US Route 1, Suite # 14
 Monmouth Junction, NJ 08852
 Phone: 732-274-9500 Fax: 732-274-9510

File Name : 41-C-PM May08
 Site Code : C
 Start Date : 5/27/2008
 Page No : 2



TechniQuest Corporation

4105 US Route 1, Suite # 14
 Monmouth Junction, NJ 08852
 Phone: 732-274-9500 Fax: 732-274-9510

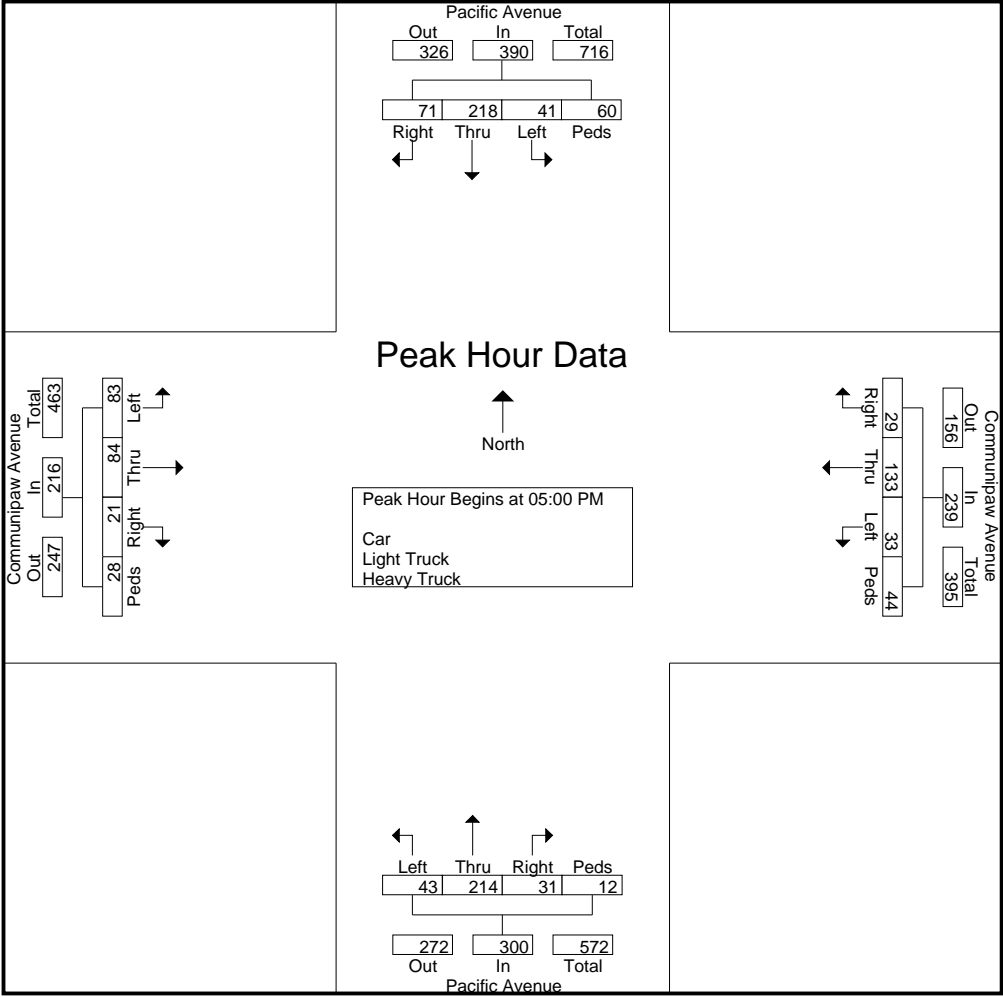
File Name : 41-C-PM May08
 Site Code : C
 Start Date : 5/27/2008
 Page No : 3

Start Time	Pacific Avenue Southbound					Communipaw Avenue Westbound					Pacific Avenue Northbound					Communipaw Avenue Eastbound					Int. Total
	Left	Thru	Right	Peds	App. Total	Left	Thru	Right	Peds	App. Total	Left	Thru	Right	Peds	App. Total	Left	Thru	Right	Peds	App. Total	
Peak Hour Analysis From 05:00 PM to 05:45 PM - Peak 1 of 1																					
Peak Hour for Entire Intersection Begins at 05:00 PM																					
05:00 PM	3	48	9	16	76	9	27	10	6	52	11	42	11	2	66	24	16	3	1	44	238
05:15 PM	14	52	22	18	106	8	32	8	11	59	13	67	3	3	86	21	22	9	10	62	313
05:30 PM	8	62	26	16	112	5	36	4	7	52	9	48	7	5	69	23	26	6	11	66	299
05:45 PM	16	56	14	10	96	11	38	7	20	76	10	57	10	2	79	15	20	3	6	44	295
Total Volume	41	218	71	60	390	33	133	29	44	239	43	214	31	12	300	83	84	21	28	216	1145
% App. Total	10.5	55.9	18.2	15.4		13.8	55.6	12.1	18.4		14.3	71.3	10.3	4		38.4	38.9	9.7	13		
PHF	.641	.879	.683	.833	.871	.750	.875	.725	.550	.786	.827	.799	.705	.600	.872	.865	.808	.583	.636	.818	.915

TechniQuest Corporation

4105 US Route 1, Suite # 14
 Monmouth Junction, NJ 08852
 Phone: 732-274-9500 Fax: 732-274-9510

File Name : 41-C-PM May08
 Site Code : C
 Start Date : 5/27/2008
 Page No : 4



TechniQuest Corporation
 4105 US Route 1, Suite # 14
 Monmouth Junction, NJ 08852
 Phone: 732-274-9500 Fax: 732-274-9510

File Name : 41-D
 Site Code : D
 Start Date : 5/1/2008
 Page No : 1

Groups Printed- Total Vehicles

Start Time	Southbound					Grand Street Westbound					Pacific Avenue Northbound					Grand Street Eastbound					Int. Total
	Left	Thru	Right	Peds	App. Total	Left	Thru	Right	Peds	App. Total	Left	Thru	Right	Peds	App. Total	Left	Thru	Right	Peds	App. Total	
07:00 AM	0	0	0	0	0	59	92	0	0	151	0	0	234	0	234	0	207	2	0	209	594
07:15 AM	0	0	0	0	0	62	117	0	0	179	0	0	255	0	255	0	219	0	0	219	653
07:30 AM	0	0	0	0	0	91	132	0	0	223	0	0	309	0	309	0	223	0	0	223	755
07:45 AM	0	0	0	0	0	93	120	0	0	213	0	0	302	0	302	0	237	2	0	239	754
Total	0	0	0	0	0	305	461	0	0	766	0	0	1100	0	1100	0	886	4	0	890	2756
08:00 AM	0	0	0	0	0	115	121	0	0	236	0	0	291	0	291	0	225	0	0	225	752
08:15 AM	0	0	0	0	0	117	120	0	0	237	0	0	283	0	283	0	214	0	0	214	734
08:30 AM	0	0	0	0	0	112	130	0	0	242	0	0	275	0	275	0	218	0	0	218	735
08:45 AM	0	0	0	0	0	96	114	0	0	210	0	0	218	0	218	0	177	1	0	178	606
Total	0	0	0	0	0	440	485	0	0	925	0	0	1067	0	1067	0	834	1	0	835	2827
09:00 AM	0	0	0	0	0	58	88	0	0	146	0	0	162	0	162	0	151	0	0	151	459
09:15 AM	0	0	0	0	0	67	80	0	0	147	0	0	147	0	147	0	170	2	0	172	466
09:30 AM	0	0	0	0	0	64	93	0	0	157	0	0	127	0	127	0	123	1	0	124	408
09:45 AM	0	0	0	0	0	70	96	0	0	166	0	0	124	0	124	0	104	3	0	107	397
Total	0	0	0	0	0	259	357	0	0	616	0	0	560	0	560	0	548	6	0	554	1730
*** BREAK ***																					
11:00 AM	0	0	0	0	0	86	123	0	0	209	0	0	125	0	125	0	125	1	0	126	460
11:15 AM	0	0	0	0	0	79	145	0	0	224	0	0	132	0	132	0	124	3	0	127	483
11:30 AM	0	0	0	0	0	87	141	0	0	228	0	0	114	0	114	0	142	0	0	142	484
11:45 AM	0	0	0	0	0	79	109	0	0	188	0	0	100	0	100	0	133	0	0	133	421
Total	0	0	0	0	0	331	518	0	0	849	0	0	471	0	471	0	524	4	0	528	1848
12:00 PM	0	0	0	0	0	76	103	0	0	179	0	0	106	0	106	0	102	0	0	102	387
12:15 PM	0	0	0	0	0	93	149	0	0	242	0	0	110	0	110	0	136	0	0	136	488
12:30 PM	0	0	0	0	0	108	154	0	0	262	0	0	108	0	108	0	135	1	0	136	506
12:45 PM	0	0	0	0	0	99	166	0	0	265	0	0	128	0	128	0	136	0	0	136	529
Total	0	0	0	0	0	376	572	0	0	948	0	0	452	0	452	0	509	1	0	510	1910
01:00 PM	0	0	0	0	0	70	117	0	0	187	0	0	118	0	118	0	138	1	0	139	444
01:15 PM	0	0	0	0	0	80	116	0	0	196	0	0	114	0	114	0	123	0	0	123	433
01:30 PM	0	0	0	0	0	80	111	0	0	191	0	0	99	0	99	0	100	0	0	100	390
01:45 PM	0	0	0	0	0	97	123	0	0	220	0	0	85	0	85	0	119	0	0	119	424
Total	0	0	0	0	0	327	467	0	0	794	0	0	416	0	416	0	480	1	0	481	1691

TechniQuest Corporation
 4105 US Route 1, Suite # 14
 Monmouth Junction, NJ 08852
 Phone: 732-274-9500 Fax: 732-274-9510

File Name : 41-D
 Site Code : D
 Start Date : 5/1/2008
 Page No : 2

Groups Printed- Total Vehicles

Start Time	Southbound					Grand Street Westbound					Pacific Avenue Northbound					Grand Street Eastbound					Int. Total
	Left	Thru	Right	Peds	App. Total	Left	Thru	Right	Peds	App. Total	Left	Thru	Right	Peds	App. Total	Left	Thru	Right	Peds	App. Total	
*** BREAK ***																					
03:00 PM	0	0	0	0	0	167	251	0	0	418	0	0	140	0	140	0	170	1	0	171	729
03:15 PM	0	0	0	0	0	188	264	0	0	452	0	0	123	0	123	0	154	0	0	154	729
03:30 PM	0	0	0	0	0	129	258	0	0	387	0	0	140	0	140	0	172	1	0	173	700
03:45 PM	0	0	0	0	0	125	209	0	0	334	0	0	115	0	115	0	154	2	0	156	605
Total	0	0	0	0	0	609	982	0	0	1591	0	0	518	0	518	0	650	4	0	654	2763
04:00 PM	0	0	0	0	0	129	200	0	0	329	0	0	147	0	147	0	159	1	0	160	636
04:15 PM	0	0	0	0	0	142	264	0	0	406	0	0	123	0	123	0	158	2	0	160	689
04:30 PM	0	0	0	0	0	160	237	0	0	397	0	0	143	0	143	0	146	1	0	147	687
04:45 PM	0	0	0	0	0	169	247	0	0	416	0	0	156	0	156	0	153	0	0	153	725
Total	0	0	0	0	0	600	948	0	0	1548	0	0	569	0	569	0	616	4	0	620	2737
05:00 PM	0	0	0	0	0	140	208	0	0	348	0	0	142	0	142	0	115	1	0	116	606
05:15 PM	0	0	0	0	0	170	301	0	0	471	0	0	141	0	141	0	173	1	0	174	786
05:30 PM	0	0	0	0	0	169	269	0	0	438	0	0	155	0	155	0	144	1	0	145	738
05:45 PM	0	0	0	0	0	181	270	0	0	451	0	0	150	0	150	0	181	1	0	182	783
Total	0	0	0	0	0	660	1048	0	0	1708	0	0	588	0	588	0	613	4	0	617	2913
Grand Total	0	0	0	0	0	3907	5838	0	0	9745	0	0	5741	0	5741	0	5660	29	0	5689	21175
Apprch %	0	0	0	0	0	40.1	59.9	0	0		0	0	100	0		0	99.5	0.5	0		
Total %	0	0	0	0	0	18.5	27.6	0	0	46	0	0	27.1	0	27.1	0	26.7	0.1	0	26.9	

TechniQuest Corporation

4105 US Route 1, Suite # 14
 Monmouth Junction, NJ 08852
 Phone: 732-274-9500 Fax: 732-274-9510

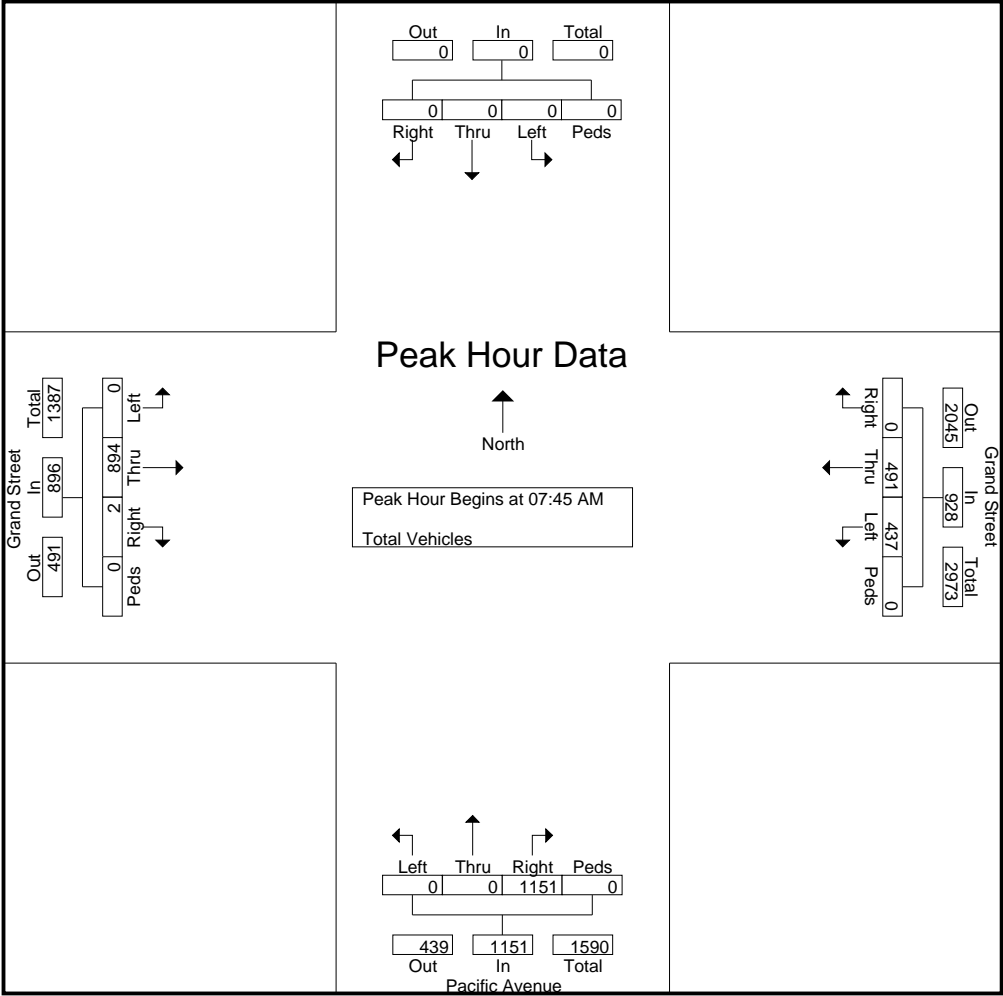
File Name : 41-D
 Site Code : D
 Start Date : 5/1/2008
 Page No : 3

Start Time	Southbound					Grand Street Westbound					Pacific Avenue Northbound					Grand Street Eastbound					Int. Total
	Left	Thru	Right	Peds	App. Total	Left	Thru	Right	Peds	App. Total	Left	Thru	Right	Peds	App. Total	Left	Thru	Right	Peds	App. Total	
Peak Hour Analysis From 07:45 AM to 08:30 AM - Peak 1 of 1																					
Peak Hour for Entire Intersection Begins at 07:45 AM																					
07:45 AM	0	0	0	0	0	93	120	0	0	213	0	0	302	0	302	0	237	2	0	239	754
08:00 AM	0	0	0	0	0	115	121	0	0	236	0	0	291	0	291	0	225	0	0	225	752
08:15 AM	0	0	0	0	0	117	120	0	0	237	0	0	283	0	283	0	214	0	0	214	734
08:30 AM	0	0	0	0	0	112	130	0	0	242	0	0	275	0	275	0	218	0	0	218	735
Total Volume	0	0	0	0	0	437	491	0	0	928	0	0	1151	0	1151	0	894	2	0	896	2975
% App. Total	0	0	0	0	0	47.1	52.9	0	0		0	0	100	0		0	99.8	0.2	0		
PHF	.000	.000	.000	.000	.000	.934	.944	.000	.000	.959	.000	.000	.953	.000	.953	.000	.943	.250	.000	.937	.986

TechniQuest Corporation

4105 US Route 1, Suite # 14
 Monmouth Junction, NJ 08852
 Phone: 732-274-9500 Fax: 732-274-9510

File Name : 41-D
 Site Code : D
 Start Date : 5/1/2008
 Page No : 4



TechniQuest Corporation

4105 US Route 1, Suite # 14
 Monmouth Junction, NJ 08852
 Phone: 732-274-9500 Fax: 732-274-9510

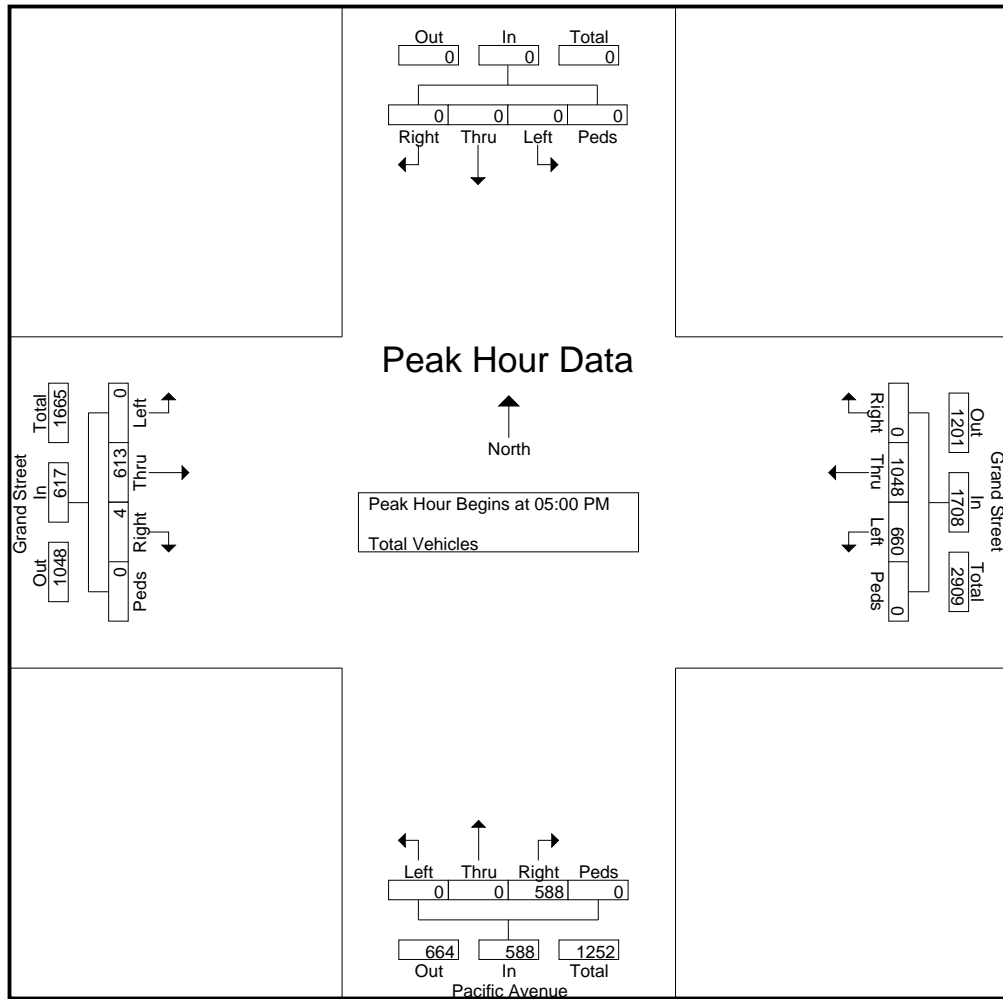
File Name : 41-D
 Site Code : D
 Start Date : 5/1/2008
 Page No : 5

Start Time	Southbound					Grand Street Westbound					Pacific Avenue Northbound					Grand Street Eastbound					Int. Total
	Left	Thru	Right	Peds	App. Total	Left	Thru	Right	Peds	App. Total	Left	Thru	Right	Peds	App. Total	Left	Thru	Right	Peds	App. Total	
Peak Hour Analysis From 05:00 PM to 05:45 PM - Peak 1 of 1																					
Peak Hour for Entire Intersection Begins at 05:00 PM																					
05:00 PM	0	0	0	0	0	140	208	0	0	348	0	0	142	0	142	0	115	1	0	116	606
05:15 PM	0	0	0	0	0	170	301	0	0	471	0	0	141	0	141	0	173	1	0	174	786
05:30 PM	0	0	0	0	0	169	269	0	0	438	0	0	155	0	155	0	144	1	0	145	738
05:45 PM	0	0	0	0	0	181	270	0	0	451	0	0	150	0	150	0	181	1	0	182	783
Total Volume	0	0	0	0	0	660	1048	0	0	1708	0	0	588	0	588	0	613	4	0	617	2913
% App. Total	0	0	0	0	0	38.6	61.4	0	0		0	0	100	0		0	99.4	0.6	0		
PHF	.000	.000	.000	.000	.000	.912	.870	.000	.000	.907	.000	.000	.948	.000	.948	.000	.847	1.000	.000	.848	.927

TechniQuest Corporation

4105 US Route 1, Suite # 14
 Monmouth Junction, NJ 08852
 Phone: 732-274-9500 Fax: 732-274-9510

File Name : 41-D
 Site Code : D
 Start Date : 5/1/2008
 Page No : 6



TechniQuest Corporation

4105 US Route 1, Suite # 14
 Monmouth Junction, NJ 08852
 Phone: 732-274-9500 Fax: 732-274-9510

File Name : 41-D-AM May08
 Site Code : D
 Start Date : 5/27/2008
 Page No : 1

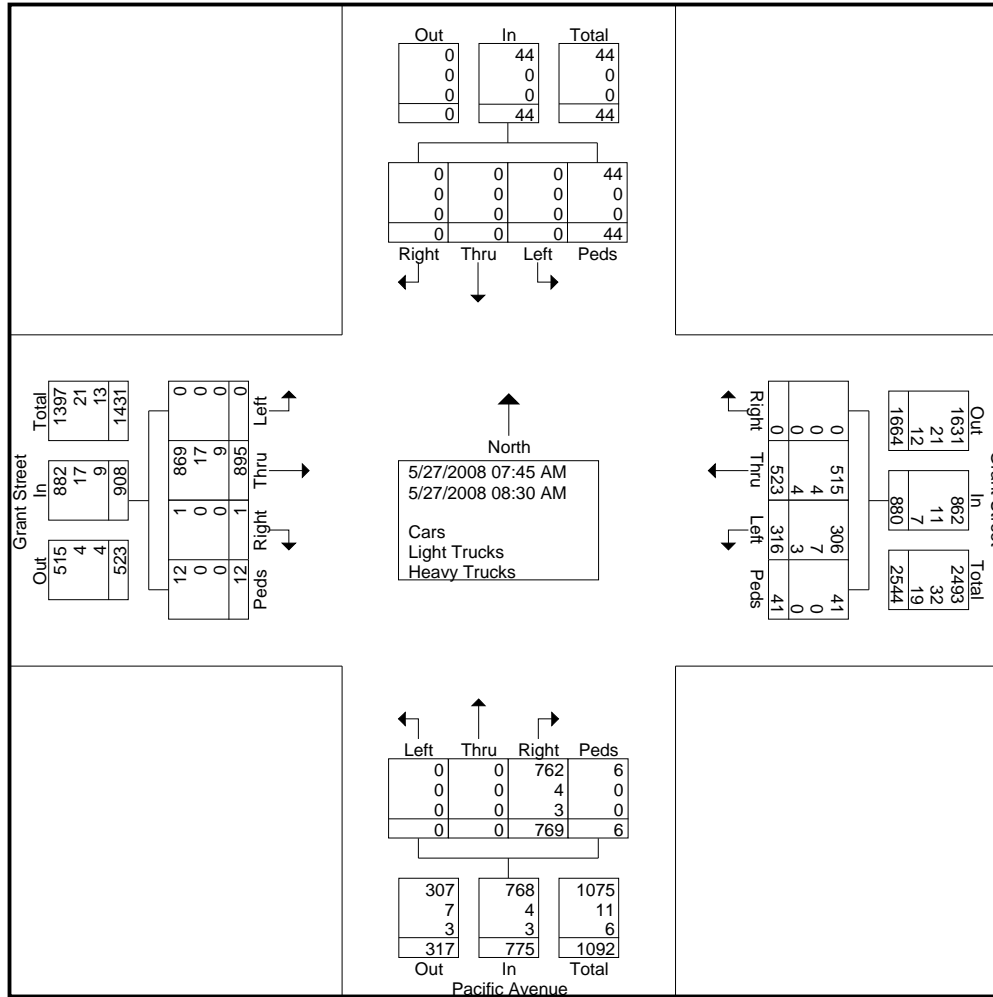
Groups Printed- Cars - Light Trucks - Heavy Trucks

Start Time	Southbound					Grant Street Westbound					Pacific Avenue Northbound					Grant Street Eastbound					Int. Total
	Left	Thru	Right	Peds	App. Total	Left	Thru	Right	Peds	App. Total	Left	Thru	Right	Peds	App. Total	Left	Thru	Right	Peds	App. Total	
07:45 AM	0	0	0	8	8	68	116	0	8	192	0	0	173	0	173	0	238	0	0	238	611
Total	0	0	0	8	8	68	116	0	8	192	0	0	173	0	173	0	238	0	0	238	611
08:00 AM	0	0	0	14	14	77	131	0	15	223	0	0	216	6	222	0	265	0	0	265	724
08:15 AM	0	0	0	12	12	89	145	0	12	246	0	0	203	0	203	0	212	1	12	225	686
08:30 AM	0	0	0	10	10	82	131	0	6	219	0	0	177	0	177	0	180	0	0	180	586
Grand Total	0	0	0	44	44	316	523	0	41	880	0	0	769	6	775	0	895	1	12	908	2607
Apprch %	0	0	0	100		35.9	59.4	0	4.7		0	0	99.2	0.8		0	98.6	0.1	1.3		
Total %	0	0	0	1.7	1.7	12.1	20.1	0	1.6	33.8	0	0	29.5	0.2	29.7	0	34.3	0	0.5	34.8	
Cars	0	0	0	44	44	306	515	0	41	862	0	0	762	6	768	0	869	1	12	882	2556
% Cars	0	0	0	100	100	96.8	98.5	0	100	98	0	0	99.1	100	99.1	0	97.1	100	100	97.1	98
Light Trucks	0	0	0	0	0	7	4	0	0	11	0	0	4	0	4	0	17	0	0	17	32
% Light Trucks	0	0	0	0	0	2.2	0.8	0	0	1.2	0	0	0.5	0	0.5	0	1.9	0	0	1.9	1.2
Heavy Trucks	0	0	0	0	0	3	4	0	0	7	0	0	3	0	3	0	9	0	0	9	19
% Heavy Trucks																					

TechniQuest Corporation

4105 US Route 1, Suite # 14
 Monmouth Junction, NJ 08852
 Phone: 732-274-9500 Fax: 732-274-9510

File Name : 41-D-AM May08
 Site Code : D
 Start Date : 5/27/2008
 Page No : 2



TechniQuest Corporation

4105 US Route 1, Suite # 14
 Monmouth Junction, NJ 08852
 Phone: 732-274-9500 Fax: 732-274-9510

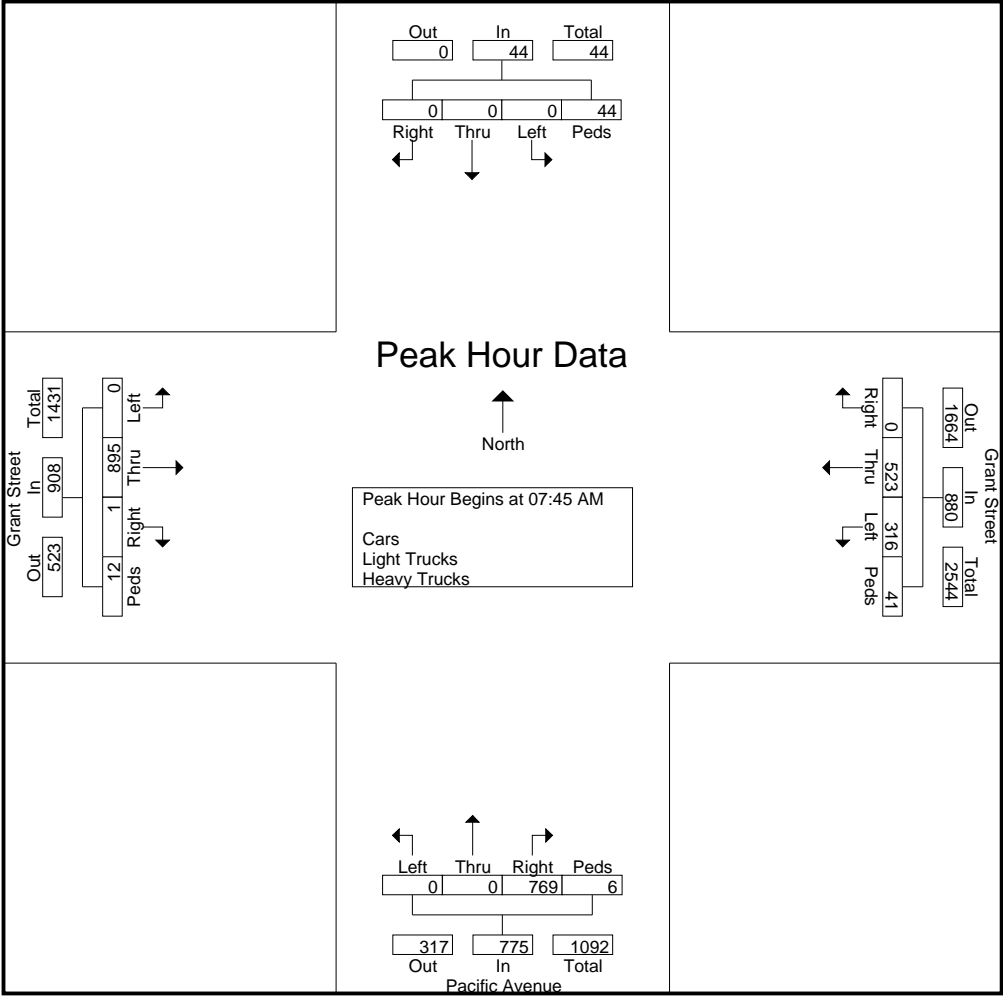
File Name : 41-D-AM May08
 Site Code : D
 Start Date : 5/27/2008
 Page No : 3

Start Time	Southbound					Grant Street Westbound					Pacific Avenue Northbound					Grant Street Eastbound					Int. Total
	Left	Thru	Right	Peds	App. Total	Left	Thru	Right	Peds	App. Total	Left	Thru	Right	Peds	App. Total	Left	Thru	Right	Peds	App. Total	
Peak Hour Analysis From 07:45 AM to 08:30 AM - Peak 1 of 1																					
Peak Hour for Entire Intersection Begins at 07:45 AM																					
07:45 AM	0	0	0	8	8	68	116	0	8	192	0	0	173	0	173	0	238	0	0	238	611
08:00 AM	0	0	0	14	14	77	131	0	15	223	0	0	216	6	222	0	265	0	0	265	724
08:15 AM	0	0	0	12	12	89	145	0	12	246	0	0	203	0	203	0	212	1	12	225	686
08:30 AM	0	0	0	10	10	82	131	0	6	219	0	0	177	0	177	0	180	0	0	180	586
Total Volume	0	0	0	44	44	316	523	0	41	880	0	0	769	6	775	0	895	1	12	908	2607
% App. Total	0	0	0	100		35.9	59.4	0	4.7		0	0	99.2	0.8		0	98.6	0.1	1.3		
PHF	.000	.000	.000	.786	.786	.888	.902	.000	.683	.894	.000	.000	.890	.250	.873	.000	.844	.250	.250	.857	.900

TechniQuest Corporation

4105 US Route 1, Suite # 14
 Monmouth Junction, NJ 08852
 Phone: 732-274-9500 Fax: 732-274-9510

File Name : 41-D-AM May08
 Site Code : D
 Start Date : 5/27/2008
 Page No : 4



TechniQuest Corporation

4105 US Route 1, Suite # 14
 Monmouth Junction, NJ 08852
 Phone: 732-274-9500 Fax: 732-274-9510

File Name : 41-D-PM May08
 Site Code : D
 Start Date : 5/27/2008
 Page No : 1

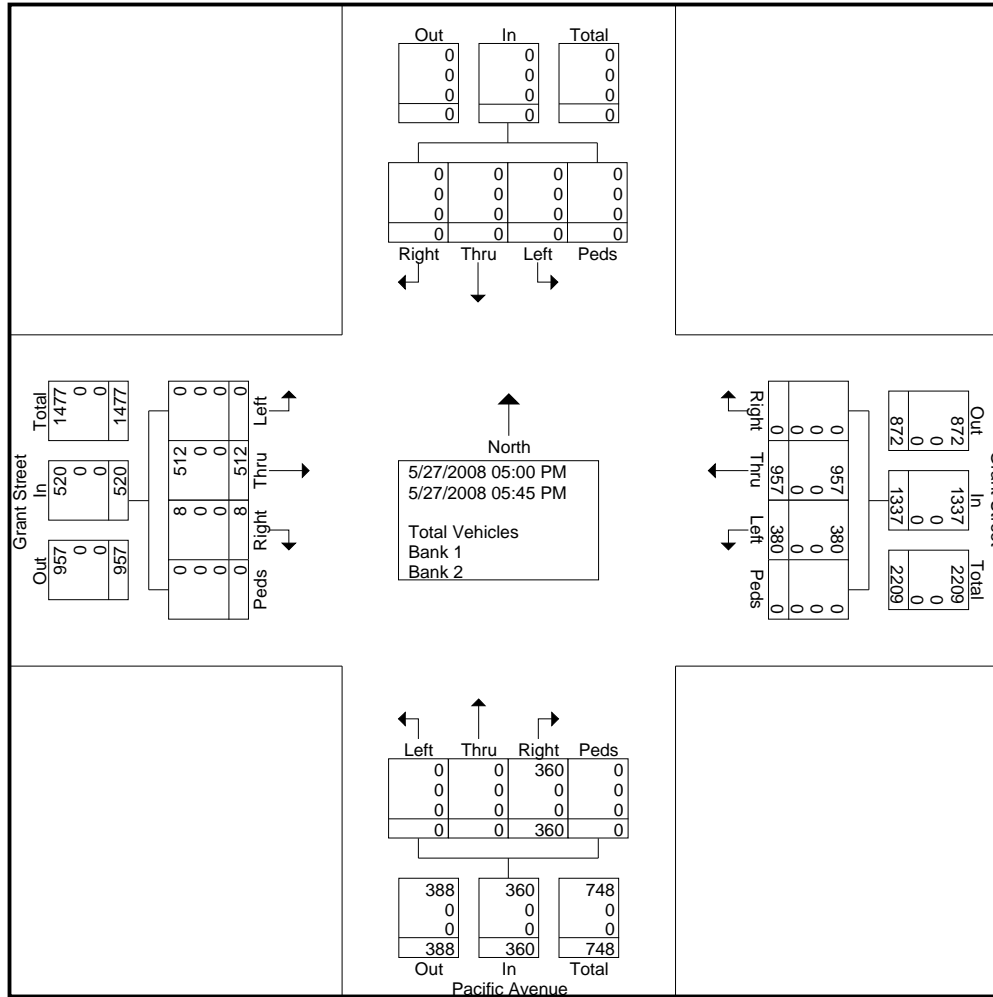
Groups Printed- Total Vehicles - Bank 1 - Bank 2

Start Time	Southbound					Grant Street Westbound					Pacific Avenue Northbound					Grant Street Eastbound					Int. Total
	Left	Thru	Right	Peds	App. Total	Left	Thru	Right	Peds	App. Total	Left	Thru	Right	Peds	App. Total	Left	Thru	Right	Peds	App. Total	
05:00 PM	0	0	0	0	0	80	222	0	0	302	0	0	83	0	83	0	126	2	0	128	513
05:15 PM	0	0	0	0	0	93	235	0	0	328	0	0	92	0	92	0	147	1	0	148	568
05:30 PM	0	0	0	0	0	112	248	0	0	360	0	0	90	0	90	0	134	3	0	137	587
05:45 PM	0	0	0	0	0	95	252	0	0	347	0	0	95	0	95	0	105	2	0	107	549
Total	0	0	0	0	0	380	957	0	0	1337	0	0	360	0	360	0	512	8	0	520	2217
Grand Total	0	0	0	0	0	380	957	0	0	1337	0	0	360	0	360	0	512	8	0	520	2217
Apprch %	0	0	0	0	0	28.4	71.6	0	0	0	0	0	100	0	0	0	98.5	1.5	0	0	
Total %	0	0	0	0	0	17.1	43.2	0	0	60.3	0	0	16.2	0	16.2	0	23.1	0.4	0	23.5	
Total Vehicles	0	0	0	0	0	380	957	0	0	1337	0	0	360	0	360	0	512	8	0	520	2217
% Total Vehicles																					
Bank 1	0	0	0	0	0	0	0	0	0	0	0	0	0	0	0	0	0	0	0	0	0
% Bank 1	0	0	0	0	0	0	0	0	0	0	0	0	0	0	0	0	0	0	0	0	0
Bank 2	0	0	0	0	0	0	0	0	0	0	0	0	0	0	0	0	0	0	0	0	0
% Bank 2	0	0	0	0	0	0	0	0	0	0	0	0	0	0	0	0	0	0	0	0	0

TechniQuest Corporation

4105 US Route 1, Suite # 14
 Monmouth Junction, NJ 08852
 Phone: 732-274-9500 Fax: 732-274-9510

File Name : 41-D-PM May08
 Site Code : D
 Start Date : 5/27/2008
 Page No : 2



TechniQuest Corporation
 4105 US Route 1, Suite # 14
 Monmouth Junction, NJ 08852
 Phone: 732-274-9500 Fax: 732-274-9510

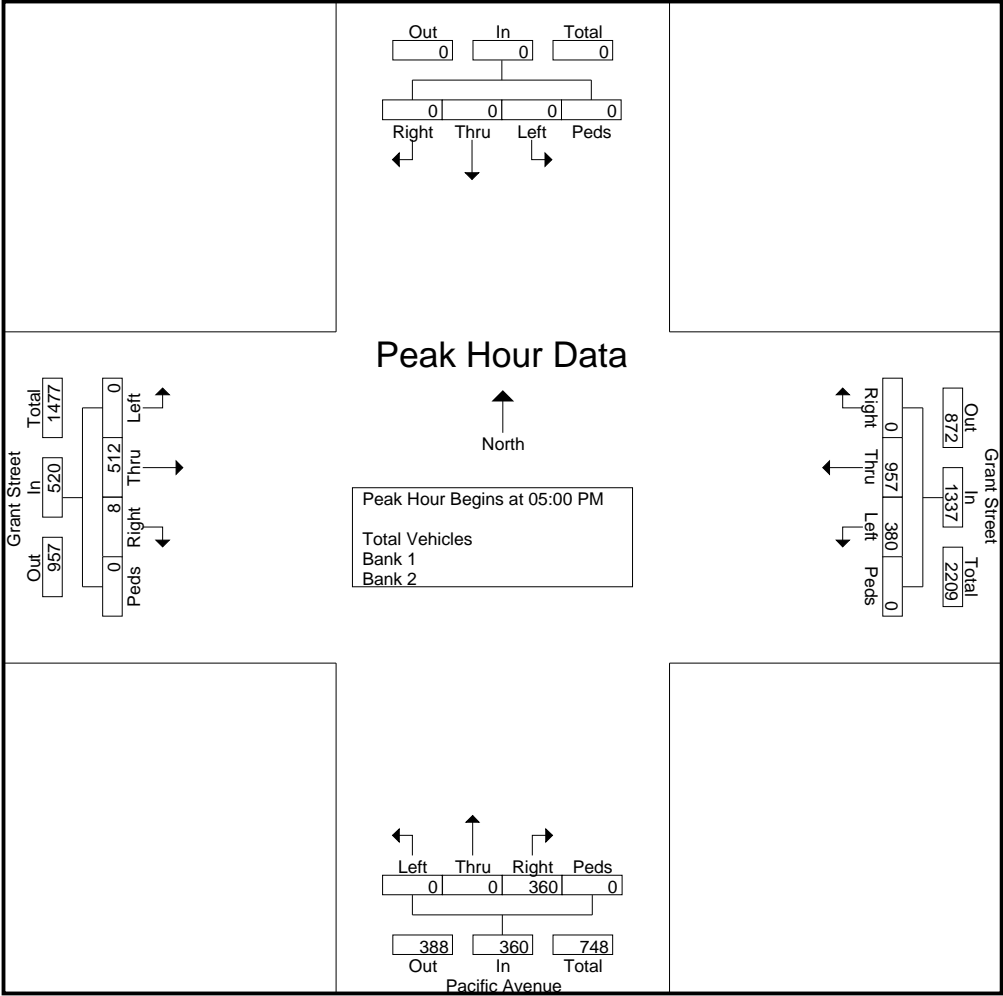
File Name : 41-D-PM May08
 Site Code : D
 Start Date : 5/27/2008
 Page No : 3

Start Time	Southbound					Grant Street Westbound					Pacific Avenue Northbound					Grant Street Eastbound					Int. Total
	Left	Thru	Right	Peds	App. Total	Left	Thru	Right	Peds	App. Total	Left	Thru	Right	Peds	App. Total	Left	Thru	Right	Peds	App. Total	
Peak Hour Analysis From 05:00 PM to 05:45 PM - Peak 1 of 1																					
Peak Hour for Entire Intersection Begins at 05:00 PM																					
05:00 PM	0	0	0	0	0	80	222	0	0	302	0	0	83	0	83	0	126	2	0	128	513
05:15 PM	0	0	0	0	0	93	235	0	0	328	0	0	92	0	92	0	147	1	0	148	568
05:30 PM	0	0	0	0	0	112	248	0	0	360	0	0	90	0	90	0	134	3	0	137	587
05:45 PM	0	0	0	0	0	95	252	0	0	347	0	0	95	0	95	0	105	2	0	107	549
Total Volume	0	0	0	0	0	380	957	0	0	1337	0	0	360	0	360	0	512	8	0	520	2217
% App. Total	0	0	0	0	0	28.4	71.6	0	0		0	0	100	0		0	98.5	1.5	0		
PHF	.000	.000	.000	.000	.000	.848	.949	.000	.000	.928	.000	.000	.947	.000	.947	.000	.871	.667	.000	.878	.944

TechniQuest Corporation

4105 US Route 1, Suite # 14
 Monmouth Junction, NJ 08852
 Phone: 732-274-9500 Fax: 732-274-9510

File Name : 41-D-PM May08
 Site Code : D
 Start Date : 5/27/2008
 Page No : 4



TechniQuest Corporation
 4105 US Route 1, Suite # 14
 Monmouth Junction, NJ 08852
 Phone: 732-274-9500 Fax: 732-274-9510

File Name : 41-E
 Site Code : E
 Start Date : 5/6/2008
 Page No : 1

Groups Printed- Car - Light Truck - Heavy Truck

Start Time	Garfield Avenue Southbound					Caven Point Avenue Westbound					Garfield Avenue Northbound					Eastbound					Int. Total
	Left	Thru	Right	Peds	App. Total	Left	Thru	Right	Peds	App. Total	Left	Thru	Right	Peds	App. Total	Left	Thru	Right	Peds	App. Total	
07:00 AM	6	62	0	0	68	29	0	9	0	38	0	109	56	0	165	0	0	0	0	0	271
07:15 AM	6	82	0	0	88	29	0	5	0	34	0	123	60	0	183	0	0	0	0	0	305
07:30 AM	9	88	0	0	97	31	0	3	0	34	0	146	58	0	204	0	0	0	0	0	335
07:45 AM	5	94	0	0	99	34	0	3	0	37	0	169	77	0	246	0	0	0	0	0	382
Total	26	326	0	0	352	123	0	20	0	143	0	547	251	0	798	0	0	0	0	0	1293
08:00 AM	7	84	0	0	91	33	0	3	0	36	0	130	63	0	193	0	0	0	0	0	320
08:15 AM	9	100	0	0	109	36	0	4	0	40	0	128	57	0	185	0	0	0	0	0	334
08:30 AM	10	103	0	0	113	34	0	4	0	38	0	127	60	0	187	0	0	0	0	0	338
08:45 AM	7	87	0	0	94	32	0	5	0	37	0	124	52	0	176	0	0	0	0	0	307
Total	33	374	0	0	407	135	0	16	0	151	0	509	232	0	741	0	0	0	0	0	1299
09:00 AM	8	85	0	0	93	24	0	3	0	27	0	69	46	0	115	0	0	0	0	0	235
09:15 AM	8	90	0	0	98	13	0	1	0	14	0	80	39	0	119	0	0	0	0	0	231
09:30 AM	6	84	0	0	90	24	0	5	0	29	0	72	33	0	105	0	0	0	0	0	224
09:45 AM	6	71	0	0	77	19	0	4	0	23	0	57	28	0	85	0	0	0	0	0	185
Total	28	330	0	0	358	80	0	13	0	93	0	278	146	0	424	0	0	0	0	0	875
*** BREAK ***																					
11:00 AM	5	29	0	0	34	32	0	3	0	35	0	38	22	0	60	0	0	0	0	0	129
11:15 AM	7	39	0	0	46	32	0	5	0	37	0	45	28	0	73	0	0	0	0	0	156
11:30 AM	5	29	0	0	34	28	0	7	0	35	0	33	35	0	68	0	0	0	0	0	137
11:45 AM	14	59	0	0	73	24	0	5	0	29	0	52	25	0	77	0	0	0	0	0	179
Total	31	156	0	0	187	116	0	20	0	136	0	168	110	0	278	0	0	0	0	0	601
12:00 PM	5	90	0	0	95	33	0	5	0	38	0	89	26	0	115	0	0	0	0	0	248
12:15 PM	10	73	0	0	83	34	0	6	0	40	0	67	37	0	104	0	0	0	0	0	227
12:30 PM	12	94	0	0	106	33	0	5	0	38	0	64	29	0	93	0	0	0	0	0	237
12:45 PM	10	51	0	0	61	39	0	10	0	49	0	65	33	0	98	0	0	0	0	0	208
Total	37	308	0	0	345	139	0	26	0	165	0	285	125	0	410	0	0	0	0	0	920
01:00 PM	10	36	0	0	46	31	0	6	0	37	0	49	40	0	89	0	0	0	0	0	172
01:15 PM	5	56	0	0	61	31	0	8	0	39	0	70	32	0	102	0	0	0	0	0	202
01:30 PM	3	59	0	0	62	30	0	4	0	34	0	61	36	0	97	0	0	0	0	0	193
01:45 PM	8	52	0	0	60	29	0	6	0	35	0	57	35	0	92	0	0	0	0	0	187
Total	26	203	0	0	229	121	0	24	0	145	0	237	143	0	380	0	0	0	0	0	754

TechniQuest Corporation
 4105 US Route 1, Suite # 14
 Monmouth Junction, NJ 08852
 Phone: 732-274-9500 Fax: 732-274-9510

File Name : 41-E
 Site Code : E
 Start Date : 5/6/2008
 Page No : 2

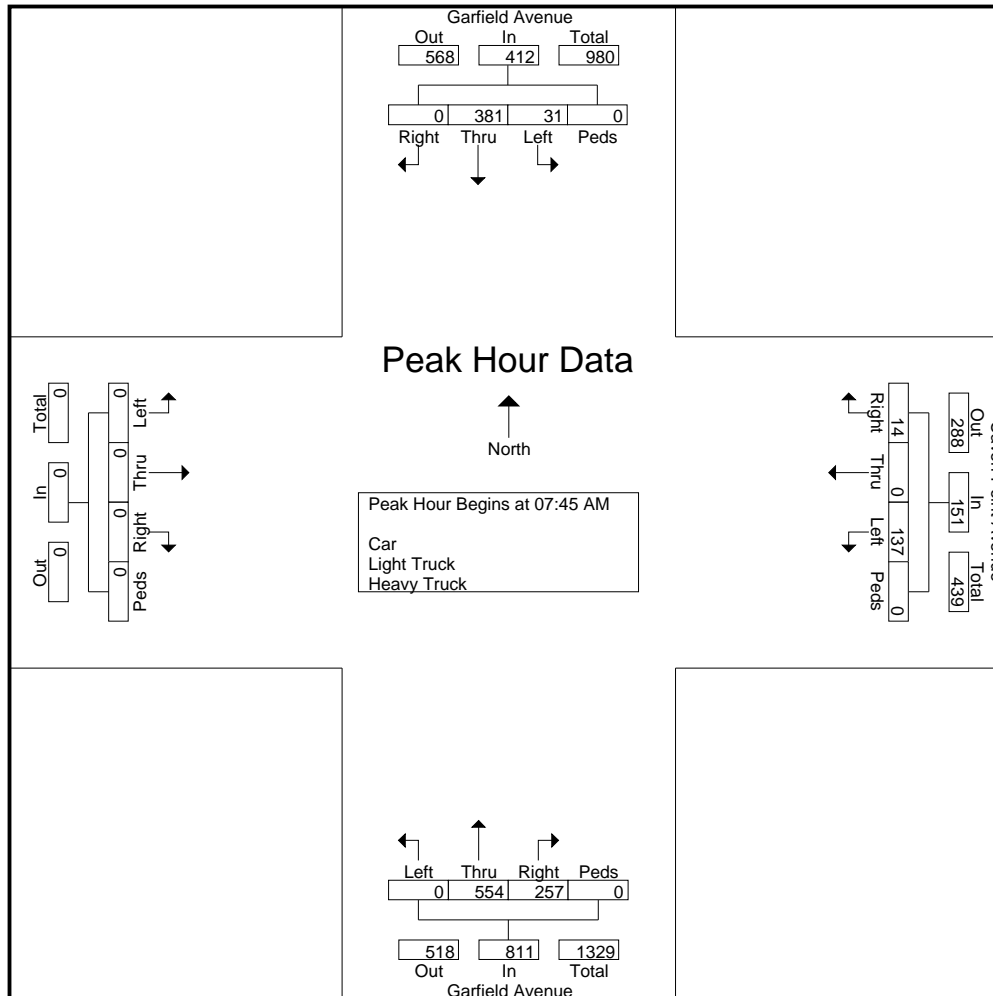
Groups Printed- Car - Light Truck - Heavy Truck

Start Time	Garfield Avenue Southbound					Caven Point Avenue Westbound					Garfield Avenue Northbound					Eastbound					Int. Total
	Left	Thru	Right	Peds	App. Total	Left	Thru	Right	Peds	App. Total	Left	Thru	Right	Peds	App. Total	Left	Thru	Right	Peds	App. Total	
*** BREAK ***																					
03:00 PM	6	72	0	0	78	63	0	7	0	70	0	55	46	0	101	0	0	0	0	0	249
03:15 PM	7	76	0	0	83	78	0	4	0	82	0	63	46	0	109	0	0	0	0	0	274
03:30 PM	5	120	0	0	125	71	0	14	0	85	0	71	35	0	106	0	0	0	0	0	316
03:45 PM	4	115	0	0	119	52	0	11	0	63	0	90	21	0	111	0	0	0	0	0	293
Total	22	383	0	0	405	264	0	36	0	300	0	279	148	0	427	0	0	0	0	0	1132
04:00 PM	5	112	0	0	117	48	0	7	0	55	0	116	31	0	147	0	0	0	0	0	319
04:15 PM	9	91	0	0	100	47	0	0	0	47	0	110	33	0	143	0	0	0	0	0	290
04:30 PM	8	74	0	0	82	55	0	5	0	60	0	103	38	0	141	0	0	0	0	0	283
04:45 PM	8	71	0	0	79	50	0	6	0	56	0	88	38	0	126	0	0	0	0	0	261
Total	30	348	0	0	378	200	0	18	0	218	0	417	140	0	557	0	0	0	0	0	1153
05:00 PM	4	87	0	0	91	67	0	6	0	73	0	106	29	0	135	0	0	0	0	0	299
05:15 PM	8	81	0	0	89	59	0	2	0	61	0	107	42	0	149	0	0	0	0	0	299
05:30 PM	3	72	0	0	75	55	0	4	0	59	0	107	43	0	150	0	0	0	0	0	284
05:45 PM	3	93	0	0	96	59	0	4	0	63	0	136	25	0	161	0	0	0	0	0	320
Total	18	333	0	0	351	240	0	16	0	256	0	456	139	0	595	0	0	0	0	0	1202
Grand Total	251	2761	0	0	3012	1418	0	189	0	1607	0	3176	1434	0	4610	0	0	0	0	0	9229
Apprch %	8.3	91.7	0	0		88.2	0	11.8	0		0	68.9	31.1	0		0	0	0	0		
Total %	2.7	29.9	0	0	32.6	15.4	0	2	0	17.4	0	34.4	15.5	0	50	0	0	0	0	0	
Car	213	2631	0	0	2844	1292	0	154	0	1446	0	3041	1286	0	4327	0	0	0	0	0	8617
% Car	84.9	95.3	0	0	94.4	91.1	0	81.5	0	90	0	95.7	89.7	0	93.9	0	0	0	0	0	93.4
Light Truck	13	92	0	0	105	29	0	16	0	45	0	92	43	0	135	0	0	0	0	0	285
% Light Truck	5.2	3.3	0	0	3.5	2	0	8.5	0	2.8	0	2.9	3	0	2.9	0	0	0	0	0	3.1
Heavy Truck	25	38	0	0	63	97	0	19	0	116	0	43	105	0	148	0	0	0	0	0	327
% Heavy Truck	10	1.4	0	0	2.1	6.8	0	10.1	0	7.2	0	1.4	7.3	0	3.2	0	0	0	0	0	3.5

TechniQuest Corporation

4105 US Route 1, Suite # 14
 Monmouth Junction, NJ 08852
 Phone: 732-274-9500 Fax: 732-274-9510

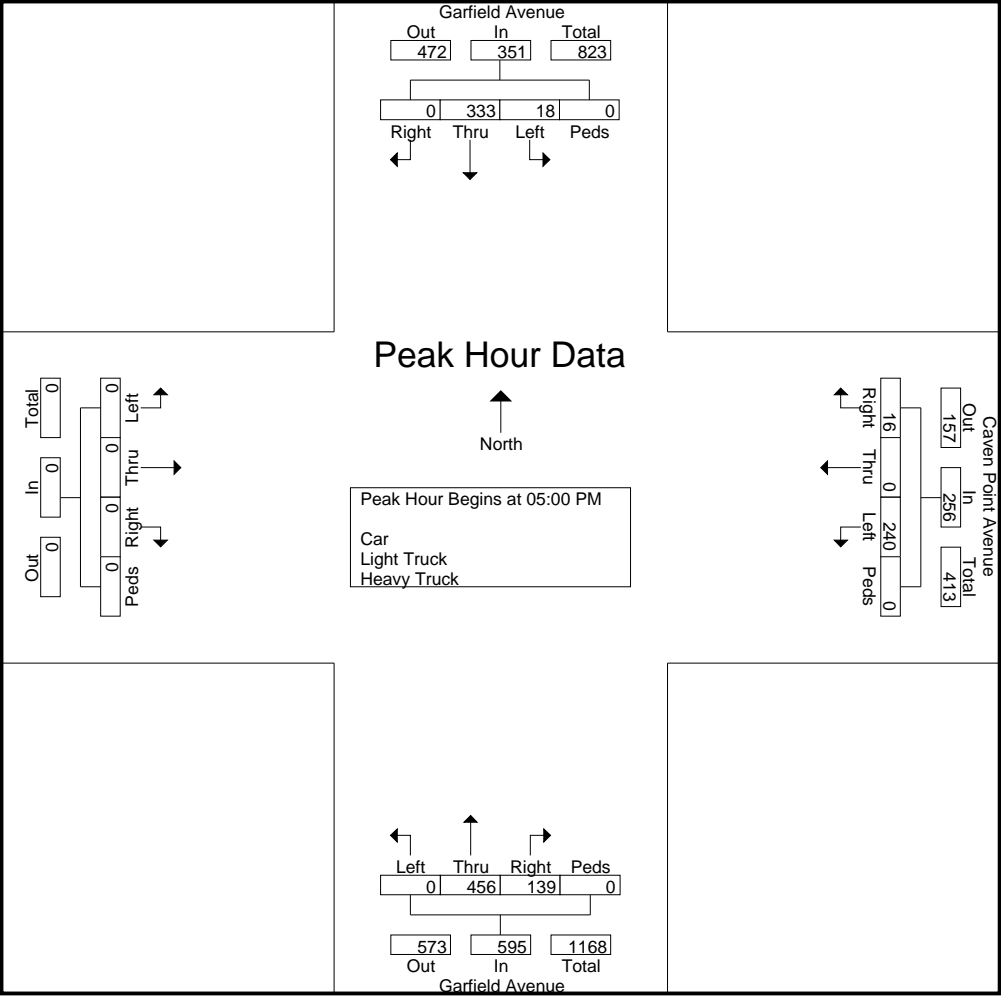
File Name : 41-E
 Site Code : E
 Start Date : 5/6/2008
 Page No : 4



TechniQuest Corporation

4105 US Route 1, Suite # 14
 Monmouth Junction, NJ 08852
 Phone: 732-274-9500 Fax: 732-274-9510

File Name : 41-E
 Site Code : E
 Start Date : 5/6/2008
 Page No : 6



TechniQuest Corporation
 4105 US Route 1, Suite # 14
 Monmouth Junction, NJ 08852
 Phone: 732-274-9500 Fax: 732-274-9510

File Name : 41-F
 Site Code : F
 Start Date : 5/6/2008
 Page No : 1

Groups Printed- Car - Light Truck - Heavy Truck

Start Time	Garfield Avenue Southbound					Carteret Avenue Westbound					Garfield Avenue Northbound					Carteret Avenue Eastbound					Int. Total
	Left	Thru	Right	Peds	App. Total	Left	Thru	Right	Peds	App. Total	Left	Thru	Right	Peds	App. Total	Left	Thru	Right	Peds	App. Total	
07:00 AM	2	62	4	0	68	1	4	1	0	6	2	116	0	0	118	2	12	5	0	19	211
07:15 AM	4	85	4	0	93	1	5	1	0	7	1	122	4	0	127	4	11	3	0	18	245
07:30 AM	4	93	5	0	102	0	2	0	0	2	0	143	4	0	147	8	28	5	0	41	292
07:45 AM	5	96	8	0	109	1	2	1	0	4	2	179	4	0	185	6	20	3	0	29	327
Total	15	336	21	0	372	3	13	3	0	19	5	560	12	0	577	20	71	16	0	107	1075
08:00 AM	3	82	4	0	89	3	8	5	0	16	4	119	8	0	131	9	21	7	0	37	273
08:15 AM	1	95	3	0	99	4	4	2	0	10	1	126	5	0	132	1	16	10	0	27	268
08:30 AM	2	104	9	0	115	2	3	1	0	6	2	117	5	0	124	7	23	7	0	37	282
08:45 AM	2	86	10	0	98	1	1	3	0	5	1	123	3	0	127	9	14	7	0	30	260
Total	8	367	26	0	401	10	16	11	0	37	8	485	21	0	514	26	74	31	0	131	1083
09:00 AM	6	89	7	0	102	3	3	4	0	10	3	69	4	0	76	5	12	1	0	18	206
09:15 AM	4	96	6	0	106	2	6	6	0	14	1	84	7	0	92	6	10	0	0	16	228
09:30 AM	6	84	9	0	99	2	4	0	0	6	3	62	12	0	77	2	4	5	0	11	193
09:45 AM	3	69	5	0	77	3	1	5	0	9	0	53	8	0	61	4	13	5	0	22	169
Total	19	338	27	0	384	10	14	15	0	39	7	268	31	0	306	17	39	11	0	67	796
*** BREAK ***																					
11:00 AM	2	20	9	0	31	7	7	5	0	19	7	65	2	0	74	5	6	8	0	19	143
11:15 AM	1	31	4	0	36	7	5	1	0	13	8	61	6	0	75	5	12	8	0	25	149
11:30 AM	2	27	4	0	33	1	4	5	0	10	5	42	4	1	52	5	12	6	0	23	118
11:45 AM	2	60	4	0	66	9	2	4	0	15	6	61	5	0	72	5	7	4	0	16	169
Total	7	138	21	0	166	24	18	15	0	57	26	229	17	1	273	20	37	26	0	83	579
12:00 PM	5	73	10	0	88	8	9	7	0	24	6	81	7	0	94	5	16	11	0	32	238
12:15 PM	3	72	6	0	81	8	5	0	0	13	4	70	1	0	75	5	12	3	0	20	189
12:30 PM	4	97	9	0	110	3	5	0	0	8	3	62	4	0	69	6	10	6	0	22	209
12:45 PM	2	55	5	0	62	5	0	0	0	5	2	66	7	0	75	9	9	1	0	19	161
Total	14	297	30	0	341	24	19	7	0	50	15	279	19	0	313	25	47	21	0	93	797
01:00 PM	4	37	4	0	45	7	6	2	0	15	6	62	7	0	75	5	5	2	0	12	147
01:15 PM	1	53	14	0	68	6	5	0	0	11	3	71	4	0	78	5	7	2	0	14	171
01:30 PM	5	53	3	0	61	7	8	1	0	16	7	56	3	0	66	6	7	3	0	16	159
01:45 PM	8	50	4	0	62	3	6	1	0	10	3	53	2	0	58	8	15	6	0	29	159
Total	18	193	25	0	236	23	25	4	0	52	19	242	16	0	277	24	34	13	0	71	636

TechniQuest Corporation

4105 US Route 1, Suite # 14
 Monmouth Junction, NJ 08852
 Phone: 732-274-9500 Fax: 732-274-9510

File Name : 41-F
 Site Code : F
 Start Date : 5/6/2008
 Page No : 2

Groups Printed- Car - Light Truck - Heavy Truck

Start Time	Garfield Avenue Southbound					Carteret Avenue Westbound					Garfield Avenue Northbound					Carteret Avenue Eastbound					Int. Total
	Left	Thru	Right	Peds	App. Total	Left	Thru	Right	Peds	App. Total	Left	Thru	Right	Peds	App. Total	Left	Thru	Right	Peds	App. Total	
*** BREAK ***																					
03:00 PM	2	130	5	0	137	6	7	5	0	18	1	99	6	0	106	5	4	1	0	10	271
03:15 PM	5	121	7	0	133	6	9	3	0	18	2	102	6	0	110	5	11	2	0	18	279
03:30 PM	3	119	9	0	131	6	10	4	0	20	7	100	9	0	116	6	12	1	0	19	286
03:45 PM	4	107	9	0	120	0	2	0	0	2	0	126	4	0	130	9	8	4	0	21	273
Total	14	477	30	0	521	18	28	12	0	58	10	427	25	0	462	25	35	8	0	68	1109
04:00 PM	1	109	7	0	117	1	2	1	0	4	5	145	3	0	153	8	13	7	0	28	302
04:15 PM	3	95	6	0	104	2	10	2	0	14	2	140	7	0	149	3	14	3	0	20	287
04:30 PM	1	65	8	0	74	5	2	4	0	11	6	135	11	0	152	5	8	12	0	25	262
04:45 PM	1	67	12	0	80	6	7	4	0	17	5	121	5	0	131	9	10	8	0	27	255
Total	6	336	33	0	375	14	21	11	0	46	18	541	26	0	585	25	45	30	0	100	1106
05:00 PM	2	78	6	0	86	9	5	7	0	21	7	151	11	0	169	3	12	4	0	19	295
05:15 PM	3	82	12	0	97	4	0	1	0	5	3	152	8	0	163	6	13	3	0	22	287
05:30 PM	1	68	7	0	76	1	1	0	0	2	1	173	2	0	176	4	16	6	0	26	280
05:45 PM	2	80	15	0	97	4	11	3	0	18	6	143	4	0	153	10	9	7	0	26	294
Total	8	308	40	0	356	18	17	11	0	46	17	619	25	0	661	23	50	20	0	93	1156
Grand Total	109	2790	253	0	3152	144	171	89	0	404	125	3650	192	1	3968	205	432	176	0	813	8337
Apprch %	3.5	88.5	8	0		35.6	42.3	22	0		3.2	92	4.8	0		25.2	53.1	21.6	0		
Total %	1.3	33.5	3	0	37.8	1.7	2.1	1.1	0	4.8	1.5	43.8	2.3	0	47.6	2.5	5.2	2.1	0	9.8	
Car	87	2544	242	0	2873	128	158	80	0	366	114	3478	179	1	3772	188	405	172	0	765	7776
% Car	79.8	91.2	95.7	0	91.1	88.9	92.4	89.9	0	90.6	91.2	95.3	93.2	100	95.1	91.7	93.8	97.7	0	94.1	93.3
Light Truck	13	185	11	0	209	6	9	4	0	19	9	120	8	0	137	17	25	4	0	46	411
% Light Truck	11.9	6.6	4.3	0	6.6	4.2	5.3	4.5	0	4.7	7.2	3.3	4.2	0	3.5	8.3	5.8	2.3	0	5.7	4.9
Heavy Truck	9	61	0	0	70	10	4	5	0	19	2	52	5	0	59	0	2	0	0	2	150
% Heavy Truck	8.3	2.2	0	0	2.2	6.9	2.3	5.6	0	4.7	1.6	1.4	2.6	0	1.5	0	0.5	0	0	0.2	1.8

TechniQuest Corporation

4105 US Route 1, Suite # 14
 Monmouth Junction, NJ 08852
 Phone: 732-274-9500 Fax: 732-274-9510

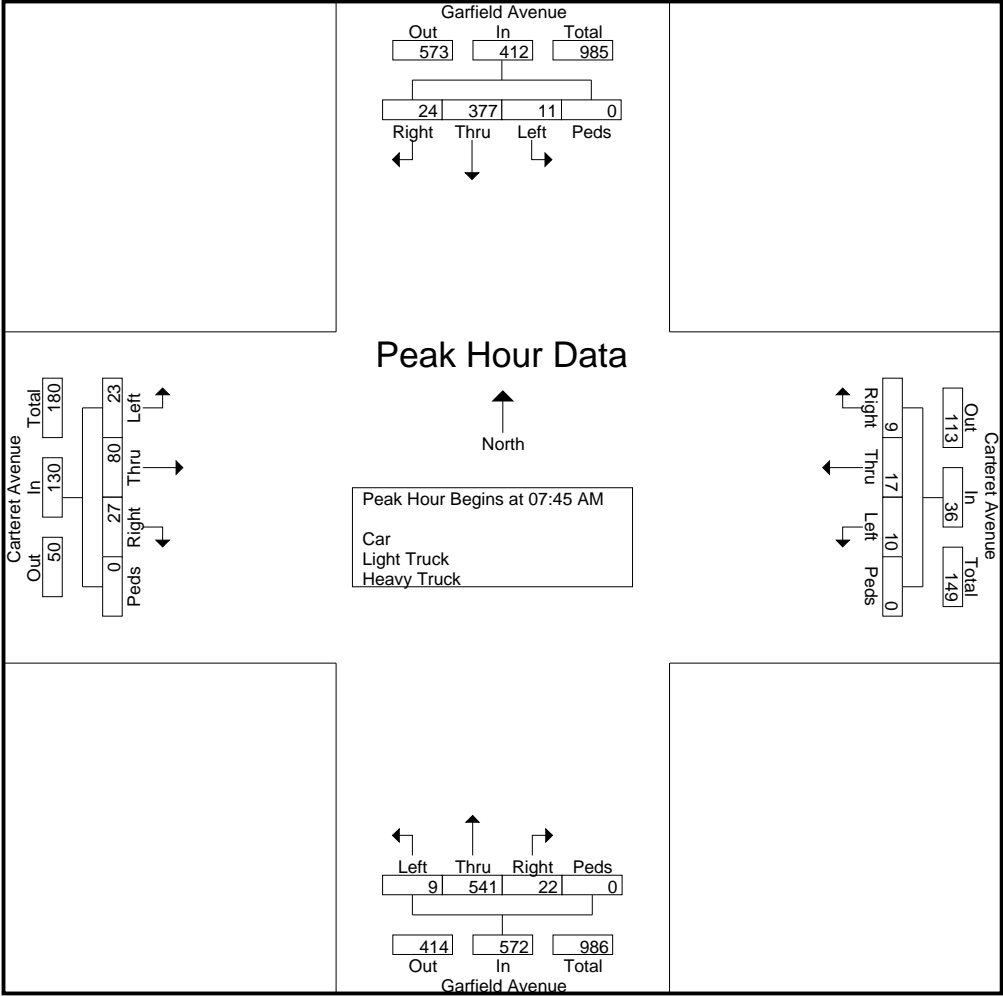
File Name : 41-F
 Site Code : F
 Start Date : 5/6/2008
 Page No : 3

Start Time	Garfield Avenue Southbound					Carteret Avenue Westbound					Garfield Avenue Northbound					Carteret Avenue Eastbound					Int. Total
	Left	Thru	Right	Peds	App. Total	Left	Thru	Right	Peds	App. Total	Left	Thru	Right	Peds	App. Total	Left	Thru	Right	Peds	App. Total	
Peak Hour Analysis From 07:45 AM to 08:30 AM - Peak 1 of 1																					
Peak Hour for Entire Intersection Begins at 07:45 AM																					
07:45 AM	5	96	8	0	109	1	2	1	0	4	2	179	4	0	185	6	20	3	0	29	327
08:00 AM	3	82	4	0	89	3	8	5	0	16	4	119	8	0	131	9	21	7	0	37	273
08:15 AM	1	95	3	0	99	4	4	2	0	10	1	126	5	0	132	1	16	10	0	27	268
08:30 AM	2	104	9	0	115	2	3	1	0	6	2	117	5	0	124	7	23	7	0	37	282
Total Volume	11	377	24	0	412	10	17	9	0	36	9	541	22	0	572	23	80	27	0	130	1150
% App. Total	2.7	91.5	5.8	0		27.8	47.2	25	0		1.6	94.6	3.8	0		17.7	61.5	20.8	0		
PHF	.550	.906	.667	.000	.896	.625	.531	.450	.000	.563	.563	.756	.688	.000	.773	.639	.870	.675	.000	.878	.879

TechniQuest Corporation

4105 US Route 1, Suite # 14
 Monmouth Junction, NJ 08852
 Phone: 732-274-9500 Fax: 732-274-9510

File Name : 41-F
 Site Code : F
 Start Date : 5/6/2008
 Page No : 4



TechniQuest Corporation

4105 US Route 1, Suite # 14
 Monmouth Junction, NJ 08852
 Phone: 732-274-9500 Fax: 732-274-9510

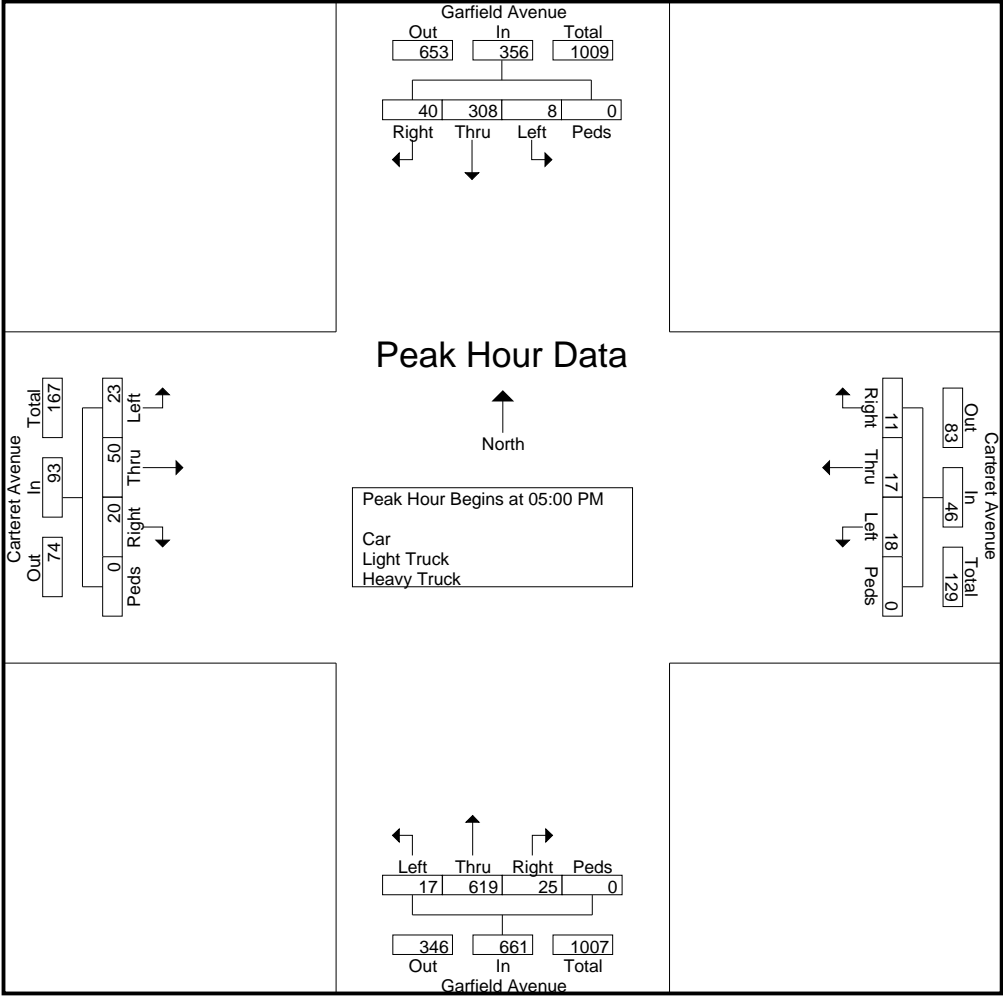
File Name : 41-F
 Site Code : F
 Start Date : 5/6/2008
 Page No : 5

Start Time	Garfield Avenue Southbound					Carteret Avenue Westbound					Garfield Avenue Northbound					Carteret Avenue Eastbound					Int. Total
	Left	Thru	Right	Peds	App. Total	Left	Thru	Right	Peds	App. Total	Left	Thru	Right	Peds	App. Total	Left	Thru	Right	Peds	App. Total	
Peak Hour Analysis From 05:00 PM to 05:45 PM - Peak 1 of 1																					
Peak Hour for Entire Intersection Begins at 05:00 PM																					
05:00 PM	2	78	6	0	86	9	5	7	0	21	7	151	11	0	169	3	12	4	0	19	295
05:15 PM	3	82	12	0	97	4	0	1	0	5	3	152	8	0	163	6	13	3	0	22	287
05:30 PM	1	68	7	0	76	1	1	0	0	2	1	173	2	0	176	4	16	6	0	26	280
05:45 PM	2	80	15	0	97	4	11	3	0	18	6	143	4	0	153	10	9	7	0	26	294
Total Volume	8	308	40	0	356	18	17	11	0	46	17	619	25	0	661	23	50	20	0	93	1156
% App. Total	2.2	86.5	11.2	0		39.1	37	23.9	0		2.6	93.6	3.8	0		24.7	53.8	21.5	0		
PHF	.667	.939	.667	.000	.918	.500	.386	.393	.000	.548	.607	.895	.568	.000	.939	.575	.781	.714	.000	.894	.980

TechniQuest Corporation

4105 US Route 1, Suite # 14
 Monmouth Junction, NJ 08852
 Phone: 732-274-9500 Fax: 732-274-9510

File Name : 41-F
 Site Code : F
 Start Date : 5/6/2008
 Page No : 6



TechniQuest Corporation

4105 US Route 1, Suite # 14
 Monmouth Junction, NJ 08852
 Phone: 732-274-9500 Fax: 732-274-9510

File Name : 06-01-AM
 Site Code : 1
 Start Date : 5/13/2008
 Page No : 1

Groups Printed- Car - Light Truck - Heavy Truck

Start Time	Palisade Avenue Southbound					Congress Street Westbound					Palisade Avenue Northbound					Congress Street Eastbound					Int. Total
	Left	Thru	Right	Peds	App. Total	Left	Thru	Right	Peds	App. Total	Left	Thru	Right	Peds	App. Total	Left	Thru	Right	Peds	App. Total	
06:30 AM	11	53	7	1	72	4	23	3	9	39	10	39	13	2	64	3	57	8	11	79	254
06:45 AM	11	56	9	1	77	8	20	2	11	41	10	44	15	1	70	4	55	10	18	87	275
Total	22	109	16	2	149	12	43	5	20	80	20	83	28	3	134	7	112	18	29	166	529
07:00 AM	16	62	10	7	95	7	24	7	23	61	22	40	12	4	78	6	57	16	21	100	334
07:15 AM	14	64	18	2	98	11	34	5	39	89	21	38	13	10	82	7	58	18	22	105	374
07:30 AM	14	60	16	2	92	8	47	9	43	107	18	50	13	7	88	6	63	18	32	119	406
07:45 AM	11	47	29	1	88	8	39	9	47	103	22	48	16	11	97	5	55	17	22	99	387
Total	55	233	73	12	373	34	144	30	152	360	83	176	54	32	345	24	233	69	97	423	1501
08:00 AM	12	54	26	1	93	9	39	7	38	93	30	43	8	5	86	14	59	16	44	133	405
08:15 AM	15	55	21	7	98	5	32	11	18	66	27	41	8	3	79	24	54	17	48	143	386
08:30 AM	15	59	25	2	101	8	38	7	19	72	25	50	14	12	101	8	51	18	26	103	377
08:45 AM	11	58	17	2	88	14	25	3	14	56	18	45	7	6	76	16	56	16	42	130	350
Total	53	226	89	12	380	36	134	28	89	287	100	179	37	26	342	62	220	67	160	509	1518
Grand Total	130	568	178	26	902	82	321	63	261	727	203	438	119	61	821	93	565	154	286	1098	3548
Apprch %	14.4	63	19.7	2.9		11.3	44.2	8.7	35.9		24.7	53.3	14.5	7.4		8.5	51.5	14	26		
Total %	3.7	16	5	0.7	25.4	2.3	9	1.8	7.4	20.5	5.7	12.3	3.4	1.7	23.1	2.6	15.9	4.3	8.1	30.9	
Car	121	523	176	26	846	62	300	57	261	680	192	327	86	61	666	93	555	149	286	1083	3275
% Car	93.1	92.1	98.9	100	93.8	75.6	93.5	90.5	100	93.5	94.6	74.7	72.3	100	81.1	100	98.2	96.8	100	98.6	92.3
Light Truck	9	39	2	0	50	20	17	4	0	41	11	104	32	0	147	0	9	5	0	14	252
% Light Truck	6.9	6.9	1.1	0	5.5	24.4	5.3	6.3	0	5.6	5.4	23.7	26.9	0	17.9	0	1.6	3.2	0	1.3	7.1
Heavy Truck	0	6	0	0	6	0	4	2	0	6	0	7	1	0	8	0	1	0	0	1	21
% Heavy Truck	0	1.1	0	0	0.7	0	1.2	3.2	0	0.8	0	1.6	0.8	0	1	0	0.2	0	0	0.1	0.6

TechniQuest Corporation

4105 US Route 1, Suite # 14
 Monmouth Junction, NJ 08852
 Phone: 732-274-9500 Fax: 732-274-9510

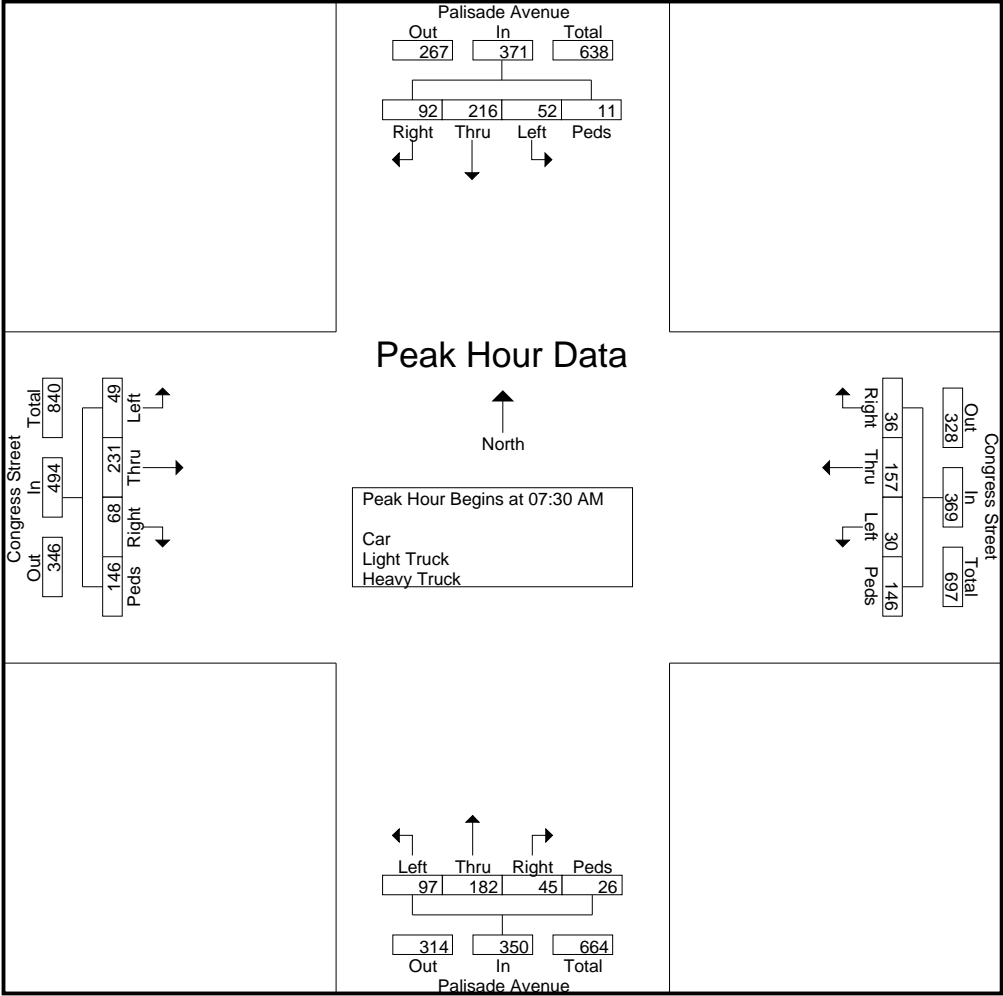
File Name : 06-01-AM
 Site Code : 1
 Start Date : 5/13/2008
 Page No : 2

Start Time	Palisade Avenue Southbound					Congress Street Westbound					Palisade Avenue Northbound					Congress Street Eastbound					Int. Total
	Left	Thru	Right	Peds	App. Total	Left	Thru	Right	Peds	App. Total	Left	Thru	Right	Peds	App. Total	Left	Thru	Right	Peds	App. Total	
Peak Hour Analysis From 06:30 AM to 08:45 AM - Peak 1 of 1																					
Peak Hour for Entire Intersection Begins at 07:30 AM																					
07:30 AM	14	60	16	2	92	8	47	9	43	107	18	50	13	7	88	6	63	18	32	119	406
07:45 AM	11	47	29	1	88	8	39	9	47	103	22	48	16	11	97	5	55	17	22	99	387
08:00 AM	12	54	26	1	93	9	39	7	38	93	30	43	8	5	86	14	59	16	44	133	405
08:15 AM	15	55	21	7	98	5	32	11	18	66	27	41	8	3	79	24	54	17	48	143	386
Total Volume	52	216	92	11	371	30	157	36	146	369	97	182	45	26	350	49	231	68	146	494	1584
% App. Total	14	58.2	24.8	3		8.1	42.5	9.8	39.6		27.7	52	12.9	7.4		9.9	46.8	13.8	29.6		
PHF	.867	.900	.793	.393	.946	.833	.835	.818	.777	.862	.808	.910	.703	.591	.902	.510	.917	.944	.760	.864	.975

TechniQuest Corporation

4105 US Route 1, Suite # 14
 Monmouth Junction, NJ 08852
 Phone: 732-274-9500 Fax: 732-274-9510

File Name : 06-01-AM
 Site Code : 1
 Start Date : 5/13/2008
 Page No : 3



TechniQuest Corporation
 4105 US Route 1, Suite # 14
 Monmouth Junction, NJ 08852
 Phone: 732-274-9500 Fax: 732-274-9510

File Name : 06-01-PM
 Site Code : 1
 Start Date : 5/13/2008
 Page No : 1

Groups Printed- Car - Light Truck - Heavy Truck

Start Time	Palisade Avenue Southbound					Congress Street Westbound					Palisade Avenue Northbound					Congress Street Eastbound					Int. Total
	Left	Thru	Right	Peds	App. Total	Left	Thru	Right	Peds	App. Total	Left	Thru	Right	Peds	App. Total	Left	Thru	Right	Peds	App. Total	
04:00 PM	15	39	8	12	74	10	48	8	35	101	11	45	10	15	81	7	36	6	33	82	338
04:15 PM	17	54	9	15	95	7	54	6	30	97	13	56	10	6	85	12	41	9	40	102	379
04:30 PM	12	45	10	11	78	13	38	5	27	83	11	49	14	4	78	15	35	4	66	120	359
04:45 PM	6	56	7	9	78	13	48	9	26	96	9	49	11	7	76	7	36	2	37	82	332
Total	50	194	34	47	325	43	188	28	118	377	44	199	45	32	320	41	148	21	176	386	1408
05:00 PM	10	75	18	20	123	16	47	6	24	93	13	69	16	14	112	4	30	9	42	85	413
05:15 PM	10	87	7	13	117	18	42	10	20	90	9	59	13	14	95	4	48	4	72	128	430
05:30 PM	8	98	11	16	133	19	58	4	38	119	13	64	12	3	92	3	47	6	80	136	480
05:45 PM	14	50	3	7	74	24	62	9	35	130	12	45	13	4	74	4	43	9	68	124	402
Total	42	310	39	56	447	77	209	29	117	432	47	237	54	35	373	15	168	28	262	473	1725
06:00 PM	12	46	3	5	66	13	53	13	25	104	20	52	15	6	93	3	40	9	59	111	374
06:15 PM	15	38	2	6	61	18	63	11	29	121	14	54	11	5	84	2	36	7	55	100	366
Grand Total	119	588	78	114	899	151	513	81	289	1034	125	542	125	78	870	61	392	65	552	1070	3873
Apprch %	13.2	65.4	8.7	12.7		14.6	49.6	7.8	27.9		14.4	62.3	14.4	9		5.7	36.6	6.1	51.6		
Total %	3.1	15.2	2	2.9	23.2	3.9	13.2	2.1	7.5	26.7	3.2	14	3.2	2	22.5	1.6	10.1	1.7	14.3	27.6	
Car	106	488	60	113	767	126	499	76	289	990	114	421	99	78	712	49	378	59	552	1038	3507
% Car	89.1	83	76.9	99.1	85.3	83.4	97.3	93.8	100	95.7	91.2	77.7	79.2	100	81.8	80.3	96.4	90.8	100	97	90.5
Light Truck	13	100	18	1	132	24	13	4	0	41	11	119	26	0	156	12	14	5	0	31	360
% Light Truck	10.9	17	23.1	0.9	14.7	15.9	2.5	4.9	0	4	8.8	22	20.8	0	17.9	19.7	3.6	7.7	0	2.9	9.3
Heavy Truck	0	0	0	0	0	1	1	1	0	3	0	2	0	0	2	0	0	1	0	1	6
% Heavy Truck	0	0	0	0	0	0.7	0.2	1.2	0	0.3	0	0.4	0	0.2	0	0	0	1.5	0	0.1	0.2

TechniQuest Corporation

4105 US Route 1, Suite # 14
 Monmouth Junction, NJ 08852
 Phone: 732-274-9500 Fax: 732-274-9510

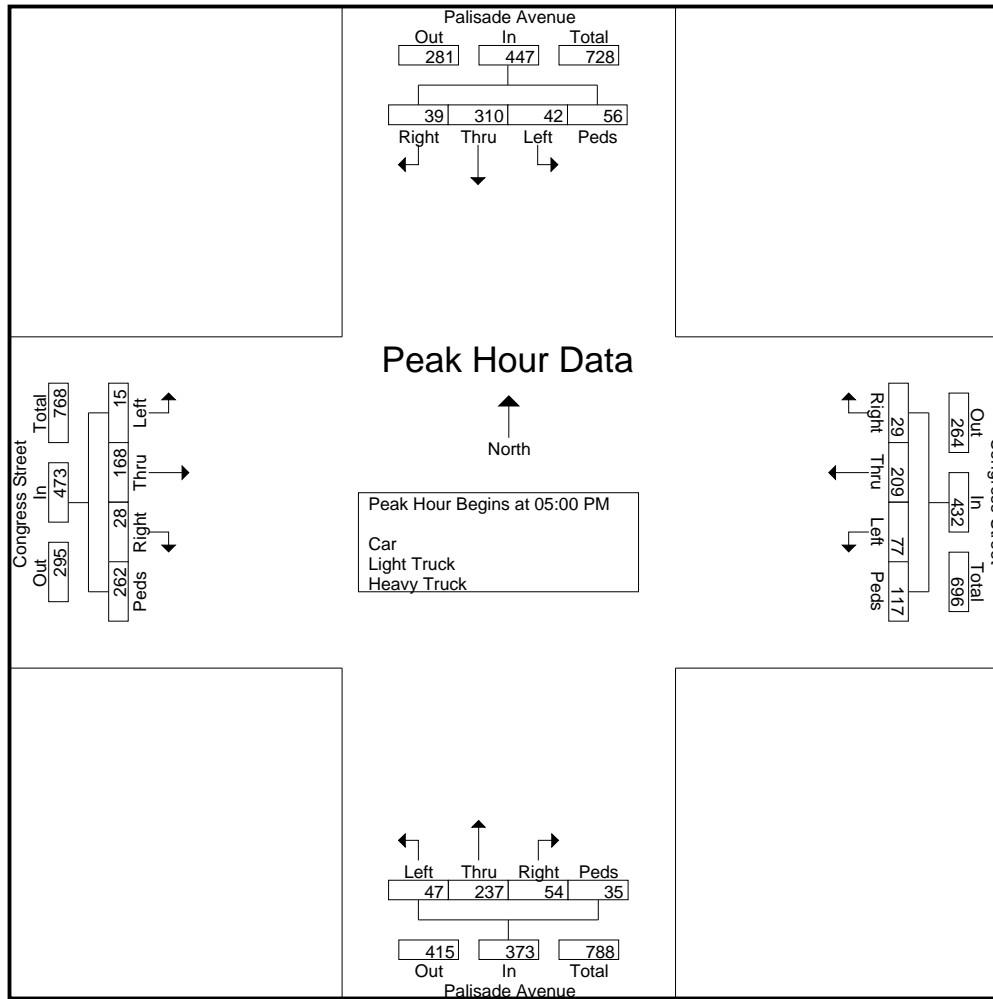
File Name : 06-01-PM
 Site Code : 1
 Start Date : 5/13/2008
 Page No : 2

Start Time	Palisade Avenue Southbound					Congress Street Westbound					Palisade Avenue Northbound					Congress Street Eastbound					Int. Total
	Left	Thru	Right	Peds	App. Total	Left	Thru	Right	Peds	App. Total	Left	Thru	Right	Peds	App. Total	Left	Thru	Right	Peds	App. Total	
Peak Hour Analysis From 04:00 PM to 06:00 PM - Peak 1 of 1																					
Peak Hour for Entire Intersection Begins at 05:00 PM																					
05:00 PM	10	75	18	20	123	16	47	6	24	93	13	69	16	14	112	4	30	9	42	85	413
05:15 PM	10	87	7	13	117	18	42	10	20	90	9	59	13	14	95	4	48	4	72	128	430
05:30 PM	8	98	11	16	133	19	58	4	38	119	13	64	12	3	92	3	47	6	80	136	480
05:45 PM	14	50	3	7	74	24	62	9	35	130	12	45	13	4	74	4	43	9	68	124	402
Total Volume	42	310	39	56	447	77	209	29	117	432	47	237	54	35	373	15	168	28	262	473	1725
% App. Total	9.4	69.4	8.7	12.5		17.8	48.4	6.7	27.1		12.6	63.5	14.5	9.4		3.2	35.5	5.9	55.4		
PHF	.750	.791	.542	.700	.840	.802	.843	.725	.770	.831	.904	.859	.844	.625	.833	.938	.875	.778	.819	.869	.898

TechniQuest Corporation

4105 US Route 1, Suite # 14
 Monmouth Junction, NJ 08852
 Phone: 732-274-9500 Fax: 732-274-9510

File Name : 06-01-PM
 Site Code : 1
 Start Date : 5/13/2008
 Page No : 3



TechniQuest Corporation
 4105 US Route 1, Suite # 14
 Monmouth Junction, NJ 08852
 Phone: 732-274-9500 Fax: 732-274-9510

File Name : 06-02-AM
 Site Code : 2
 Start Date : 5/13/2008
 Page No : 1

Groups Printed- Car - Light Truck - Heavy Truck

Start Time	Central Avenue Southbound					Congress Street Westbound					Central Avenue Northbound					Congress Street Eastbound					Int. Total
	Left	Thru	Right	Peds	App. Total	Left	Thru	Right	Peds	App. Total	Left	Thru	Right	Peds	App. Total	Left	Thru	Right	Peds	App. Total	
06:30 AM	24	34	0	8	66	20	0	26	2	48	0	40	24	0	64	9	28	10	7	54	232
06:45 AM	30	42	0	7	79	18	0	25	2	45	0	40	32	0	72	8	20	13	2	43	239
Total	54	76	0	15	145	38	0	51	4	93	0	80	56	0	136	17	48	23	9	97	471
07:00 AM	17	42	0	7	66	22	0	30	11	63	0	33	47	0	80	3	22	13	4	42	251
07:15 AM	25	47	0	6	78	29	0	42	8	79	0	38	48	0	86	7	21	9	0	37	280
07:30 AM	28	52	0	4	84	25	0	42	13	80	0	35	50	0	85	9	26	4	1	40	289
07:45 AM	24	49	0	6	79	32	0	54	14	100	0	45	40	0	85	12	24	10	2	48	312
Total	94	190	0	23	307	108	0	168	46	322	0	151	185	0	336	31	93	36	7	167	1132
08:00 AM	21	54	0	8	83	30	0	50	18	98	0	46	55	0	101	7	25	14	12	58	340
08:15 AM	22	60	0	13	95	30	0	38	15	83	0	47	61	0	108	8	27	7	10	52	338
08:30 AM	27	53	0	8	88	29	0	49	17	95	0	56	33	0	89	9	27	14	9	59	331
08:45 AM	29	45	0	15	89	20	0	40	1	61	0	48	55	0	103	5	22	17	9	53	306
Total	99	212	0	44	355	109	0	177	51	337	0	197	204	0	401	29	101	52	40	222	1315
Grand Total	247	478	0	82	807	255	0	396	101	752	0	428	445	0	873	77	242	111	56	486	2918
Apprch %	30.6	59.2	0	10.2		33.9	0	52.7	13.4		0	49	51	0		15.8	49.8	22.8	11.5		
Total %	8.5	16.4	0	2.8	27.7	8.7	0	13.6	3.5	25.8	0	14.7	15.3	0	29.9	2.6	8.3	3.8	1.9	16.7	
Car	243	446	0	82	771	231	0	373	101	705	0	399	433	0	832	73	233	105	56	467	2775
% Car	98.4	93.3	0	100	95.5	90.6	0	94.2	100	93.8	0	93.2	97.3	0	95.3	94.8	96.3	94.6	100	96.1	95.1
Light Truck	4	30	0	0	34	19	0	18	0	37	0	21	7	0	28	4	9	6	0	19	118
% Light Truck	1.6	6.3	0	0	4.2	7.5	0	4.5	0	4.9	0	4.9	1.6	0	3.2	5.2	3.7	5.4	0	3.9	4
Heavy Truck	0	2	0	0	2	5	0	5	0	10	0	8	5	0	13	0	0	0	0	0	25
% Heavy Truck	0	0.4	0	0	0.2	2	0	1.3	0	1.3	0	1.9	1.1	0	1.5	0	0	0	0	0	0.9

TechniQuest Corporation

4105 US Route 1, Suite # 14
 Monmouth Junction, NJ 08852
 Phone: 732-274-9500 Fax: 732-274-9510

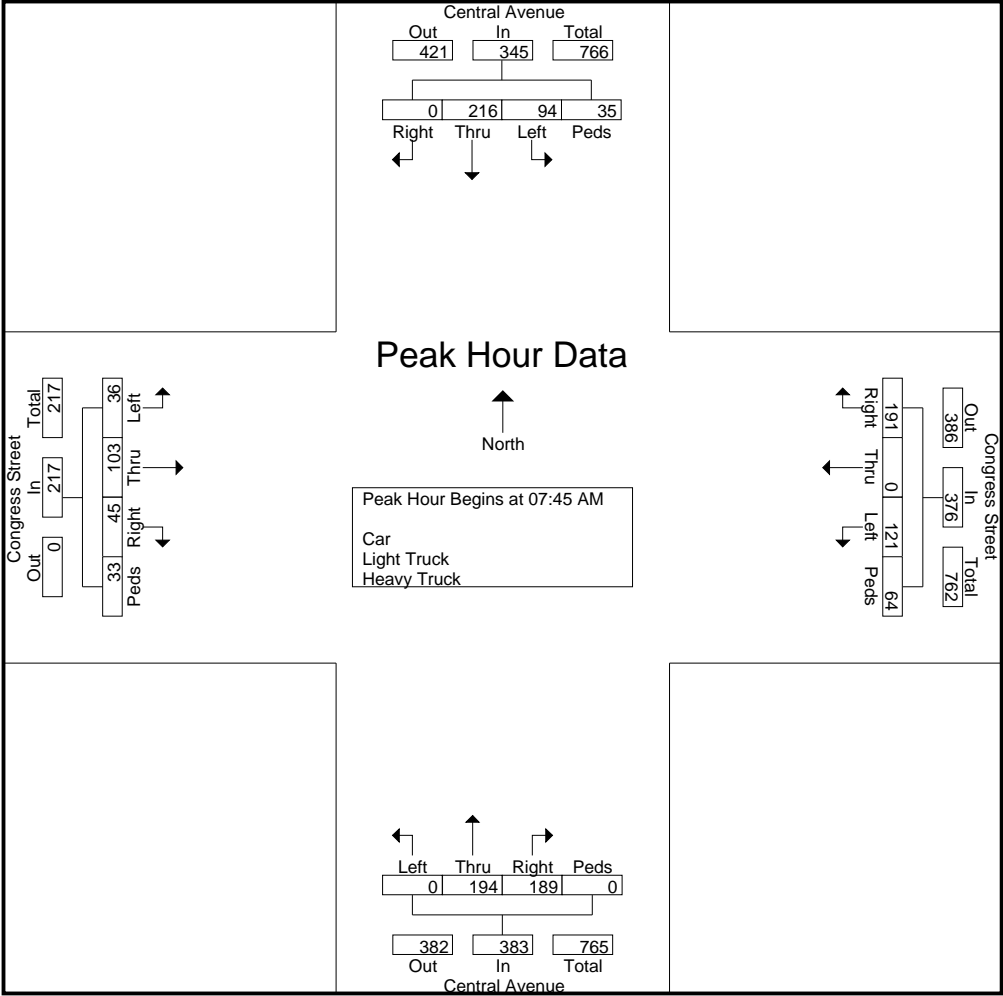
File Name : 06-02-AM
 Site Code : 2
 Start Date : 5/13/2008
 Page No : 2

Start Time	Central Avenue Southbound					Congress Street Westbound					Central Avenue Northbound					Congress Street Eastbound					Int. Total
	Left	Thru	Right	Peds	App. Total	Left	Thru	Right	Peds	App. Total	Left	Thru	Right	Peds	App. Total	Left	Thru	Right	Peds	App. Total	
Peak Hour Analysis From 06:30 AM to 08:45 AM - Peak 1 of 1																					
Peak Hour for Entire Intersection Begins at 07:45 AM																					
07:45 AM	24	49	0	6	79	32	0	54	14	100	0	45	40	0	85	12	24	10	2	48	312
08:00 AM	21	54	0	8	83	30	0	50	18	98	0	46	55	0	101	7	25	14	12	58	340
08:15 AM	22	60	0	13	95	30	0	38	15	83	0	47	61	0	108	8	27	7	10	52	338
08:30 AM	27	53	0	8	88	29	0	49	17	95	0	56	33	0	89	9	27	14	9	59	331
Total Volume	94	216	0	35	345	121	0	191	64	376	0	194	189	0	383	36	103	45	33	217	1321
% App. Total	27.2	62.6	0	10.1		32.2	0	50.8	17		0	50.7	49.3	0		16.6	47.5	20.7	15.2		
PHF	.870	.900	.000	.673	.908	.945	.000	.884	.889	.940	.000	.866	.775	.000	.887	.750	.954	.804	.688	.919	.971

TechniQuest Corporation

4105 US Route 1, Suite # 14
 Monmouth Junction, NJ 08852
 Phone: 732-274-9500 Fax: 732-274-9510

File Name : 06-02-AM
 Site Code : 2
 Start Date : 5/13/2008
 Page No : 3



TechniQuest Corporation

4105 US Route 1, Suite # 14
 Monmouth Junction, NJ 08852
 Phone: 732-274-9500 Fax: 732-274-9510

File Name : 06-02-PM
 Site Code : 2
 Start Date : 5/13/2008
 Page No : 1

Groups Printed- Car - Light Truck - Heavy Truck

Start Time	Central Avenue Southbound					Congress Street Westbound					Central Avenue Northbound					Congress Street Eastbound					Int. Total
	Left	Thru	Right	Peds	App. Total	Left	Thru	Right	Peds	App. Total	Left	Thru	Right	Peds	App. Total	Left	Thru	Right	Peds	App. Total	
04:00 PM	20	61	0	24	105	30	0	39	20	89	0	39	11	0	50	6	18	16	10	50	294
04:15 PM	10	60	0	30	100	34	0	38	4	76	0	56	29	0	85	5	24	20	5	54	315
04:30 PM	12	62	0	29	103	28	0	34	16	78	0	69	23	0	92	5	26	10	18	59	332
04:45 PM	7	56	0	44	107	19	0	46	12	77	0	60	14	0	74	6	25	11	10	52	310
Total	49	239	0	127	415	111	0	157	52	320	0	224	77	0	301	22	93	57	43	215	1251
05:00 PM	11	76	0	20	107	42	0	38	7	87	0	51	15	0	66	6	15	20	10	51	311
05:15 PM	13	77	0	31	121	16	0	46	4	66	0	60	11	0	71	5	23	14	17	59	317
05:30 PM	10	69	0	19	98	37	0	42	5	84	0	46	17	0	63	8	19	14	5	46	291
05:45 PM	13	42	0	32	87	35	0	44	9	88	0	52	29	0	81	10	14	12	15	51	307
Total	47	264	0	102	413	130	0	170	25	325	0	209	72	0	281	29	71	60	47	207	1226
06:00 PM	12	57	0	28	97	32	0	43	8	83	0	58	8	0	66	11	33	18	6	68	314
06:15 PM	7	63	0	27	97	25	0	53	6	84	0	62	19	0	81	2	16	12	7	37	299
Grand Total	115	623	0	284	1022	298	0	423	91	812	0	553	176	0	729	64	213	147	103	527	3090
Apprch %	11.3	61	0	27.8		36.7	0	52.1	11.2		0	75.9	24.1	0		12.1	40.4	27.9	19.5		
Total %	3.7	20.2	0	9.2	33.1	9.6	0	13.7	2.9	26.3	0	17.9	5.7	0	23.6	2.1	6.9	4.8	3.3	17.1	
Car	110	589	0	284	983	282	0	413	91	786	0	539	169	0	708	63	205	146	103	517	2994
% Car	95.7	94.5	0	100	96.2	94.6	0	97.6	100	96.8	0	97.5	96	0	97.1	98.4	96.2	99.3	100	98.1	96.9
Light Truck	5	33	0	0	38	10	0	5	0	15	0	14	3	0	17	1	8	1	0	10	80
% Light Truck	4.3	5.3	0	0	3.7	3.4	0	1.2	0	1.8	0	2.5	1.7	0	2.3	1.6	3.8	0.7	0	1.9	2.6
Heavy Truck	0	1	0	0	1	6	0	5	0	11	0	0	4	0	4	0	0	0	0	0	16
% Heavy Truck	0	0.2	0	0	0.1	2	0	1.2	0	1.4	0	0	2.3	0	0.5	0	0	0	0	0	0.5

TechniQuest Corporation

4105 US Route 1, Suite # 14
 Monmouth Junction, NJ 08852
 Phone: 732-274-9500 Fax: 732-274-9510

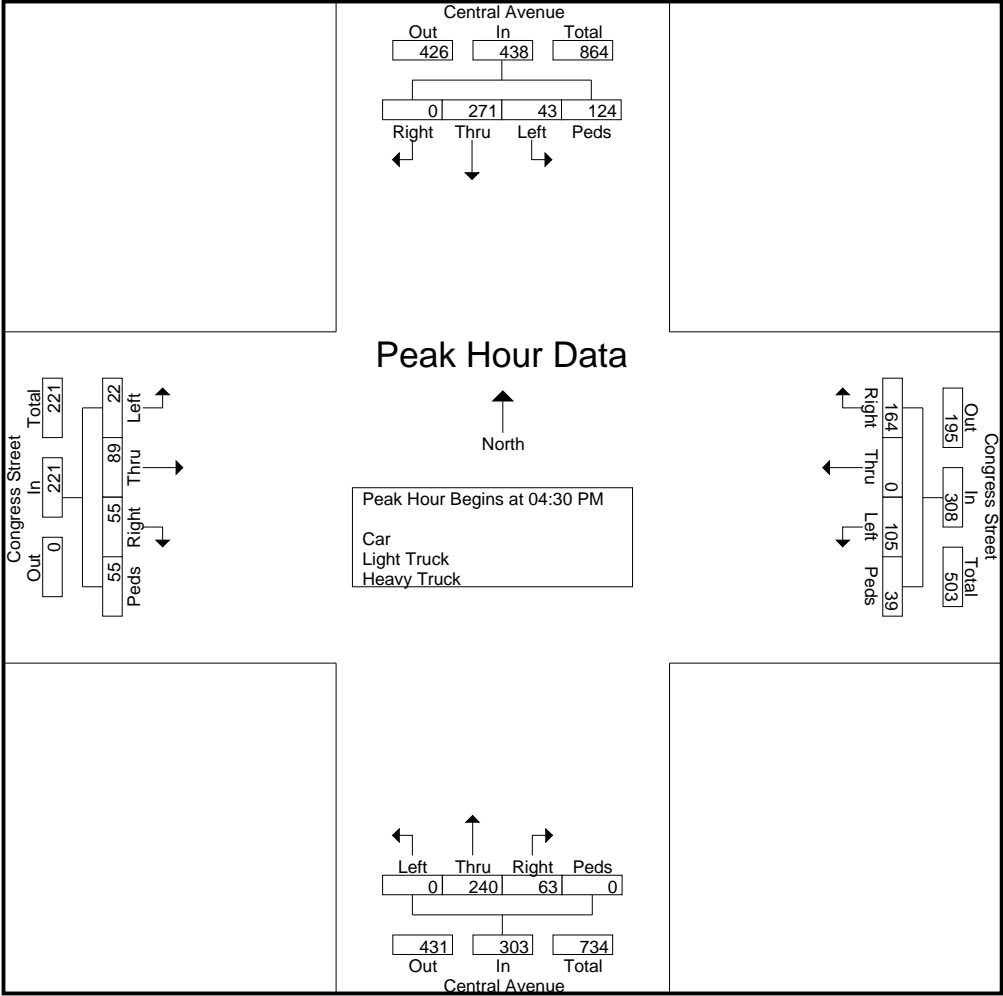
File Name : 06-02-PM
 Site Code : 2
 Start Date : 5/13/2008
 Page No : 2

Start Time	Central Avenue Southbound					Congress Street Westbound					Central Avenue Northbound					Congress Street Eastbound					Int. Total
	Left	Thru	Right	Peds	App. Total	Left	Thru	Right	Peds	App. Total	Left	Thru	Right	Peds	App. Total	Left	Thru	Right	Peds	App. Total	
Peak Hour Analysis From 04:00 PM to 06:15 PM - Peak 1 of 1																					
Peak Hour for Entire Intersection Begins at 04:30 PM																					
04:30 PM	12	62	0	29	103	28	0	34	16	78	0	69	23	0	92	5	26	10	18	59	332
04:45 PM	7	56	0	44	107	19	0	46	12	77	0	60	14	0	74	6	25	11	10	52	310
05:00 PM	11	76	0	20	107	42	0	38	7	87	0	51	15	0	66	6	15	20	10	51	311
05:15 PM	13	77	0	31	121	16	0	46	4	66	0	60	11	0	71	5	23	14	17	59	317
Total Volume	43	271	0	124	438	105	0	164	39	308	0	240	63	0	303	22	89	55	55	221	1270
% App. Total	9.8	61.9	0	28.3		34.1	0	53.2	12.7		0	79.2	20.8	0		10	40.3	24.9	24.9		
PHF	.827	.880	.000	.705	.905	.625	.000	.891	.609	.885	.000	.870	.685	.000	.823	.917	.856	.688	.764	.936	.956

TechniQuest Corporation

4105 US Route 1, Suite # 14
 Monmouth Junction, NJ 08852
 Phone: 732-274-9500 Fax: 732-274-9510

File Name : 06-02-PM
 Site Code : 2
 Start Date : 5/13/2008
 Page No : 3



TechniQuest Corporation

4105 US Route 1, Suite # 14
 Monmouth Junction, NJ 08852
 Phone: 732-274-9500 Fax: 732-274-9510

File Name : 06-03-AM
 Site Code : 3
 Start Date : 5/13/2008
 Page No : 1

Groups Printed- Car - Light Truck - Heavy Truck

Start Time	Central Avenue Southbound					Bowers Street Westbound					Central Avenue Northbound					Bowers Street Eastbound					Int. Total
	Left	Thru	Right	Peds	App. Total	Left	Thru	Right	Peds	App. Total	Left	Thru	Right	Peds	App. Total	Left	Thru	Right	Peds	App. Total	
06:30 AM	0	63	1	3	67	7	2	10	2	21	2	50	0	10	62	4	0	4	2	10	160
06:45 AM	0	73	0	4	77	8	3	12	1	24	1	57	0	8	66	3	0	7	1	11	178
Total	0	136	1	7	144	15	5	22	3	45	3	107	0	18	128	7	0	11	3	21	338
07:00 AM	0	77	1	3	81	11	6	14	4	35	1	60	0	11	72	6	0	7	7	20	208
07:15 AM	0	72	2	9	83	11	10	23	6	50	0	56	0	15	71	7	0	11	19	37	241
07:30 AM	0	78	6	4	88	18	11	14	2	45	4	62	0	12	78	9	0	10	11	30	241
07:45 AM	0	92	1	3	96	16	17	17	2	52	4	57	0	22	83	11	0	11	9	31	262
Total	0	319	10	19	348	56	44	68	14	182	9	235	0	60	304	33	0	39	46	118	952
08:00 AM	0	98	2	4	104	13	19	25	0	57	3	60	0	22	85	16	0	12	18	46	292
08:15 AM	0	93	3	1	97	9	21	25	0	55	5	76	0	49	130	7	0	9	19	35	317
08:30 AM	0	95	2	2	99	10	23	23	0	56	7	54	0	33	94	11	0	12	9	32	281
08:45 AM	0	85	0	1	86	12	15	25	0	52	2	59	0	24	85	16	0	11	9	36	259
Total	0	371	7	8	386	44	78	98	0	220	17	249	0	128	394	50	0	44	55	149	1149
Grand Total	0	826	18	34	878	115	127	188	17	447	29	591	0	206	826	90	0	94	104	288	2439
Apprch %	0	94.1	2.1	3.9		25.7	28.4	42.1	3.8		3.5	71.5	0	24.9		31.2	0	32.6	36.1		
Total %	0	33.9	0.7	1.4	36	4.7	5.2	7.7	0.7	18.3	1.2	24.2	0	8.4	33.9	3.7	0	3.9	4.3	11.8	
Car	0	793	18	34	845	110	121	181	17	429	27	556	0	206	789	89	0	90	104	283	2346
% Car	0	96	100	100	96.2	95.7	95.3	96.3	100	96	93.1	94.1	0	100	95.5	98.9	0	95.7	100	98.3	96.2
Light Truck	0	29	0	0	29	5	6	6	0	17	1	30	0	0	31	1	0	2	0	3	80
% Light Truck	0	3.5	0	0	3.3	4.3	4.7	3.2	0	3.8	3.4	5.1	0	0	3.8	1.1	0	2.1	0	1	3.3
Heavy Truck	0	4	0	0	4	0	0	1	0	1	1	5	0	0	6	0	0	2	0	2	13
% Heavy Truck	0	0.5	0	0	0.5	0	0	0.5	0	0.2	3.4	0.8	0	0	0.7	0	0	2.1	0	0.7	0.5

TechniQuest Corporation

4105 US Route 1, Suite # 14
 Monmouth Junction, NJ 08852
 Phone: 732-274-9500 Fax: 732-274-9510

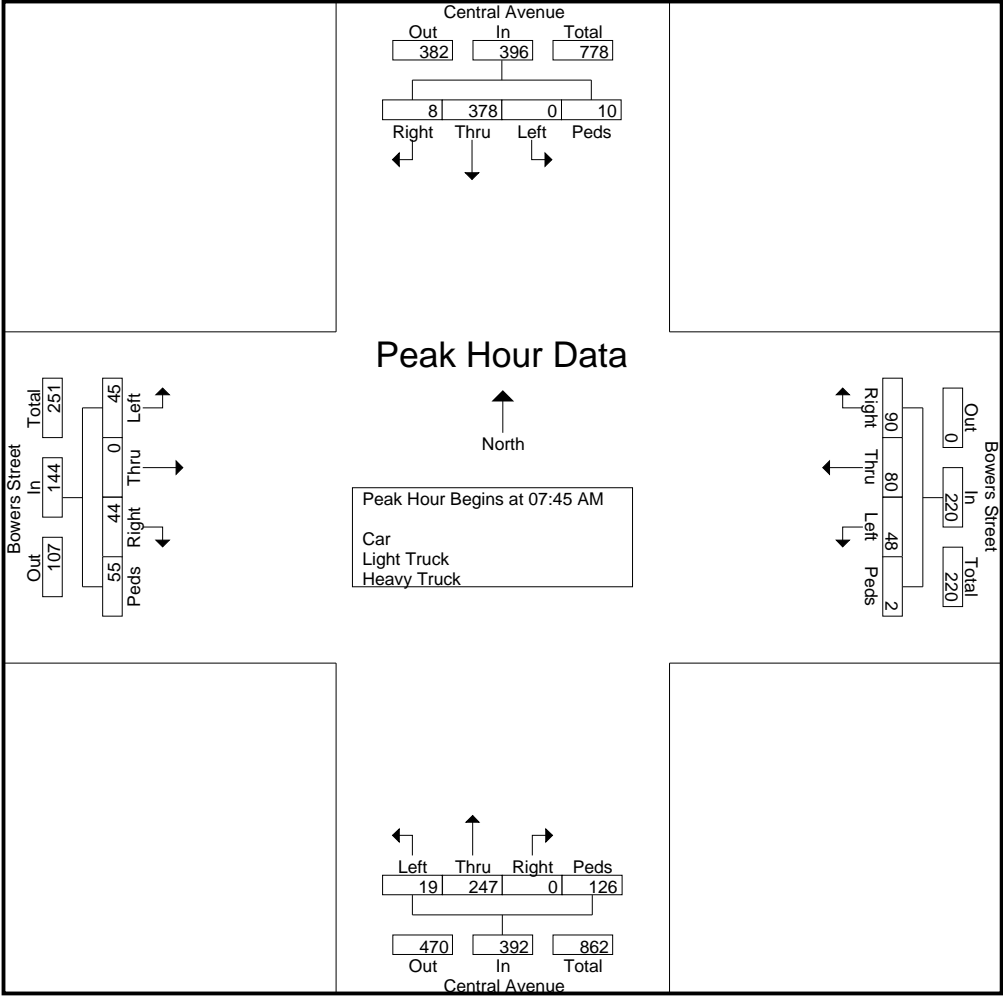
File Name : 06-03-AM
 Site Code : 3
 Start Date : 5/13/2008
 Page No : 2

Start Time	Central Avenue Southbound					Bowers Street Westbound					Central Avenue Northbound					Bowers Street Eastbound					Int. Total
	Left	Thru	Right	Peds	App. Total	Left	Thru	Right	Peds	App. Total	Left	Thru	Right	Peds	App. Total	Left	Thru	Right	Peds	App. Total	
Peak Hour Analysis From 06:30 AM to 08:45 AM - Peak 1 of 1																					
Peak Hour for Entire Intersection Begins at 07:45 AM																					
07:45 AM	0	92	1	3	96	16	17	17	2	52	4	57	0	22	83	11	0	11	9	31	262
08:00 AM	0	98	2	4	104	13	19	25	0	57	3	60	0	22	85	16	0	12	18	46	292
08:15 AM	0	93	3	1	97	9	21	25	0	55	5	76	0	49	130	7	0	9	19	35	317
08:30 AM	0	95	2	2	99	10	23	23	0	56	7	54	0	33	94	11	0	12	9	32	281
Total Volume	0	378	8	10	396	48	80	90	2	220	19	247	0	126	392	45	0	44	55	144	1152
% App. Total	0	95.5	2	2.5		21.8	36.4	40.9	0.9		4.8	63	0	32.1		31.2	0	30.6	38.2		
PHF	.000	.964	.667	.625	.952	.750	.870	.900	.250	.965	.679	.813	.000	.643	.754	.703	.000	.917	.724	.783	.909

TechniQuest Corporation

4105 US Route 1, Suite # 14
 Monmouth Junction, NJ 08852
 Phone: 732-274-9500 Fax: 732-274-9510

File Name : 06-03-AM
 Site Code : 3
 Start Date : 5/13/2008
 Page No : 3



TechniQuest Corporation

4105 US Route 1, Suite # 14
 Monmouth Junction, NJ 08852
 Phone: 732-274-9500 Fax: 732-274-9510

File Name : 06-03-PM
 Site Code : 3
 Start Date : 5/13/2008
 Page No : 1

Groups Printed- Car - Light Truck - Heavy Truck

Start Time	Central Avenue Southbound					Bowers Street Westbound					Central Avenue Northbound					Bowers Street Eastbound					Int. Total
	Left	Thru	Right	Peds	App. Total	Left	Thru	Right	Peds	App. Total	Left	Thru	Right	Peds	App. Total	Left	Thru	Right	Peds	App. Total	
04:00 PM	0	105	3	10	118	17	13	13	4	47	4	30	0	9	43	8	0	7	7	22	230
04:15 PM	0	111	4	11	126	20	18	19	5	62	5	40	0	15	60	21	0	4	6	31	279
04:30 PM	0	89	5	19	113	23	24	25	6	78	1	52	0	31	84	16	0	1	9	26	301
04:45 PM	0	78	8	16	102	18	21	25	7	71	2	31	0	18	51	19	0	4	13	36	260
Total	0	383	20	56	459	78	76	82	22	258	12	153	0	73	238	64	0	16	35	115	1070
05:00 PM	0	128	2	30	160	16	19	29	10	74	6	28	0	17	51	12	0	8	3	23	308
05:15 PM	0	105	4	24	133	18	12	23	7	60	1	44	0	19	64	6	0	7	3	16	273
05:30 PM	0	113	3	18	134	19	12	23	1	55	5	36	0	14	55	8	0	5	3	16	260
05:45 PM	0	82	2	10	94	17	9	29	5	60	1	46	0	8	55	8	0	7	8	23	232
Total	0	428	11	82	521	70	52	104	23	249	13	154	0	58	225	34	0	27	17	78	1073
06:00 PM	0	100	4	18	122	24	8	30	4	66	1	27	0	6	34	13	0	16	10	39	261
06:15 PM	0	95	2	27	124	16	18	25	4	63	5	55	0	27	87	4	0	2	5	11	285
Grand Total	0	1006	37	183	1226	188	154	241	53	636	31	389	0	164	584	115	0	61	67	243	2689
Apprch %	0	82.1	3	14.9		29.6	24.2	37.9	8.3		5.3	66.6	0	28.1		47.3	0	25.1	27.6		
Total %	0	37.4	1.4	6.8	45.6	7	5.7	9	2	23.7	1.2	14.5	0	6.1	21.7	4.3	0	2.3	2.5	9	
Car	0	985	37	183	1205	179	151	237	53	620	30	365	0	164	559	114	0	60	67	241	2625
% Car	0	97.9	100	100	98.3	95.2	98.1	98.3	100	97.5	96.8	93.8	0	100	95.7	99.1	0	98.4	100	99.2	97.6
Light Truck	0	20	0	0	20	9	3	4	0	16	1	24	0	0	25	1	0	1	0	2	63
% Light Truck	0	2	0	0	1.6	4.8	1.9	1.7	0	2.5	3.2	6.2	0	0	4.3	0.9	0	1.6	0	0.8	2.3
Heavy Truck	0	1	0	0	1	0	0	0	0	0	0	0	0	0	0	0	0	0	0	0	1
% Heavy Truck	0	0.1	0	0	0.1	0	0	0	0	0	0	0	0	0	0	0	0	0	0	0	0

TechniQuest Corporation

4105 US Route 1, Suite # 14
 Monmouth Junction, NJ 08852
 Phone: 732-274-9500 Fax: 732-274-9510

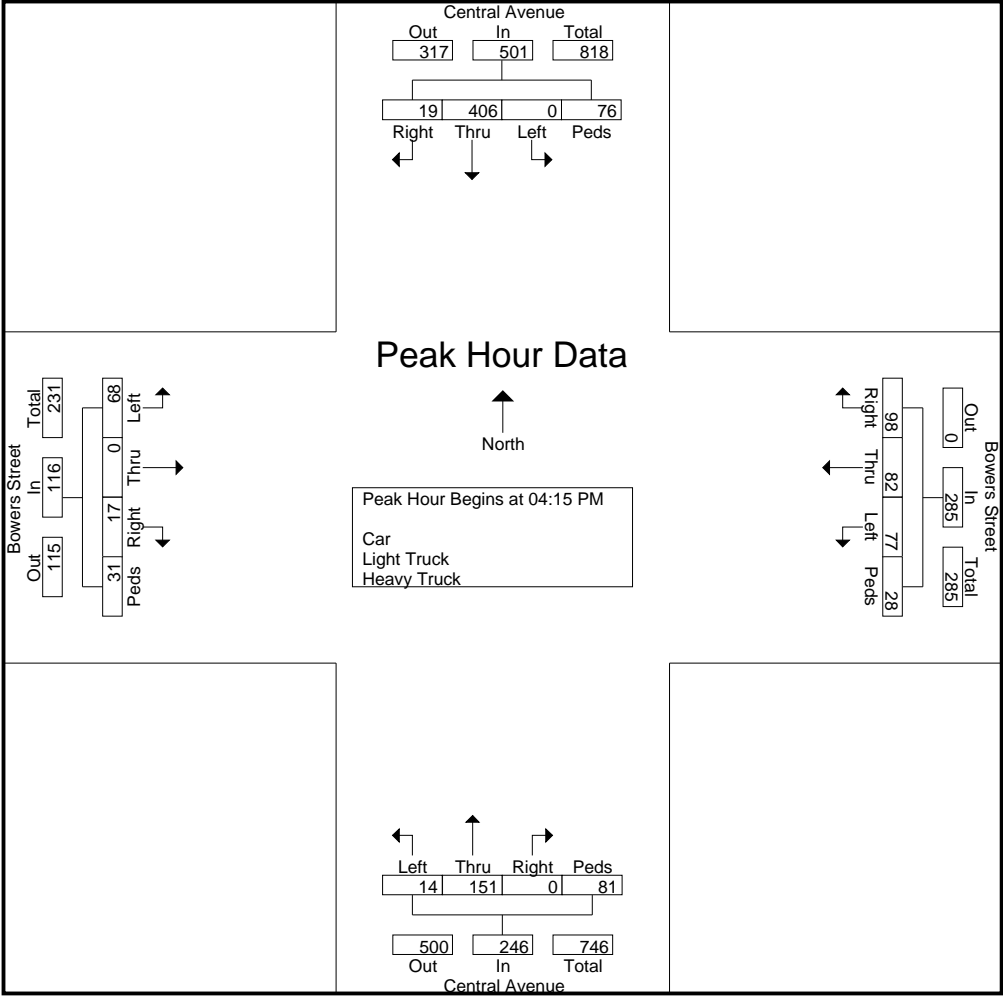
File Name : 06-03-PM
 Site Code : 3
 Start Date : 5/13/2008
 Page No : 2

Start Time	Central Avenue Southbound					Bowers Street Westbound					Central Avenue Northbound					Bowers Street Eastbound					Int. Total
	Left	Thru	Right	Peds	App. Total	Left	Thru	Right	Peds	App. Total	Left	Thru	Right	Peds	App. Total	Left	Thru	Right	Peds	App. Total	
Peak Hour Analysis From 04:00 PM to 06:15 PM - Peak 1 of 1																					
Peak Hour for Entire Intersection Begins at 04:15 PM																					
04:15 PM	0	111	4	11	126	20	18	19	5	62	5	40	0	15	60	21	0	4	6	31	279
04:30 PM	0	89	5	19	113	23	24	25	6	78	1	52	0	31	84	16	0	1	9	26	301
04:45 PM	0	78	8	16	102	18	21	25	7	71	2	31	0	18	51	19	0	4	13	36	260
05:00 PM	0	128	2	30	160	16	19	29	10	74	6	28	0	17	51	12	0	8	3	23	308
Total Volume	0	406	19	76	501	77	82	98	28	285	14	151	0	81	246	68	0	17	31	116	1148
% App. Total	0	81	3.8	15.2		27	28.8	34.4	9.8		5.7	61.4	0	32.9		58.6	0	14.7	26.7		
PHF	.000	.793	.594	.633	.783	.837	.854	.845	.700	.913	.583	.726	.000	.653	.732	.810	.000	.531	.596	.806	.932

TechniQuest Corporation

4105 US Route 1, Suite # 14
 Monmouth Junction, NJ 08852
 Phone: 732-274-9500 Fax: 732-274-9510

File Name : 06-03-PM
 Site Code : 3
 Start Date : 5/13/2008
 Page No : 3



TechniQuest Corporation

4105 US Route 1, Suite # 14
 Monmouth Junction, NJ 08852
 Phone: 732-274-9500 Fax: 732-274-9510

File Name : 06-04-AM
 Site Code : 4
 Start Date : 5/14/2008
 Page No : 1

Groups Printed- Car - Light Truck - Heavy Truck

Start Time	West Side Avenue Southbound					Danforth Avenue Westbound					West Side Avenue Northbound					Danforth Avenue Eastbound					Int. Total
	Left	Thru	Right	Peds	App. Total	Left	Thru	Right	Peds	App. Total	Left	Thru	Right	Peds	App. Total	Left	Thru	Right	Peds	App. Total	
06:30 AM	12	0	17	1	30	0	57	18	0	75	0	0	0	0	0	10	25	0	0	35	140
06:45 AM	17	0	19	0	36	0	46	24	0	70	0	0	0	0	0	12	36	0	1	49	155
Total	29	0	36	1	66	0	103	42	0	145	0	0	0	0	0	22	61	0	1	84	295
07:00 AM	23	0	20	1	44	0	45	23	1	69	0	0	0	0	0	15	38	0	0	53	166
07:15 AM	21	0	25	0	46	0	40	21	0	61	0	0	0	0	0	21	44	0	1	66	173
07:30 AM	50	0	22	0	72	0	35	19	0	54	0	0	0	0	0	13	33	0	0	46	172
07:45 AM	59	0	25	0	84	0	38	24	1	63	0	0	0	0	0	17	41	0	0	58	205
Total	153	0	92	1	246	0	158	87	2	247	0	0	0	0	0	66	156	0	1	223	716
08:00 AM	42	0	37	0	79	0	49	26	0	75	0	0	0	0	0	16	38	0	1	55	209
08:15 AM	56	0	24	0	80	0	59	31	0	90	0	0	0	0	0	18	49	0	0	67	237
08:30 AM	33	0	28	1	62	0	64	27	1	92	0	0	0	0	0	18	41	0	0	59	213
08:45 AM	28	0	32	0	60	0	52	31	0	83	0	0	0	0	0	19	52	0	0	71	214
Total	159	0	121	1	281	0	224	115	1	340	0	0	0	0	0	71	180	0	1	252	873
Grand Total	341	0	249	3	593	0	485	244	3	732	0	0	0	0	0	159	397	0	3	559	1884
Apprch %	57.5	0	42	0.5		0	66.3	33.3	0.4		0	0	0	0		28.4	71	0	0.5		
Total %	18.1	0	13.2	0.2	31.5	0	25.7	13	0.2	38.9	0	0	0	0	0	8.4	21.1	0	0.2	29.7	
Car	331	0	223	3	557	0	477	217	3	697	0	0	0	0	0	122	384	0	3	509	1763
% Car	97.1	0	89.6	100	93.9	0	98.4	88.9	100	95.2	0	0	0	0	0	76.7	96.7	0	100	91.1	93.6
Light Truck	7	0	21	0	28	0	2	22	0	24	0	0	0	0	0	36	6	0	0	42	94
% Light Truck	2.1	0	8.4	0	4.7	0	0.4	9	0	3.3	0	0	0	0	0	22.6	1.5	0	0	7.5	5
Heavy Truck	3	0	5	0	8	0	6	5	0	11	0	0	0	0	0	1	7	0	0	8	27
% Heavy Truck	0.9	0	2	0	1.3	0	1.2	2	0	1.5	0	0	0	0	0	0.6	1.8	0	0	1.4	1.4

TechniQuest Corporation

4105 US Route 1, Suite # 14
 Monmouth Junction, NJ 08852
 Phone: 732-274-9500 Fax: 732-274-9510

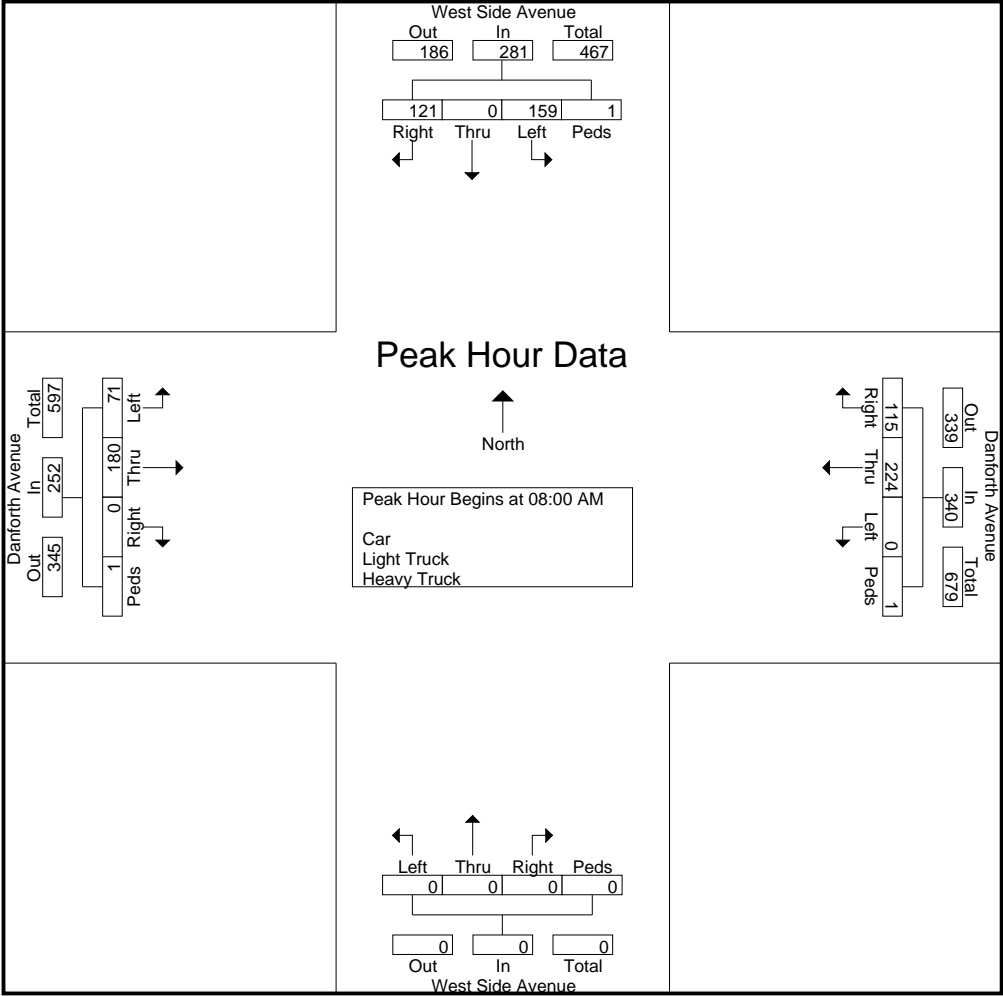
File Name : 06-04-AM
 Site Code : 4
 Start Date : 5/14/2008
 Page No : 2

Start Time	West Side Avenue Southbound					Danforth Avenue Westbound					West Side Avenue Northbound					Danforth Avenue Eastbound					Int. Total
	Left	Thru	Right	Peds	App. Total	Left	Thru	Right	Peds	App. Total	Left	Thru	Right	Peds	App. Total	Left	Thru	Right	Peds	App. Total	
Peak Hour Analysis From 06:30 AM to 08:45 AM - Peak 1 of 1																					
Peak Hour for Entire Intersection Begins at 08:00 AM																					
08:00 AM	42	0	37	0	79	0	49	26	0	75	0	0	0	0	0	16	38	0	1	55	209
08:15 AM	56	0	24	0	80	0	59	31	0	90	0	0	0	0	0	18	49	0	0	67	237
08:30 AM	33	0	28	1	62	0	64	27	1	92	0	0	0	0	0	18	41	0	0	59	213
08:45 AM	28	0	32	0	60	0	52	31	0	83	0	0	0	0	0	19	52	0	0	71	214
Total Volume	159	0	121	1	281	0	224	115	1	340	0	0	0	0	0	71	180	0	1	252	873
% App. Total	56.6	0	43.1	0.4		0	65.9	33.8	0.3		0	0	0	0		28.2	71.4	0	0.4		
PHF	.710	.000	.818	.250	.878	.000	.875	.927	.250	.924	.000	.000	.000	.000	.000	.934	.865	.000	.250	.887	.921

TechniQuest Corporation

4105 US Route 1, Suite # 14
 Monmouth Junction, NJ 08852
 Phone: 732-274-9500 Fax: 732-274-9510

File Name : 06-04-AM
 Site Code : 4
 Start Date : 5/14/2008
 Page No : 3



TechniQuest Corporation

4105 US Route 1, Suite # 14
 Monmouth Junction, NJ 08852
 Phone: 732-274-9500 Fax: 732-274-9510

File Name : 06-04-PM
 Site Code : 4
 Start Date : 5/14/2008
 Page No : 1

Groups Printed- Car - Light Truck - Heavy Truck

Start Time	West Side Avenue Southbound					Danforth Avenue Westbound					West Side Avenue Northbound					Danforth Avenue Eastbound					Int. Total
	Left	Thru	Right	Peds	App. Total	Left	Thru	Right	Peds	App. Total	Left	Thru	Right	Peds	App. Total	Left	Thru	Right	Peds	App. Total	
04:00 PM	76	0	44	0	120	0	44	23	0	67	0	0	0	0	0	24	74	0	1	99	286
04:15 PM	69	0	37	0	106	0	47	36	1	84	0	0	0	0	0	32	74	0	0	106	296
04:30 PM	81	0	28	1	110	0	64	17	0	81	0	0	0	0	0	39	79	0	1	119	310
04:45 PM	92	0	29	0	121	0	57	29	0	86	0	0	0	0	0	36	64	0	0	100	307
Total	318	0	138	1	457	0	212	105	1	318	0	0	0	0	0	131	291	0	2	424	1199
05:00 PM	76	0	33	0	109	0	40	25	2	67	0	0	0	0	0	32	47	0	0	79	255
05:15 PM	94	0	40	1	135	0	36	23	0	59	0	0	0	0	0	25	70	0	2	97	291
05:30 PM	76	0	44	0	120	0	71	33	0	104	0	0	0	0	0	33	64	0	0	97	321
05:45 PM	98	0	40	2	140	0	77	28	1	106	0	0	0	0	0	36	78	0	0	114	360
Total	344	0	157	3	504	0	224	109	3	336	0	0	0	0	0	126	259	0	2	387	1227
06:00 PM	79	0	37	0	116	0	87	27	0	114	0	0	0	0	0	56	87	0	0	143	373
06:15 PM	84	0	43	1	128	0	86	31	1	118	0	0	0	0	0	41	85	0	2	128	374
Grand Total	825	0	375	5	1205	0	609	272	5	886	0	0	0	0	0	354	722	0	6	1082	3173
Apprch %	68.5	0	31.1	0.4		0	68.7	30.7	0.6		0	0	0	0		32.7	66.7	0	0.6		
Total %	26	0	11.8	0.2	38	0	19.2	8.6	0.2	27.9	0	0	0	0	0	11.2	22.8	0	0.2	34.1	
Car	807	0	357	5	1169	0	601	265	5	871	0	0	0	0	0	328	715	0	6	1049	3089
% Car	97.8	0	95.2	100	97	0	98.7	97.4	100	98.3	0	0	0	0	0	92.7	99	0	100	97	97.4
Light Truck	16	0	18	0	34	0	5	6	0	11	0	0	0	0	0	26	2	0	0	28	73
% Light Truck	1.9	0	4.8	0	2.8	0	0.8	2.2	0	1.2	0	0	0	0	0	7.3	0.3	0	0	2.6	2.3
Heavy Truck	2	0	0	0	2	0	3	1	0	4	0	0	0	0	0	0	5	0	0	5	11
% Heavy Truck	0.2	0	0	0	0.2	0	0.5	0.4	0	0.5	0	0	0	0	0	0	0.7	0	0	0.5	0.3

TechniQuest Corporation

4105 US Route 1, Suite # 14
 Monmouth Junction, NJ 08852
 Phone: 732-274-9500 Fax: 732-274-9510

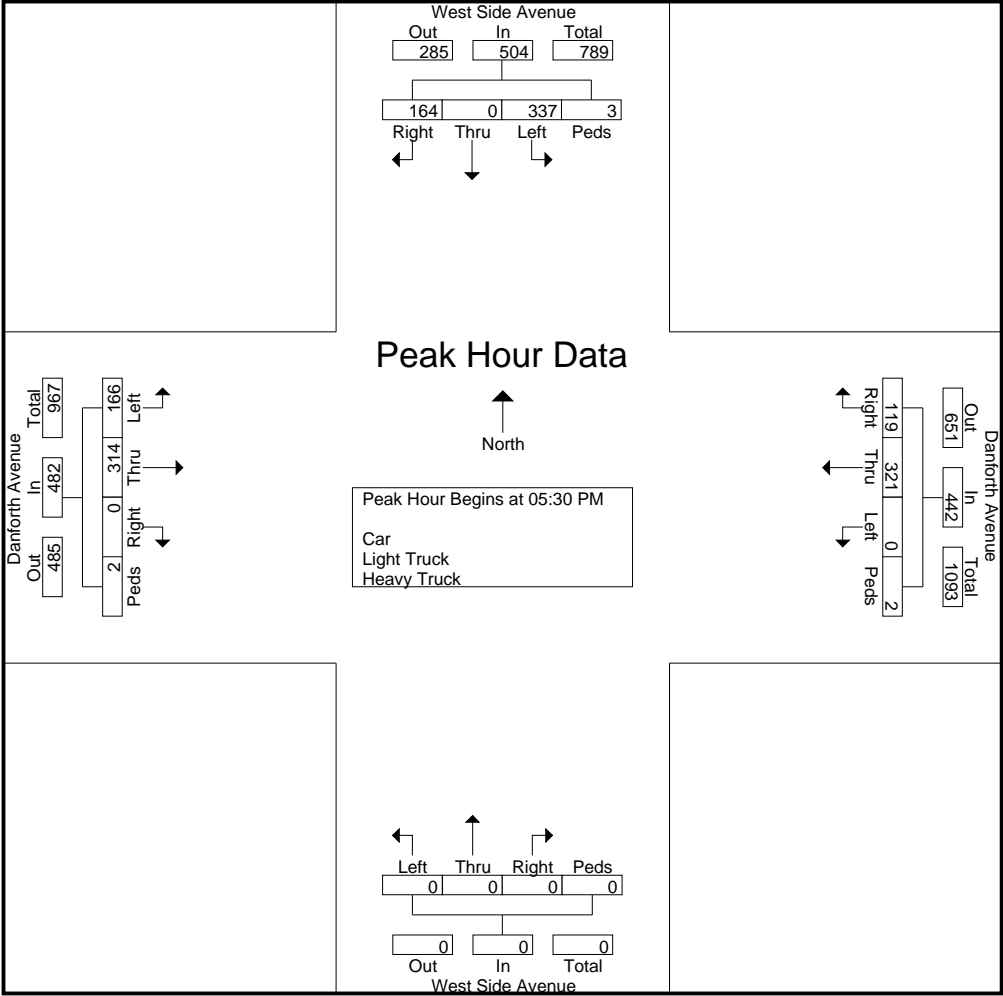
File Name : 06-04-PM
 Site Code : 4
 Start Date : 5/14/2008
 Page No : 2

Start Time	West Side Avenue Southbound					Danforth Avenue Westbound					West Side Avenue Northbound					Danforth Avenue Eastbound					Int. Total
	Left	Thru	Right	Peds	App. Total	Left	Thru	Right	Peds	App. Total	Left	Thru	Right	Peds	App. Total	Left	Thru	Right	Peds	App. Total	
Peak Hour Analysis From 04:00 PM to 06:15 PM - Peak 1 of 1																					
Peak Hour for Entire Intersection Begins at 05:30 PM																					
05:30 PM	76	0	44	0	120	0	71	33	0	104	0	0	0	0	0	33	64	0	0	97	321
05:45 PM	98	0	40	2	140	0	77	28	1	106	0	0	0	0	0	36	78	0	0	114	360
06:00 PM	79	0	37	0	116	0	87	27	0	114	0	0	0	0	0	56	87	0	0	143	373
06:15 PM	84	0	43	1	128	0	86	31	1	118	0	0	0	0	0	41	85	0	2	128	374
Total Volume	337	0	164	3	504	0	321	119	2	442	0	0	0	0	0	166	314	0	2	482	1428
% App. Total	66.9	0	32.5	0.6		0	72.6	26.9	0.5		0	0	0	0		34.4	65.1	0	0.4		
PHF	.860	.000	.932	.375	.900	.000	.922	.902	.500	.936	.000	.000	.000	.000	.000	.741	.902	.000	.250	.843	.955

TechniQuest Corporation

4105 US Route 1, Suite # 14
 Monmouth Junction, NJ 08852
 Phone: 732-274-9500 Fax: 732-274-9510

File Name : 06-04-PM
 Site Code : 4
 Start Date : 5/14/2008
 Page No : 3



TechniQuest Corporation

4105 US Route 1, Suite # 14
 Monmouth Junction, NJ 08852
 Phone: 732-274-9500 Fax: 732-274-9510

File Name : 06-05-AM
 Site Code : 5
 Start Date : 5/14/2008
 Page No : 1

Groups Printed- Car - Light Truck - Heavy Truck

Start Time	Ocean Avenue Southbound					Danforth Avenue Westbound					Ocean Avenue Northbound					Danforth Avenue Eastbound					Int. Total
	Left	Thru	Right	Peds	App. Total	Left	Thru	Right	Peds	App. Total	Left	Thru	Right	Peds	App. Total	Left	Thru	Right	Peds	App. Total	
06:30 AM	2	11	25	9	47	4	18	5	9	36	27	35	4	6	72	11	19	10	7	47	202
06:45 AM	3	15	26	8	52	3	14	5	9	31	25	41	8	6	80	13	23	14	6	56	219
Total	5	26	51	17	99	7	32	10	18	67	52	76	12	12	152	24	42	24	13	103	421
07:00 AM	4	19	19	9	51	5	24	8	16	53	22	47	5	7	81	14	29	4	9	56	241
07:15 AM	4	27	12	10	53	1	29	7	14	51	12	58	10	10	90	13	39	5	6	63	257
07:30 AM	4	31	18	6	59	2	40	7	22	71	3	59	8	2	72	25	36	7	21	89	291
07:45 AM	3	48	22	14	87	5	30	8	13	56	9	61	5	3	78	33	44	16	24	117	338
Total	15	125	71	39	250	13	123	30	65	231	46	225	28	22	321	85	148	32	60	325	1127
08:00 AM	1	32	30	35	98	6	25	6	16	53	16	51	7	21	95	18	33	22	10	83	329
08:15 AM	1	41	32	10	84	6	34	8	12	60	16	45	5	9	75	19	57	22	17	115	334
08:30 AM	2	43	36	8	89	4	28	5	9	46	16	47	8	5	76	23	35	15	12	85	296
08:45 AM	4	40	31	10	85	4	22	8	10	44	24	45	1	9	79	23	28	26	14	91	299
Total	8	156	129	63	356	20	109	27	47	203	72	188	21	44	325	83	153	85	53	374	1258
Grand Total	28	307	251	119	705	40	264	67	130	501	170	489	61	78	798	192	343	141	126	802	2806
Apprch %	4	43.5	35.6	16.9		8	52.7	13.4	25.9		21.3	61.3	7.6	9.8		23.9	42.8	17.6	15.7		
Total %	1	10.9	8.9	4.2	25.1	1.4	9.4	2.4	4.6	17.9	6.1	17.4	2.2	2.8	28.4	6.8	12.2	5	4.5	28.6	
Car	28	272	246	119	665	35	253	60	130	478	165	442	60	78	745	188	334	140	126	788	2676
% Car	100	88.6	98	100	94.3	87.5	95.8	89.6	100	95.4	97.1	90.4	98.4	100	93.4	97.9	97.4	99.3	100	98.3	95.4
Light Truck	0	32	3	0	35	3	9	6	0	18	4	42	1	0	47	3	9	1	0	13	113
% Light Truck	0	10.4	1.2	0	5	7.5	3.4	9	0	3.6	2.4	8.6	1.6	0	5.9	1.6	2.6	0.7	0	1.6	4
Heavy Truck	0	3	2	0	5	2	2	1	0	5	1	5	0	0	6	1	0	0	0	1	17
% Heavy Truck	0	1	0.8	0	0.7	5	0.8	1.5	0	1	0.6	1	0	0	0.8	0.5	0	0	0	0.1	0.6

TechniQuest Corporation

4105 US Route 1, Suite # 14
 Monmouth Junction, NJ 08852
 Phone: 732-274-9500 Fax: 732-274-9510

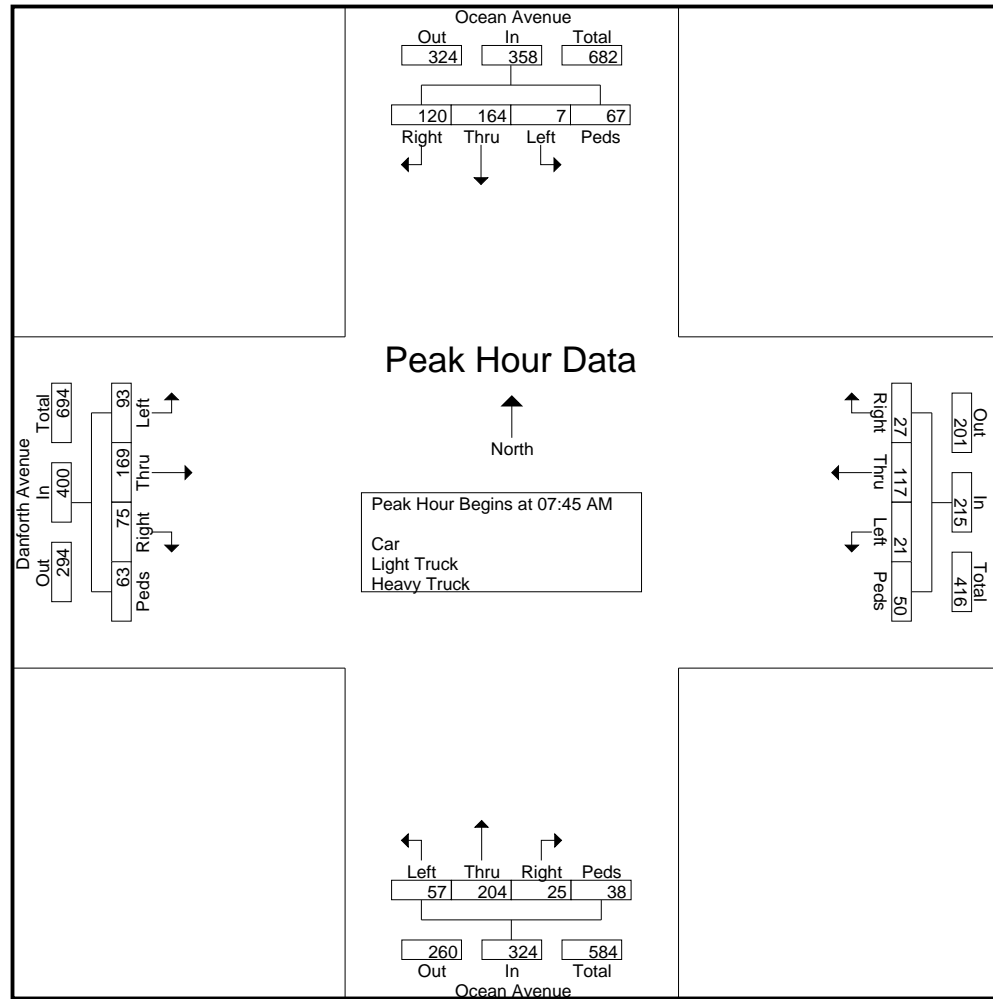
File Name : 06-05-AM
 Site Code : 5
 Start Date : 5/14/2008
 Page No : 2

Start Time	Ocean Avenue Southbound					Danforth Avenue Westbound					Ocean Avenue Northbound					Danforth Avenue Eastbound					Int. Total
	Left	Thru	Right	Peds	App. Total	Left	Thru	Right	Peds	App. Total	Left	Thru	Right	Peds	App. Total	Left	Thru	Right	Peds	App. Total	
Peak Hour Analysis From 06:30 AM to 08:30 AM - Peak 1 of 1																					
Peak Hour for Entire Intersection Begins at 07:45 AM																					
07:45 AM	3	48	22	14	87	5	30	8	13	56	9	61	5	3	78	33	44	16	24	117	338
08:00 AM	1	32	30	35	98	6	25	6	16	53	16	51	7	21	95	18	33	22	10	83	329
08:15 AM	1	41	32	10	84	6	34	8	12	60	16	45	5	9	75	19	57	22	17	115	334
08:30 AM	2	43	36	8	89	4	28	5	9	46	16	47	8	5	76	23	35	15	12	85	296
Total Volume	7	164	120	67	358	21	117	27	50	215	57	204	25	38	324	93	169	75	63	400	1297
% App. Total	2	45.8	33.5	18.7		9.8	54.4	12.6	23.3		17.6	63	7.7	11.7		23.2	42.2	18.8	15.8		
PHF	.583	.854	.833	.479	.913	.875	.860	.844	.781	.896	.891	.836	.781	.452	.853	.705	.741	.852	.656	.855	.959

TechniQuest Corporation

4105 US Route 1, Suite # 14
 Monmouth Junction, NJ 08852
 Phone: 732-274-9500 Fax: 732-274-9510

File Name : 06-05-AM
 Site Code : 5
 Start Date : 5/14/2008
 Page No : 3



TechniQuest Corporation

4105 US Route 1, Suite # 14
 Monmouth Junction, NJ 08852
 Phone: 732-274-9500 Fax: 732-274-9510

File Name : 06-05-PM
 Site Code : 5
 Start Date : 5/14/2008
 Page No : 1

Groups Printed- Car - Light Truck - Heavy Truck

Start Time	Ocean Avenue Southbound					Danforth Avenue Westbound					Ocean Avenue Northbound					Danforth Avenue Eastbound					Int. Total
	Left	Thru	Right	Peds	App. Total	Left	Thru	Right	Peds	App. Total	Left	Thru	Right	Peds	App. Total	Left	Thru	Right	Peds	App. Total	
04:00 PM	6	58	16	14	94	3	39	6	9	57	6	54	10	7	77	33	79	30	3	145	373
04:15 PM	7	57	23	16	103	4	42	8	9	63	14	63	11	8	96	30	84	24	5	143	405
04:30 PM	3	49	22	11	85	7	42	4	10	63	12	55	5	6	78	31	92	28	5	156	382
04:45 PM	4	61	23	19	107	5	39	2	19	65	18	68	5	4	95	32	93	23	2	150	417
Total	20	225	84	60	389	19	162	20	47	248	50	240	31	25	346	126	348	105	15	594	1577
05:00 PM	9	60	15	14	98	7	47	6	22	82	11	63	1	12	87	28	70	21	4	123	390
05:15 PM	9	70	11	12	102	8	50	2	4	64	4	60	3	6	73	30	100	25	3	158	397
05:30 PM	5	61	20	10	96	10	49	6	11	76	26	51	2	2	81	32	70	29	8	139	392
05:45 PM	3	61	34	9	107	5	39	5	7	56	30	60	3	2	95	30	111	27	4	172	430
Total	26	252	80	45	403	30	185	19	44	278	71	234	9	22	336	120	351	102	19	592	1609
06:00 PM	4	60	36	12	112	8	47	4	17	76	22	62	6	3	93	33	90	35	8	166	447
06:15 PM	8	72	30	8	118	7	53	5	6	71	29	56	10	16	111	30	99	29	5	163	463
Grand Total	58	609	230	125	1022	64	447	48	114	673	172	592	56	66	886	309	888	271	47	1515	4096
Apprch %	5.7	59.6	22.5	12.2		9.5	66.4	7.1	16.9		19.4	66.8	6.3	7.4		20.4	58.6	17.9	3.1		
Total %	1.4	14.9	5.6	3.1	25	1.6	10.9	1.2	2.8	16.4	4.2	14.5	1.4	1.6	21.6	7.5	21.7	6.6	1.1	37	
Car	58	575	225	125	983	63	438	48	114	663	169	563	55	66	853	305	884	271	47	1507	4006
% Car	100	94.4	97.8	100	96.2	98.4	98	100	100	98.5	98.3	95.1	98.2	100	96.3	98.7	99.5	100	100	99.5	97.8
Light Truck	0	31	5	0	36	1	7	0	0	8	2	29	1	0	32	3	2	0	0	5	81
% Light Truck	0	5.1	2.2	0	3.5	1.6	1.6	0	0	1.2	1.2	4.9	1.8	0	3.6	1	0.2	0	0	0.3	2
Heavy Truck	0	3	0	0	3	0	2	0	0	2	1	0	0	0	1	1	2	0	0	3	9
% Heavy Truck	0	0.5	0	0	0.3	0	0.4	0	0	0.3	0.6	0	0	0	0.1	0.3	0.2	0	0	0.2	0.2

TechniQuest Corporation

4105 US Route 1, Suite # 14
 Monmouth Junction, NJ 08852
 Phone: 732-274-9500 Fax: 732-274-9510

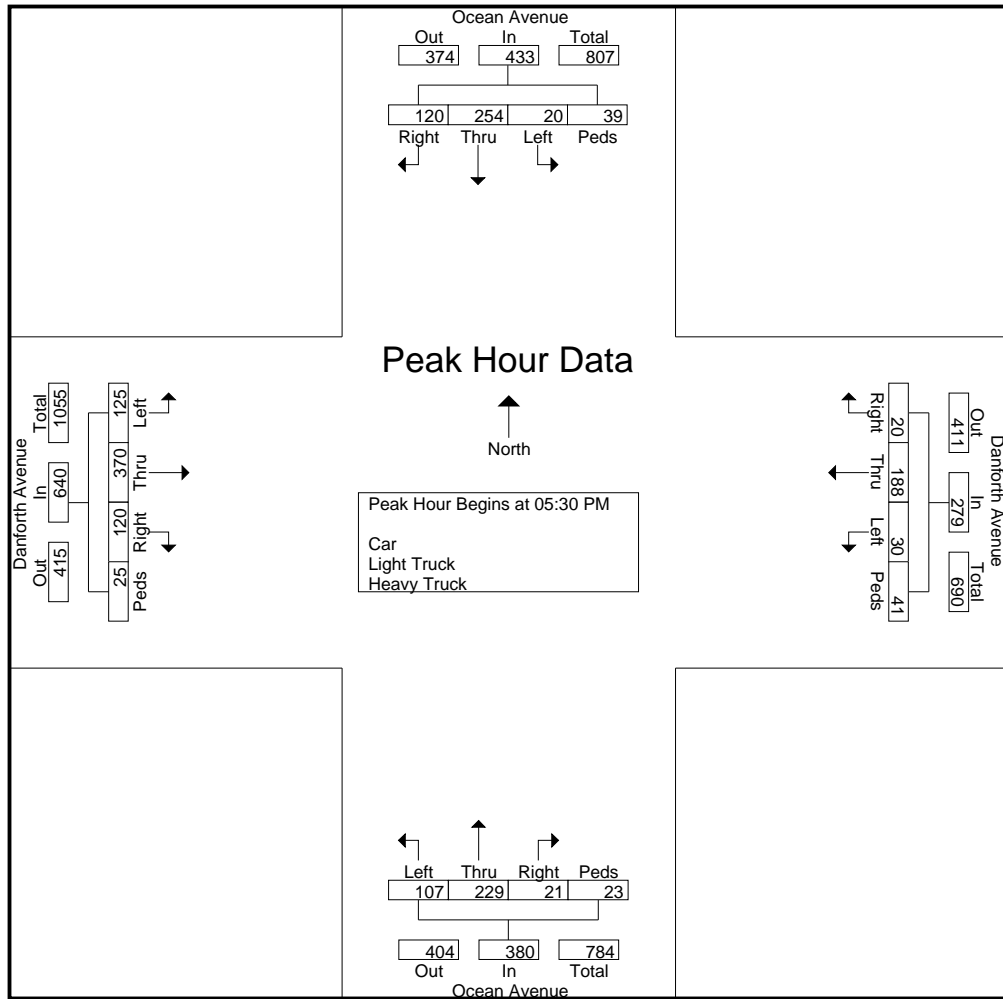
File Name : 06-05-PM
 Site Code : 5
 Start Date : 5/14/2008
 Page No : 2

Start Time	Ocean Avenue Southbound					Danforth Avenue Westbound					Ocean Avenue Northbound					Danforth Avenue Eastbound					Int. Total
	Left	Thru	Right	Peds	App. Total	Left	Thru	Right	Peds	App. Total	Left	Thru	Right	Peds	App. Total	Left	Thru	Right	Peds	App. Total	
Peak Hour Analysis From 04:00 PM to 06:15 PM - Peak 1 of 1																					
Peak Hour for Entire Intersection Begins at 05:30 PM																					
05:30 PM	5	61	20	10	96	10	49	6	11	76	26	51	2	2	81	32	70	29	8	139	392
05:45 PM	3	61	34	9	107	5	39	5	7	56	30	60	3	2	95	30	111	27	4	172	430
06:00 PM	4	60	36	12	112	8	47	4	17	76	22	62	6	3	93	33	90	35	8	166	447
06:15 PM	8	72	30	8	118	7	53	5	6	71	29	56	10	16	111	30	99	29	5	163	463
Total Volume	20	254	120	39	433	30	188	20	41	279	107	229	21	23	380	125	370	120	25	640	1732
% App. Total	4.6	58.7	27.7	9		10.8	67.4	7.2	14.7		28.2	60.3	5.5	6.1		19.5	57.8	18.8	3.9		
PHF	.625	.882	.833	.813	.917	.750	.887	.833	.603	.918	.892	.923	.525	.359	.856	.947	.833	.857	.781	.930	.935

TechniQuest Corporation

4105 US Route 1, Suite # 14
 Monmouth Junction, NJ 08852
 Phone: 732-274-9500 Fax: 732-274-9510

File Name : 06-05-PM
 Site Code : 5
 Start Date : 5/14/2008
 Page No : 3



TechniQuest Corporation
 4105 US Route 1, Suite # 14
 Monmouth Junction, NJ 08852
 Phone: 732-274-9500 Fax: 732-274-9510

File Name : 06-06-AM
 Site Code : 6
 Start Date : 5/14/2008
 Page No : 1

Groups Printed- Car - Light Truck - Heavy Truck

Start Time	West Side Avenue Southbound					Communipaw Avenue Westbound					West Side Avenue Northbound					Communipaw Avenue Eastbound					Int. Total
	Left	Thru	Right	Peds	App. Total	Left	Thru	Right	Peds	App. Total	Left	Thru	Right	Peds	App. Total	Left	Thru	Right	Peds	App. Total	
06:30 AM	7	27	19	0	53	5	53	9	0	67	19	46	4	0	69	26	43	8	0	77	266
06:45 AM	8	32	22	0	62	6	46	8	1	61	21	49	5	0	75	30	36	7	0	73	271
Total	15	59	41	0	115	11	99	17	1	128	40	95	9	0	144	56	79	15	0	150	537
07:00 AM	5	37	26	0	68	6	80	5	1	92	25	54	6	0	85	32	71	7	1	111	356
07:15 AM	12	26	37	0	75	2	66	14	0	82	16	55	4	0	75	35	81	8	0	124	356
07:30 AM	1	27	30	0	58	6	84	5	0	95	34	56	14	0	104	50	82	12	0	144	401
07:45 AM	3	28	30	0	61	10	98	13	0	121	26	64	4	0	94	49	144	8	0	201	477
Total	21	118	123	0	262	24	328	37	1	390	101	229	28	0	358	166	378	35	1	580	1590
08:00 AM	1	44	30	0	75	3	112	6	0	121	22	50	7	0	79	44	131	4	0	179	454
08:15 AM	7	34	28	0	69	4	74	4	0	82	21	53	7	0	81	32	145	13	0	190	422
08:30 AM	7	41	29	1	78	2	79	4	1	86	18	50	7	0	75	29	110	22	3	164	403
08:45 AM	6	33	20	1	60	3	85	6	0	94	30	39	6	0	75	31	93	7	0	131	360
Total	21	152	107	2	282	12	350	20	1	383	91	192	27	0	310	136	479	46	3	664	1639
Grand Total	57	329	271	2	659	47	777	74	3	901	232	516	64	0	812	358	936	96	4	1394	3766
Apprch %	8.6	49.9	41.1	0.3		5.2	86.2	8.2	0.3		28.6	63.5	7.9	0		25.7	67.1	6.9	0.3		
Total %	1.5	8.7	7.2	0.1	17.5	1.2	20.6	2	0.1	23.9	6.2	13.7	1.7	0	21.6	9.5	24.9	2.5	0.1	37	
Car	57	329	271	2	659	47	777	74	3	901	232	516	64	0	812	358	936	96	4	1394	3766
% Car	100	100	100	100	100	100	100	100	100	100	100	100	100	0	100	100	100	100	100	100	100
Light Truck	0	0	0	0	0	0	0	0	0	0	0	0	0	0	0	0	0	0	0	0	0
% Light Truck	0	0	0	0	0	0	0	0	0	0	0	0	0	0	0	0	0	0	0	0	0
Heavy Truck	0	0	0	0	0	0	0	0	0	0	0	0	0	0	0	0	0	0	0	0	0
% Heavy Truck	0	0	0	0	0	0	0	0	0	0	0	0	0	0	0	0	0	0	0	0	0

TechniQuest Corporation

4105 US Route 1, Suite # 14
 Monmouth Junction, NJ 08852
 Phone: 732-274-9500 Fax: 732-274-9510

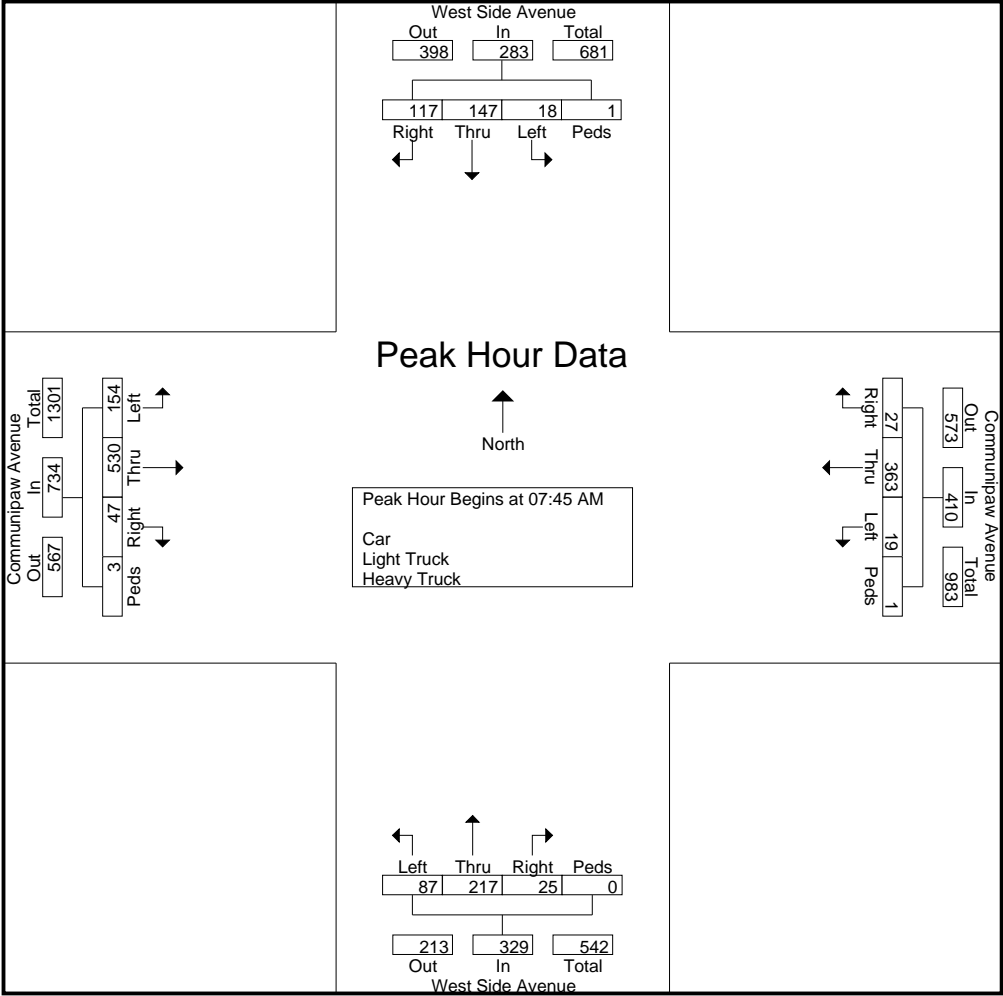
File Name : 06-06-AM
 Site Code : 6
 Start Date : 5/14/2008
 Page No : 2

Start Time	West Side Avenue Southbound					Communipaw Avenue Westbound					West Side Avenue Northbound					Communipaw Avenue Eastbound					Int. Total
	Left	Thru	Right	Peds	App. Total	Left	Thru	Right	Peds	App. Total	Left	Thru	Right	Peds	App. Total	Left	Thru	Right	Peds	App. Total	
Peak Hour Analysis From 06:30 AM to 08:45 AM - Peak 1 of 1																					
Peak Hour for Entire Intersection Begins at 07:45 AM																					
07:45 AM	3	28	30	0	61	10	98	13	0	121	26	64	4	0	94	49	144	8	0	201	477
08:00 AM	1	44	30	0	75	3	112	6	0	121	22	50	7	0	79	44	131	4	0	179	454
08:15 AM	7	34	28	0	69	4	74	4	0	82	21	53	7	0	81	32	145	13	0	190	422
08:30 AM	7	41	29	1	78	2	79	4	1	86	18	50	7	0	75	29	110	22	3	164	403
Total Volume	18	147	117	1	283	19	363	27	1	410	87	217	25	0	329	154	530	47	3	734	1756
% App. Total	6.4	51.9	41.3	0.4		4.6	88.5	6.6	0.2		26.4	66	7.6	0		21	72.2	6.4	0.4		
PHF	.643	.835	.975	.250	.907	.475	.810	.519	.250	.847	.837	.848	.893	.000	.875	.786	.914	.534	.250	.913	.920

TechniQuest Corporation

4105 US Route 1, Suite # 14
 Monmouth Junction, NJ 08852
 Phone: 732-274-9500 Fax: 732-274-9510

File Name : 06-06-AM
 Site Code : 6
 Start Date : 5/14/2008
 Page No : 3



TechniQuest Corporation

4105 US Route 1, Suite # 14
 Monmouth Junction, NJ 08852
 Phone: 732-274-9500 Fax: 732-274-9510

File Name : 06-06-PM
 Site Code : 6
 Start Date : 5/14/2008
 Page No : 1

Groups Printed- Car - Light Truck - Heavy Truck

Start Time	West Side Avenue Southbound					Communipaw Avenue Westbound					West Side Avenue Northbound					Communipaw Avenue Eastbound					Int. Total
	Left	Thru	Right	Peds	App. Total	Left	Thru	Right	Peds	App. Total	Left	Thru	Right	Peds	App. Total	Left	Thru	Right	Peds	App. Total	
04:00 PM	8	45	23	10	86	9	174	6	9	198	11	21	11	8	51	32	77	23	5	137	472
04:15 PM	7	49	21	12	89	9	186	4	10	209	12	24	14	7	57	38	94	24	4	160	515
04:30 PM	8	58	41	14	121	9	169	8	2	188	31	59	16	4	110	30	125	22	8	185	604
04:45 PM	11	72	43	17	143	4	170	12	5	191	27	52	10	15	104	56	113	24	12	205	643
Total	34	224	128	53	439	31	699	30	26	786	81	156	51	34	322	156	409	93	29	687	2234
05:00 PM	9	72	62	28	171	10	148	8	17	183	45	46	9	28	128	45	111	24	12	192	674
05:15 PM	7	77	44	31	159	10	161	8	14	193	23	68	9	33	133	61	108	32	22	223	708
05:30 PM	8	76	57	26	167	5	158	9	10	182	28	59	10	15	112	65	93	25	21	204	665
05:45 PM	7	69	60	24	160	4	180	10	8	202	23	55	13	28	119	37	98	13	18	166	647
Total	31	294	223	109	657	29	647	35	49	760	119	228	41	104	492	208	410	94	73	785	2694
06:00 PM	8	60	58	21	147	5	152	7	9	173	19	52	12	21	104	35	109	17	15	176	600
06:15 PM	7	52	51	16	126	4	140	6	7	157	16	45	11	15	87	32	118	14	13	177	547
Grand Total	80	630	460	199	1369	69	1638	78	91	1876	235	481	115	174	1005	431	1046	218	130	1825	6075
Apprch %	5.8	46	33.6	14.5		3.7	87.3	4.2	4.9		23.4	47.9	11.4	17.3		23.6	57.3	11.9	7.1		
Total %	1.3	10.4	7.6	3.3	22.5	1.1	27	1.3	1.5	30.9	3.9	7.9	1.9	2.9	16.5	7.1	17.2	3.6	2.1	30	
Car	80	581	445	199	1305	67	1598	77	91	1833	229	443	114	174	960	419	996	212	130	1757	5855
% Car	100	92.2	96.7	100	95.3	97.1	97.6	98.7	100	97.7	97.4	92.1	99.1	100	95.5	97.2	95.2	97.2	100	96.3	96.4
Light Truck	0	47	14	0	61	2	20	0	0	22	5	38	1	0	44	12	29	6	0	47	174
% Light Truck	0	7.5	3	0	4.5	2.9	1.2	0	0	1.2	2.1	7.9	0.9	0	4.4	2.8	2.8	2.8	0	2.6	2.9
Heavy Truck	0	2	1	0	3	0	20	1	0	21	1	0	0	0	1	0	21	0	0	21	46
% Heavy Truck	0	0.3	0.2	0	0.2	0	1.2	1.3	0	1.1	0.4	0	0	0	0.1	0	2	0	0	1.2	0.8

TechniQuest Corporation

4105 US Route 1, Suite # 14
 Monmouth Junction, NJ 08852
 Phone: 732-274-9500 Fax: 732-274-9510

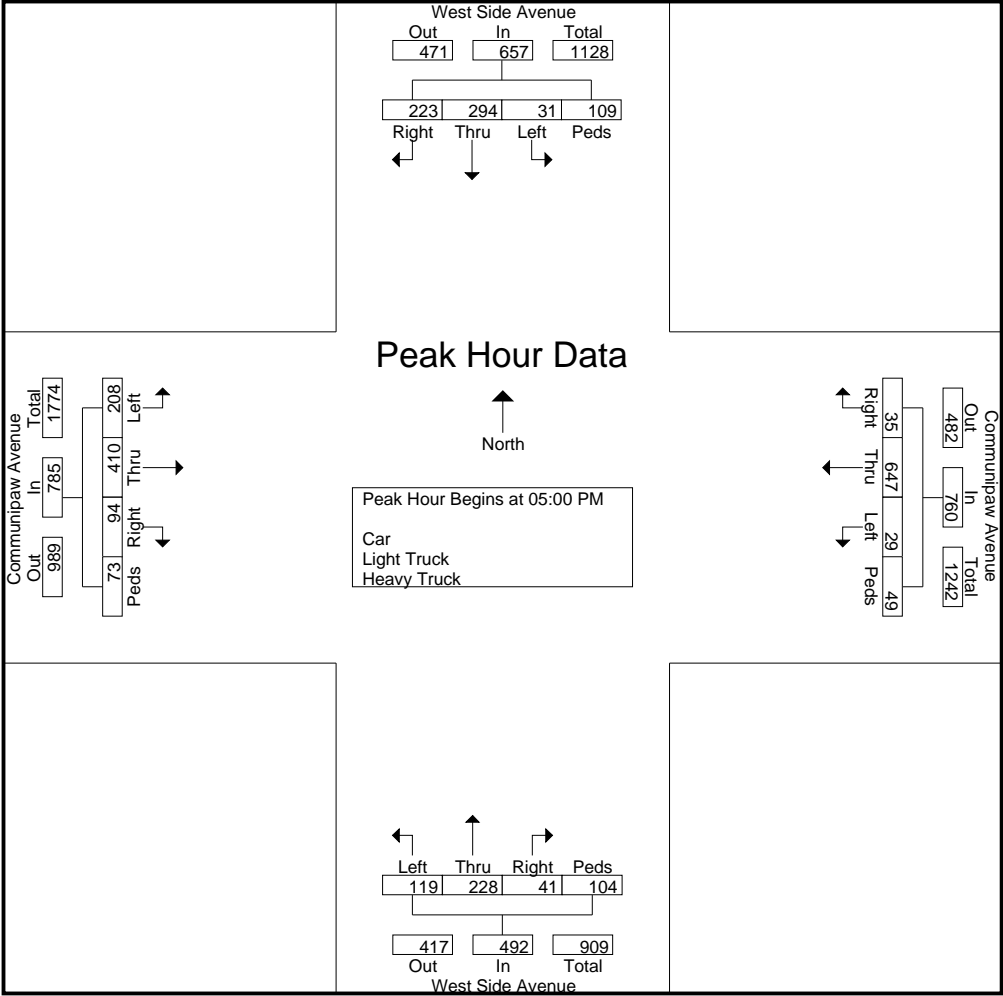
File Name : 06-06-PM
 Site Code : 6
 Start Date : 5/14/2008
 Page No : 2

Start Time	West Side Avenue Southbound					Communipaw Avenue Westbound					West Side Avenue Northbound					Communipaw Avenue Eastbound					Int. Total
	Left	Thru	Right	Peds	App. Total	Left	Thru	Right	Peds	App. Total	Left	Thru	Right	Peds	App. Total	Left	Thru	Right	Peds	App. Total	
Peak Hour Analysis From 04:00 PM to 05:45 PM - Peak 1 of 1																					
Peak Hour for Entire Intersection Begins at 05:00 PM																					
05:00 PM	9	72	62	28	171	10	148	8	17	183	45	46	9	28	128	45	111	24	12	192	674
05:15 PM	7	77	44	31	159	10	161	8	14	193	23	68	9	33	133	61	108	32	22	223	708
05:30 PM	8	76	57	26	167	5	158	9	10	182	28	59	10	15	112	65	93	25	21	204	665
05:45 PM	7	69	60	24	160	4	180	10	8	202	23	55	13	28	119	37	98	13	18	166	647
Total Volume	31	294	223	109	657	29	647	35	49	760	119	228	41	104	492	208	410	94	73	785	2694
% App. Total	4.7	44.7	33.9	16.6		3.8	85.1	4.6	6.4		24.2	46.3	8.3	21.1		26.5	52.2	12	9.3		
PHF	.861	.955	.899	.879	.961	.725	.899	.875	.721	.941	.661	.838	.788	.788	.925	.800	.923	.734	.830	.880	.951

TechniQuest Corporation

4105 US Route 1, Suite # 14
 Monmouth Junction, NJ 08852
 Phone: 732-274-9500 Fax: 732-274-9510

File Name : 06-06-PM
 Site Code : 6
 Start Date : 5/14/2008
 Page No : 3



TechniQuest Corporation

4105 US Route 1, Suite # 14
 Monmouth Junction, NJ 08852
 Phone: 732-274-9500 Fax: 732-274-9510

File Name : 06-07-AM
 Site Code : 7
 Start Date : 5/15/2008
 Page No : 1

Groups Printed- Car - Light Truck - Heavy Truck

Start Time	JFK Blvd Southbound					Communipaw Avenue Westbound					JFK Blvd Northbound					Communipaw Avenue Eastbound					Int. Total
	Left	Thru	Right	Peds	App. Total	Left	Thru	Right	Peds	App. Total	Left	Thru	Right	Peds	App. Total	Left	Thru	Right	Peds	App. Total	
06:30 AM	13	196	23	1	233	19	38	4	0	61	5	45	11	1	62	9	40	5	0	54	410
06:45 AM	11	217	13	0	241	25	40	3	0	68	6	56	13	3	78	3	42	3	0	48	435
Total	24	413	36	1	474	44	78	7	0	129	11	101	24	4	140	12	82	8	0	102	845
07:00 AM	7	229	14	0	250	15	72	3	0	90	4	88	15	0	107	6	72	4	0	82	529
07:15 AM	5	157	10	0	172	14	68	3	0	85	5	136	16	1	158	7	86	3	0	96	511
07:30 AM	8	149	21	0	178	11	65	6	0	82	9	337	45	0	391	17	79	1	0	97	748
07:45 AM	4	212	16	2	234	13	100	5	6	124	6	331	27	2	366	11	133	6	0	150	874
Total	24	747	61	2	834	53	305	17	6	381	24	892	103	3	1022	41	370	14	0	425	2662
08:00 AM	5	176	15	0	196	15	105	8	1	129	3	331	31	0	365	12	123	3	0	138	828
08:15 AM	3	149	12	0	164	5	68	7	0	80	3	281	21	1	306	9	148	2	0	159	709
08:30 AM	3	136	10	0	149	11	78	10	0	99	6	248	40	0	294	12	110	1	0	123	665
08:45 AM	7	87	10	0	104	13	74	6	0	93	4	210	22	3	239	18	85	1	0	104	540
Total	18	548	47	0	613	44	325	31	1	401	16	1070	114	4	1204	51	466	7	0	524	2742
Grand Total	66	1708	144	3	1921	141	708	55	7	911	51	2063	241	11	2366	104	918	29	0	1051	6249
Apprch %	3.4	88.9	7.5	0.2		15.5	77.7	6	0.8		2.2	87.2	10.2	0.5		9.9	87.3	2.8	0		
Total %	1.1	27.3	2.3	0	30.7	2.3	11.3	0.9	0.1	14.6	0.8	33	3.9	0.2	37.9	1.7	14.7	0.5	0	16.8	
Car	65	1667	141	1	1874	137	618	51	7	813	44	1973	226	11	2254	100	835	28	0	963	5904
% Car	98.5	97.6	97.9	33.3	97.6	97.2	87.3	92.7	100	89.2	86.3	95.6	93.8	100	95.3	96.2	91	96.6	0	91.6	94.5
Light Truck	1	40	3	1	45	3	51	4	0	58	4	88	12	0	104	4	48	1	0	53	260
% Light Truck	1.5	2.3	2.1	33.3	2.3	2.1	7.2	7.3	0	6.4	7.8	4.3	5	0	4.4	3.8	5.2	3.4	0	5	4.2
Heavy Truck	0	1	0	1	2	1	39	0	0	40	3	2	3	0	8	0	35	0	0	35	85
% Heavy Truck	0	0.1	0	33.3	0.1	0.7	5.5	0	0	4.4	5.9	0.1	1.2	0	0.3	0	3.8	0	0	3.3	1.4

TechniQuest Corporation

4105 US Route 1, Suite # 14
 Monmouth Junction, NJ 08852
 Phone: 732-274-9500 Fax: 732-274-9510

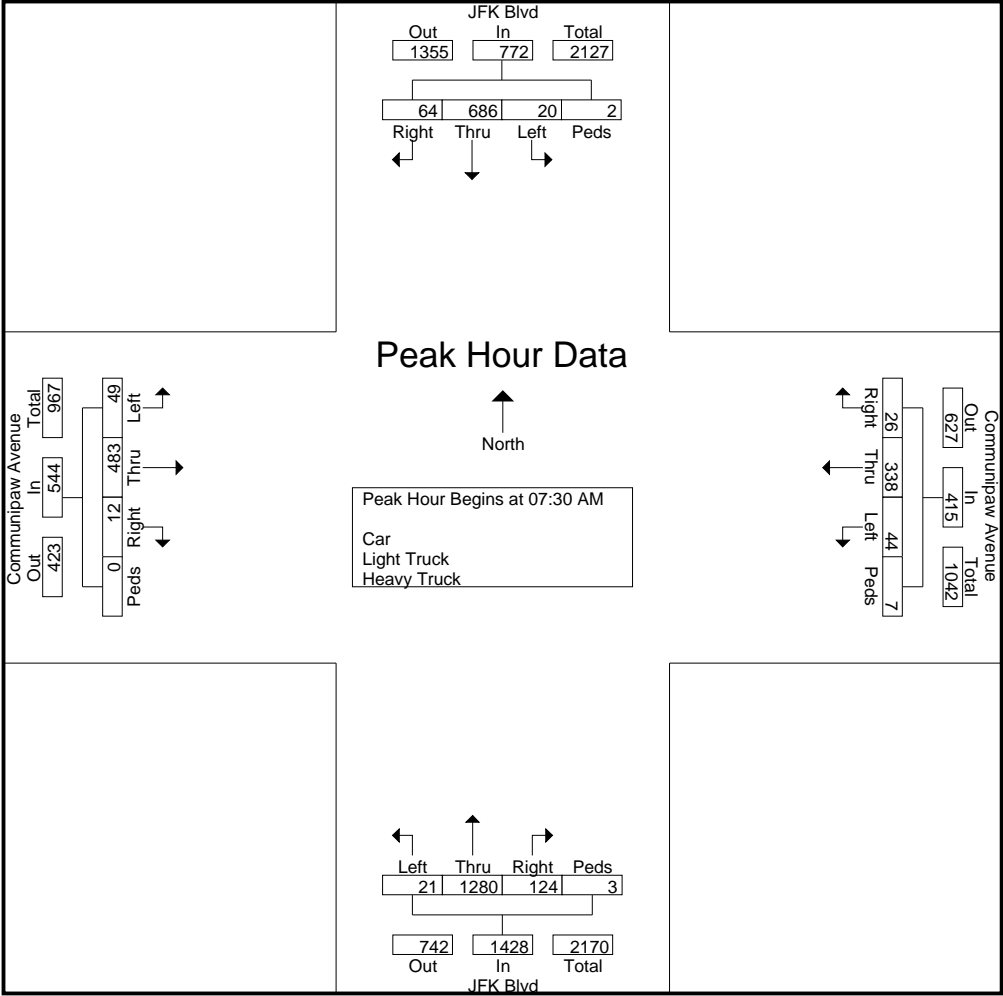
File Name : 06-07-AM
 Site Code : 7
 Start Date : 5/15/2008
 Page No : 2

Start Time	JFK Blvd Southbound					Communipaw Avenue Westbound					JFK Blvd Northbound					Communipaw Avenue Eastbound					Int. Total
	Left	Thru	Right	Peds	App. Total	Left	Thru	Right	Peds	App. Total	Left	Thru	Right	Peds	App. Total	Left	Thru	Right	Peds	App. Total	
Peak Hour Analysis From 06:30 AM to 08:45 AM - Peak 1 of 1																					
Peak Hour for Entire Intersection Begins at 07:30 AM																					
07:30 AM	8	149	21	0	178	11	65	6	0	82	9	337	45	0	391	17	79	1	0	97	748
07:45 AM	4	212	16	2	234	13	100	5	6	124	6	331	27	2	366	11	133	6	0	150	874
08:00 AM	5	176	15	0	196	15	105	8	1	129	3	331	31	0	365	12	123	3	0	138	828
08:15 AM	3	149	12	0	164	5	68	7	0	80	3	281	21	1	306	9	148	2	0	159	709
Total Volume	20	686	64	2	772	44	338	26	7	415	21	1280	124	3	1428	49	483	12	0	544	3159
% App. Total	2.6	88.9	8.3	0.3		10.6	81.4	6.3	1.7		1.5	89.6	8.7	0.2		9	88.8	2.2	0		
PHF	.625	.809	.762	.250	.825	.733	.805	.813	.292	.804	.583	.950	.689	.375	.913	.721	.816	.500	.000	.855	.904

TechniQuest Corporation

4105 US Route 1, Suite # 14
 Monmouth Junction, NJ 08852
 Phone: 732-274-9500 Fax: 732-274-9510

File Name : 06-07-AM
 Site Code : 7
 Start Date : 5/15/2008
 Page No : 3



TechniQuest Corporation

4105 US Route 1, Suite # 14
 Monmouth Junction, NJ 08852
 Phone: 732-274-9500 Fax: 732-274-9510

File Name : 06-07-PM
 Site Code : 7
 Start Date : 5/15/2008
 Page No : 1

Groups Printed- Car - Light Truck - Heavy Truck

Start Time	JFK Blvd Southbound					Communipaw Avenue Westbound					JFK Blvd Northbound					Communipaw Avenue Eastbound					Int. Total
	Left	Thru	Right	Peds	App. Total	Left	Thru	Right	Peds	App. Total	Left	Thru	Right	Peds	App. Total	Left	Thru	Right	Peds	App. Total	
04:00 PM	15	191	42	16	264	21	125	9	13	168	22	143	27	9	201	21	55	21	4	101	734
04:15 PM	10	205	39	16	270	20	142	11	9	182	18	151	22	11	202	18	77	18	8	121	775
04:30 PM	8	229	28	10	275	22	124	16	16	178	35	180	25	14	254	31	107	11	6	155	862
04:45 PM	8	239	34	14	295	31	131	11	7	180	22	186	32	12	252	25	97	13	7	142	869
Total	41	864	143	56	1104	94	522	47	45	708	97	660	106	46	909	95	336	63	25	519	3240
05:00 PM	11	267	28	22	328	27	115	14	10	166	24	184	44	12	264	16	93	19	12	140	898
05:15 PM	16	233	39	11	299	37	112	26	5	180	27	244	31	7	309	24	84	16	4	128	916
05:30 PM	10	271	34	20	335	16	106	24	5	151	33	201	34	9	277	26	71	14	9	120	883
05:45 PM	14	247	43	10	314	20	121	22	5	168	30	199	14	9	252	25	79	15	7	126	860
Total	51	1018	144	63	1276	100	454	86	25	665	114	828	123	37	1102	91	327	64	32	514	3557
06:00 PM	11	260	32	17	320	15	101	11	4	131	33	153	26	6	218	22	92	15	0	129	798
06:15 PM	12	211	30	10	263	34	95	13	3	145	27	147	27	12	213	26	95	16	7	144	765
Grand Total	115	2353	349	146	2963	243	1172	157	77	1649	271	1788	282	101	2442	234	850	158	64	1306	8360
Apprch %	3.9	79.4	11.8	4.9		14.7	71.1	9.5	4.7		11.1	73.2	11.5	4.1		17.9	65.1	12.1	4.9		
Total %	1.4	28.1	4.2	1.7	35.4	2.9	14	1.9	0.9	19.7	3.2	21.4	3.4	1.2	29.2	2.8	10.2	1.9	0.8	15.6	
Car	110	2311	342	146	2909	239	1124	152	77	1592	268	1751	276	101	2396	232	798	156	64	1250	8147
% Car	95.7	98.2	98	100	98.2	98.4	95.9	96.8	100	96.5	98.9	97.9	97.9	100	98.1	99.1	93.9	98.7	100	95.7	97.5
Light Truck	3	42	5	0	50	4	23	5	0	32	0	29	5	0	34	2	19	1	0	22	138
% Light Truck	2.6	1.8	1.4	0	1.7	1.6	2	3.2	0	1.9	0	1.6	1.8	0	1.4	0.9	2.2	0.6	0	1.7	1.7
Heavy Truck	2	0	2	0	4	0	25	0	0	25	3	8	1	0	12	0	33	1	0	34	75
% Heavy Truck	1.7	0	0.6	0	0.1	0	2.1	0	0	1.5	1.1	0.4	0.4	0	0.5	0	3.9	0.6	0	2.6	0.9

TechniQuest Corporation

4105 US Route 1, Suite # 14
 Monmouth Junction, NJ 08852
 Phone: 732-274-9500 Fax: 732-274-9510

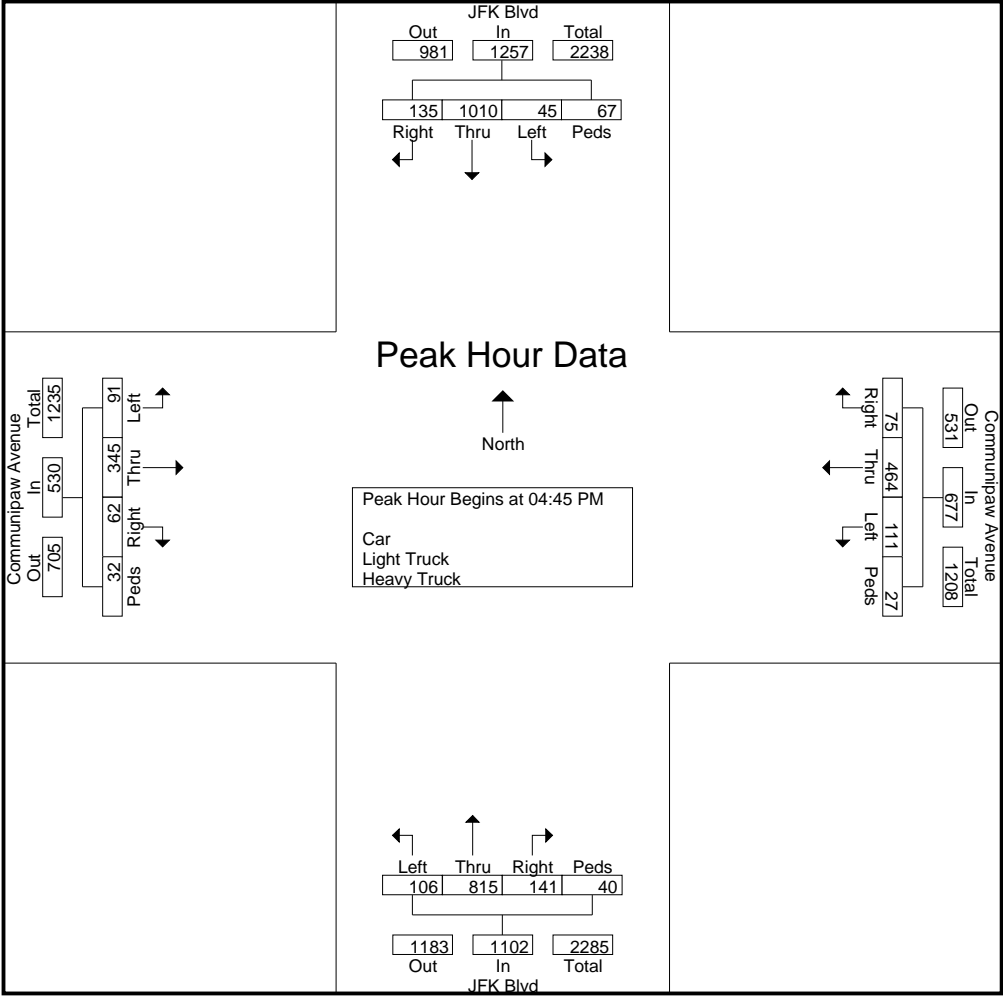
File Name : 06-07-PM
 Site Code : 7
 Start Date : 5/15/2008
 Page No : 2

Start Time	JFK Blvd Southbound					Communipaw Avenue Westbound					JFK Blvd Northbound					Communipaw Avenue Eastbound					Int. Total
	Left	Thru	Right	Peds	App. Total	Left	Thru	Right	Peds	App. Total	Left	Thru	Right	Peds	App. Total	Left	Thru	Right	Peds	App. Total	
Peak Hour Analysis From 04:00 PM to 06:15 PM - Peak 1 of 1																					
Peak Hour for Entire Intersection Begins at 04:45 PM																					
04:45 PM	8	239	34	14	295	31	131	11	7	180	22	186	32	12	252	25	97	13	7	142	869
05:00 PM	11	267	28	22	328	27	115	14	10	166	24	184	44	12	264	16	93	19	12	140	898
05:15 PM	16	233	39	11	299	37	112	26	5	180	27	244	31	7	309	24	84	16	4	128	916
05:30 PM	10	271	34	20	335	16	106	24	5	151	33	201	34	9	277	26	71	14	9	120	883
Total Volume	45	1010	135	67	1257	111	464	75	27	677	106	815	141	40	1102	91	345	62	32	530	3566
% App. Total	3.6	80.4	10.7	5.3		16.4	68.5	11.1	4		9.6	74	12.8	3.6		17.2	65.1	11.7	6		
PHF	.703	.932	.865	.761	.938	.750	.885	.721	.675	.940	.803	.835	.801	.833	.892	.875	.889	.816	.667	.933	.973

TechniQuest Corporation

4105 US Route 1, Suite # 14
 Monmouth Junction, NJ 08852
 Phone: 732-274-9500 Fax: 732-274-9510

File Name : 06-07-PM
 Site Code : 7
 Start Date : 5/15/2008
 Page No : 3



TechniQuest Corporation
 4105 US Route 1, Suite # 14
 Monmouth Junction, NJ 08852
 Phone: 732-274-9500 Fax: 732-274-9510

File Name : 06-08-AM
 Site Code : 8
 Start Date : 5/15/2008
 Page No : 1

Groups Printed- Car - Light Truck - Heavy Truck

Start Time	Communipaw Avenue Southbound					Martin Luther King Jr. Dr Westbound					Communipaw Avenue Northbound					Martin Luther King Jr. Dr Eastbound					Int. Total
	Left	Thru	Right	Peds	App. Total	Left	Thru	Right	Peds	App. Total	Left	Thru	Right	Peds	App. Total	Left	Thru	Right	Peds	App. Total	
06:30 AM	1	7	3	4	15	3	60	6	2	71	8	23	2	2	35	5	50	4	2	61	182
06:45 AM	3	10	6	7	26	4	55	6	3	68	3	31	8	7	49	14	43	6	4	67	210
Total	4	17	9	11	41	7	115	12	5	139	11	54	10	9	84	19	93	10	6	128	392
07:00 AM	4	14	3	1	22	3	75	3	3	84	5	28	7	3	43	9	78	9	1	97	246
07:15 AM	1	18	3	4	26	6	68	7	4	85	5	81	4	2	92	11	81	12	2	106	309
07:30 AM	2	34	1	4	41	1	75	4	11	91	10	81	3	5	99	5	113	12	1	131	362
07:45 AM	2	33	0	2	37	10	96	15	7	128	15	107	6	14	142	4	151	4	3	162	469
Total	9	99	7	11	126	20	314	29	25	388	35	297	20	24	376	29	423	37	7	496	1386
08:00 AM	8	31	6	7	52	9	121	11	1	142	3	71	6	13	93	15	135	7	2	159	446
08:15 AM	2	52	2	16	72	6	71	14	13	104	8	59	7	32	106	9	157	11	27	204	486
08:30 AM	1	47	3	6	57	6	99	17	9	131	6	67	8	16	97	19	126	10	3	158	443
08:45 AM	5	42	5	7	59	11	81	11	13	116	6	65	7	21	99	9	96	11	11	127	401
Total	16	172	16	36	240	32	372	53	36	493	23	262	28	82	395	52	514	39	43	648	1776
Grand Total	29	288	32	58	407	59	801	94	66	1020	69	613	58	115	855	100	1030	86	56	1272	3554
Apprch %	7.1	70.8	7.9	14.3		5.8	78.5	9.2	6.5		8.1	71.7	6.8	13.5		7.9	81	6.8	4.4		
Total %	0.8	8.1	0.9	1.6	11.5	1.7	22.5	2.6	1.9	28.7	1.9	17.2	1.6	3.2	24.1	2.8	29	2.4	1.6	35.8	
Car	27	267	27	58	379	58	712	89	66	925	65	562	55	115	797	98	947	73	56	1174	3275
% Car	93.1	92.7	84.4	100	93.1	98.3	88.9	94.7	100	90.7	94.2	91.7	94.8	100	93.2	98	91.9	84.9	100	92.3	92.1
Light Truck	2	21	1	0	24	1	38	4	0	43	4	50	3	0	57	0	40	5	0	45	169
% Light Truck	6.9	7.3	3.1	0	5.9	1.7	4.7	4.3	0	4.2	5.8	8.2	5.2	0	6.7	0	3.9	5.8	0	3.5	4.8
Heavy Truck	0	0	4	0	4	0	51	1	0	52	0	1	0	0	1	2	43	8	0	53	110
% Heavy Truck	0	0	12.5	0	1	0	6.4	1.1	0	5.1	0	0.2	0	0	0.1	2	4.2	9.3	0	4.2	3.1

TechniQuest Corporation

4105 US Route 1, Suite # 14
 Monmouth Junction, NJ 08852
 Phone: 732-274-9500 Fax: 732-274-9510

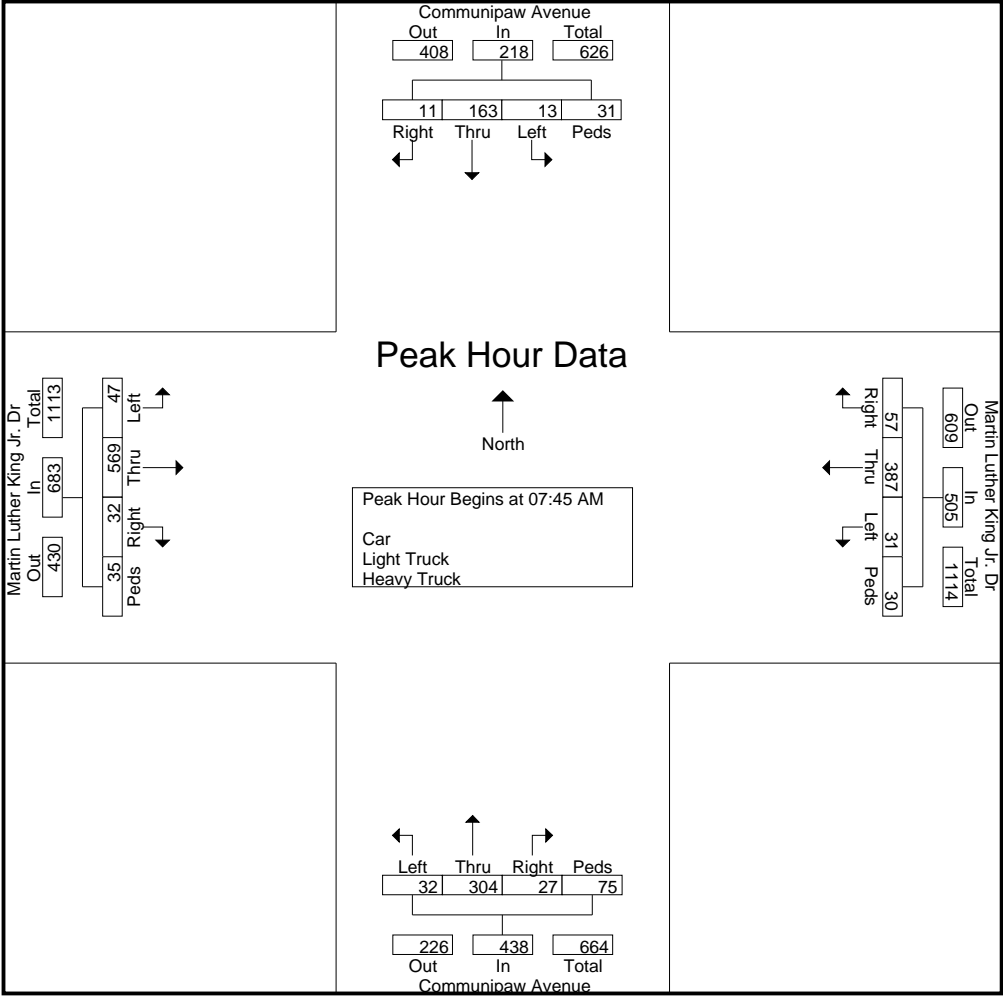
File Name : 06-08-AM
 Site Code : 8
 Start Date : 5/15/2008
 Page No : 2

Start Time	Communipaw Avenue Southbound					Martin Luther King Jr. Dr Westbound					Communipaw Avenue Northbound					Martin Luther King Jr. Dr Eastbound					Int. Total
	Left	Thru	Right	Peds	App. Total	Left	Thru	Right	Peds	App. Total	Left	Thru	Right	Peds	App. Total	Left	Thru	Right	Peds	App. Total	
Peak Hour Analysis From 06:30 AM to 08:45 AM - Peak 1 of 1																					
Peak Hour for Entire Intersection Begins at 07:45 AM																					
07:45 AM	2	33	0	2	37	10	96	15	7	128	15	107	6	14	142	4	151	4	3	162	469
08:00 AM	8	31	6	7	52	9	121	11	1	142	3	71	6	13	93	15	135	7	2	159	446
08:15 AM	2	52	2	16	72	6	71	14	13	104	8	59	7	32	106	9	157	11	27	204	486
08:30 AM	1	47	3	6	57	6	99	17	9	131	6	67	8	16	97	19	126	10	3	158	443
Total Volume	13	163	11	31	218	31	387	57	30	505	32	304	27	75	438	47	569	32	35	683	1844
% App. Total	6	74.8	5	14.2		6.1	76.6	11.3	5.9		7.3	69.4	6.2	17.1		6.9	83.3	4.7	5.1		
PHF	.406	.784	.458	.484	.757	.775	.800	.838	.577	.889	.533	.710	.844	.586	.771	.618	.906	.727	.324	.837	.949

TechniQuest Corporation

4105 US Route 1, Suite # 14
 Monmouth Junction, NJ 08852
 Phone: 732-274-9500 Fax: 732-274-9510

File Name : 06-08-AM
 Site Code : 8
 Start Date : 5/15/2008
 Page No : 3



TechniQuest Corporation

4105 US Route 1, Suite # 14
 Monmouth Junction, NJ 08852
 Phone: 732-274-9500 Fax: 732-274-9510

File Name : 06-08-PM
 Site Code : 8
 Start Date : 5/15/2008
 Page No : 1

Groups Printed- Car - Light Truck - Heavy Truck

Start Time	MLK Jr. Dr. Southbound					Communipaw Avenue Westbound					MLK Jr. Dr. Northbound					Communipaw Avenue Eastbound					Int. Total
	Left	Thru	Right	Peds	App. Total	Left	Thru	Right	Peds	App. Total	Left	Thru	Right	Peds	App. Total	Left	Thru	Right	Peds	App. Total	
04:00 PM	4	55	15	19	93	10	120	16	5	151	11	40	5	10	66	19	70	5	8	102	412
04:15 PM	2	69	19	21	111	13	129	20	9	171	14	49	6	7	76	21	83	7	7	118	476
04:30 PM	4	55	11	21	91	14	131	15	14	174	17	40	6	13	76	19	100	18	11	148	489
04:45 PM	3	56	17	26	102	10	141	15	14	180	19	43	7	10	79	14	107	14	8	143	504
Total	13	235	62	87	397	47	521	66	42	676	61	172	24	40	297	73	360	44	34	511	1881
05:00 PM	6	62	10	20	98	21	127	17	28	193	12	49	4	25	90	26	95	23	8	152	533
05:15 PM	11	65	13	16	105	10	152	19	11	192	8	53	9	13	83	13	95	20	12	140	520
05:30 PM	4	64	18	31	117	14	126	10	8	158	10	44	10	17	81	23	81	10	20	134	490
05:45 PM	5	48	18	12	83	18	146	12	7	183	7	22	12	9	50	14	77	12	7	110	426
Total	26	239	59	79	403	63	551	58	54	726	37	168	35	64	304	76	348	65	47	536	1969
06:00 PM	5	57	16	9	87	13	106	24	10	153	4	39	7	11	61	13	92	22	8	135	436
06:15 PM	11	64	14	15	104	11	115	24	8	158	11	70	8	8	97	17	98	16	14	145	504
Grand Total	55	595	151	190	991	134	1293	172	114	1713	113	449	74	123	759	179	898	147	103	1327	4790
Apprch %	5.5	60	15.2	19.2		7.8	75.5	10	6.7		14.9	59.2	9.7	16.2		13.5	67.7	11.1	7.8		
Total %	1.1	12.4	3.2	4	20.7	2.8	27	3.6	2.4	35.8	2.4	9.4	1.5	2.6	15.8	3.7	18.7	3.1	2.2	27.7	
Car	55	574	151	190	970	134	1247	166	113	1660	105	431	73	123	732	173	860	146	103	1282	4644
% Car	100	96.5	100	100	97.9	100	96.4	96.5	99.1	96.9	92.9	96	98.6	100	96.4	96.6	95.8	99.3	100	96.6	97
Light Truck	0	19	0	0	19	0	19	5	1	25	6	18	1	0	25	3	14	1	0	18	87
% Light Truck	0	3.2	0	0	1.9	0	1.5	2.9	0.9	1.5	5.3	4	1.4	0	3.3	1.7	1.6	0.7	0	1.4	1.8
Heavy Truck	0	2	0	0	2	0	27	1	0	28	2	0	0	0	2	3	24	0	0	27	59
% Heavy Truck	0	0.3	0	0	0.2	0	2.1	0.6	0	1.6	1.8	0	0	0	0.3	1.7	2.7	0	0	2	1.2

TechniQuest Corporation

4105 US Route 1, Suite # 14
 Monmouth Junction, NJ 08852
 Phone: 732-274-9500 Fax: 732-274-9510

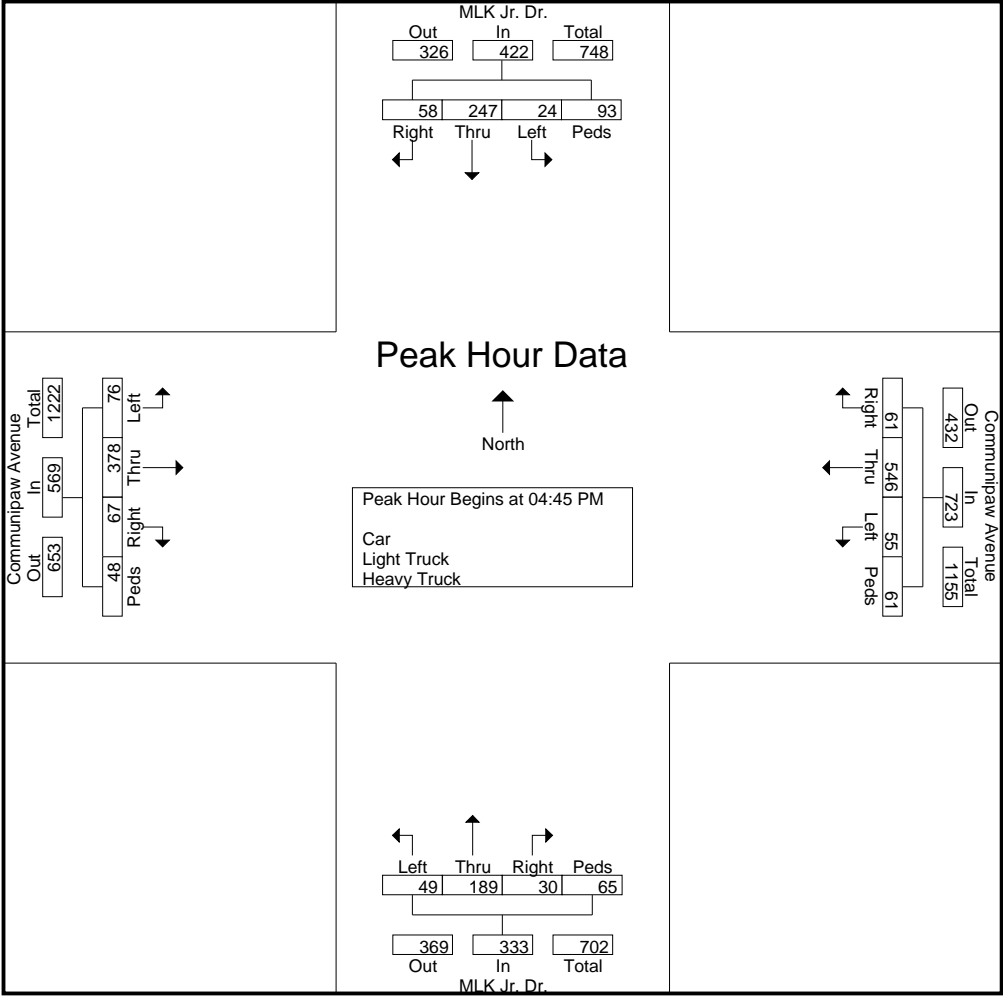
File Name : 06-08-PM
 Site Code : 8
 Start Date : 5/15/2008
 Page No : 2

Start Time	MLK Jr. Dr. Southbound					Communipaw Avenue Westbound					MLK Jr. Dr. Northbound					Communipaw Avenue Eastbound					Int. Total
	Left	Thru	Right	Peds	App. Total	Left	Thru	Right	Peds	App. Total	Left	Thru	Right	Peds	App. Total	Left	Thru	Right	Peds	App. Total	
Peak Hour Analysis From 04:00 PM to 06:15 PM - Peak 1 of 1																					
Peak Hour for Entire Intersection Begins at 04:45 PM																					
04:45 PM	3	56	17	26	102	10	141	15	14	180	19	43	7	10	79	14	107	14	8	143	504
05:00 PM	6	62	10	20	98	21	127	17	28	193	12	49	4	25	90	26	95	23	8	152	533
05:15 PM	11	65	13	16	105	10	152	19	11	192	8	53	9	13	83	13	95	20	12	140	520
05:30 PM	4	64	18	31	117	14	126	10	8	158	10	44	10	17	81	23	81	10	20	134	490
Total Volume	24	247	58	93	422	55	546	61	61	723	49	189	30	65	333	76	378	67	48	569	2047
% App. Total	5.7	58.5	13.7	22		7.6	75.5	8.4	8.4		14.7	56.8	9	19.5		13.4	66.4	11.8	8.4		
PHF	.545	.950	.806	.750	.902	.655	.898	.803	.545	.937	.645	.892	.750	.650	.925	.731	.883	.728	.600	.936	.960

TechniQuest Corporation

4105 US Route 1, Suite # 14
 Monmouth Junction, NJ 08852
 Phone: 732-274-9500 Fax: 732-274-9510

File Name : 06-08-PM
 Site Code : 8
 Start Date : 5/15/2008
 Page No : 3



TechniQuest Corporation

4105 US Route 1, Suite # 14
 Monmouth Junction, NJ 08852
 Phone: 732-274-9500 Fax: 732-274-9510

File Name : 06-09AM-NB May08

Site Code : 9

Start Date : 5/15/2008

Page No : 1

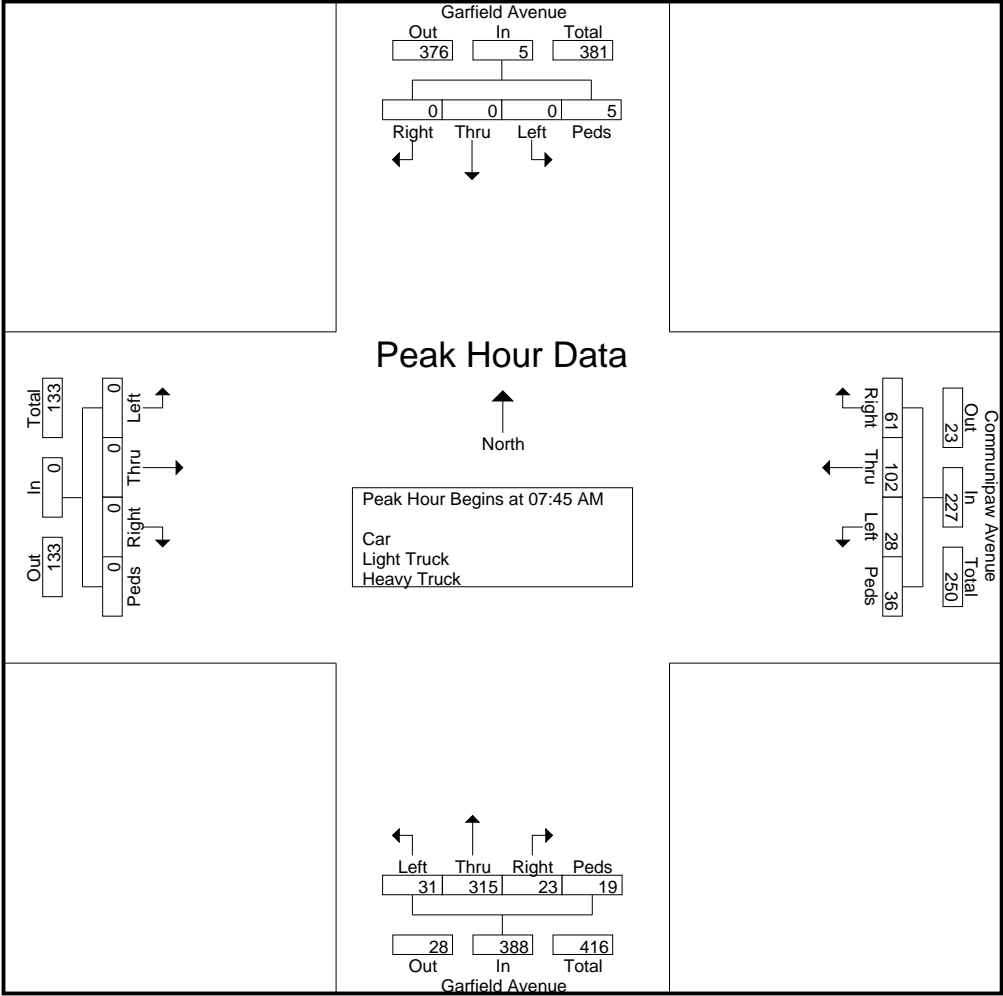
Groups Printed- Car - Light Truck - Heavy Truck

Start Time	Garfield Avenue Southbound					Communiapaw Avenue Westbound					Garfield Avenue Northbound					Eastbound					Int. Total
	Left	Thru	Right	Peds	App. Total	Left	Thru	Right	Peds	App. Total	Left	Thru	Right	Peds	App. Total	Left	Thru	Right	Peds	App. Total	
06:30 AM	0	0	0	2	2	7	24	9	8	48	5	72	8	2	87	0	0	0	0	0	137
06:45 AM	0	0	0	3	3	8	23	13	8	52	7	78	9	1	95	0	0	0	0	0	150
Total	0	0	0	5	5	15	47	22	16	100	12	150	17	3	182	0	0	0	0	0	287
07:00 AM	0	0	0	1	1	8	21	12	6	47	8	82	7	5	102	0	0	0	0	0	150
07:15 AM	0	0	0	2	2	6	21	14	10	51	15	105	4	7	131	0	0	0	0	0	184
07:30 AM	0	0	0	2	2	4	19	13	5	41	6	64	6	7	83	0	0	0	0	0	126
07:45 AM	0	0	0	3	3	8	31	19	4	62	5	85	4	7	101	0	0	0	0	0	166
Total	0	0	0	8	8	26	92	58	25	201	34	336	21	26	417	0	0	0	0	0	626
08:00 AM	0	0	0	0	0	6	27	14	5	52	17	91	8	8	124	0	0	0	0	0	176
08:15 AM	0	0	0	2	2	5	14	10	16	45	5	87	3	0	95	0	0	0	0	0	142
08:30 AM	0	0	0	0	0	9	30	18	11	68	4	52	8	4	68	0	0	0	0	0	136
08:45 AM	0	0	0	0	0	7	15	6	7	35	2	71	3	4	80	0	1	0	0	1	116
Total	0	0	0	2	2	27	86	48	39	200	28	301	22	16	367	0	1	0	0	1	570
Grand Total	0	0	0	15	15	68	225	128	80	501	74	787	60	45	966	0	1	0	0	1	1483
Apprch %	0	0	0	100		13.6	44.9	25.5	16		7.7	81.5	6.2	4.7		0	100	0	0		
Total %	0	0	0	1	1	4.6	15.2	8.6	5.4	33.8	5	53.1	4	3	65.1	0	0.1	0	0	0.1	
Car	0	0	0	15	15	66	191	112	80	449	59	754	53	45	911	0	1	0	0	1	1376
% Car	0	0	0	100	100	97.1	84.9	87.5	100	89.6	79.7	95.8	88.3	100	94.3	0	100	0	0	100	92.8
Light Truck	0	0	0	0	0	1	17	11	0	29	3	24	4	0	31	0	0	0	0	0	60
% Light Truck	0	0	0	0	0	1.5	7.6	8.6	0	5.8	4.1	3	6.7	0	3.2	0	0	0	0	0	4
Heavy Truck	0	0	0	0	0	1	17	5	0	23	12	9	3	0	24	0	0	0	0	0	47
% Heavy Truck	0	0	0	0	0	1.5	7.6	3.9	0	4.6	16.2	1.1	5	0	2.5	0	0	0	0	0	3.2

TechniQuest Corporation

4105 US Route 1, Suite # 14
 Monmouth Junction, NJ 08852
 Phone: 732-274-9500 Fax: 732-274-9510

File Name : 06-09AM-NB May08
 Site Code : 9
 Start Date : 5/15/2008
 Page No : 3



TechniQuest Corporation
 4105 US Route 1, Suite # 14
 Monmouth Junction, NJ 08852
 Phone: 732-274-9500 Fax: 732-274-9510

File Name : 06-09AM-NB
 Site Code : 9
 Start Date : 5/15/2008
 Page No : 1

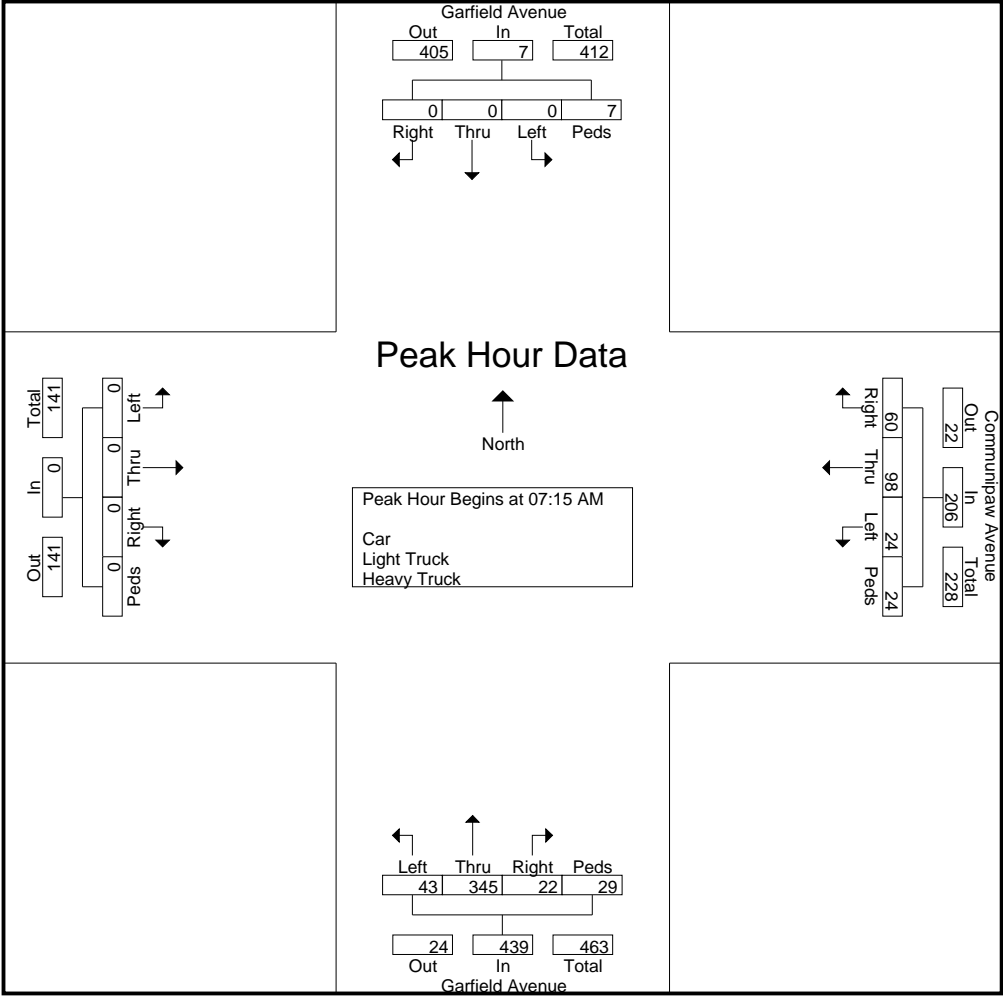
Groups Printed- Car - Light Truck - Heavy Truck

Start Time	Garfield Avenue Southbound					Communiapaw Avenue Westbound					Garfield Avenue Northbound					Eastbound					Int. Total
	Left	Thru	Right	Peds	App. Total	Left	Thru	Right	Peds	App. Total	Left	Thru	Right	Peds	App. Total	Left	Thru	Right	Peds	App. Total	
06:30 AM	0	0	0	2	2	7	24	9	8	48	5	72	8	2	87	0	0	0	0	0	137
06:45 AM	0	0	0	3	3	8	23	13	8	52	7	78	9	1	95	0	0	0	0	0	150
Total	0	0	0	5	5	15	47	22	16	100	12	150	17	3	182	0	0	0	0	0	287
07:00 AM	0	0	0	1	1	8	21	12	6	47	8	82	7	5	102	0	0	0	0	0	150
07:15 AM	0	0	0	2	2	6	21	14	10	51	15	105	4	7	131	0	0	0	0	0	184
07:30 AM	0	0	0	2	2	4	19	13	5	41	6	64	6	7	83	0	0	0	0	0	126
07:45 AM	0	0	0	3	3	8	31	19	4	62	5	85	4	7	101	0	0	0	0	0	166
Total	0	0	0	8	8	26	92	58	25	201	34	336	21	26	417	0	0	0	0	0	626
08:00 AM	0	0	0	0	0	6	27	14	5	52	17	91	8	8	124	0	0	0	0	0	176
08:15 AM	0	0	0	2	2	5	14	10	16	45	5	87	3	0	95	0	0	0	0	0	142
08:30 AM	0	0	0	0	0	9	30	18	11	68	4	52	8	4	68	0	0	0	0	0	136
08:45 AM	0	0	0	0	0	7	15	6	7	35	2	71	3	4	80	0	1	0	0	1	116
Total	0	0	0	2	2	27	86	48	39	200	28	301	22	16	367	0	1	0	0	1	570
Grand Total	0	0	0	15	15	68	225	128	80	501	74	787	60	45	966	0	1	0	0	1	1483
Apprch %	0	0	0	100		13.6	44.9	25.5	16		7.7	81.5	6.2	4.7		0	100	0	0		
Total %	0	0	0	1	1	4.6	15.2	8.6	5.4	33.8	5	53.1	4	3	65.1	0	0.1	0	0	0.1	
Car	0	0	0	15	15	66	191	112	80	449	59	754	53	45	911	0	1	0	0	1	1376
% Car	0	0	0	100	100	97.1	84.9	87.5	100	89.6	79.7	95.8	88.3	100	94.3	0	100	0	0	100	92.8
Light Truck	0	0	0	0	0	1	17	11	0	29	3	24	4	0	31	0	0	0	0	0	60
% Light Truck	0	0	0	0	0	1.5	7.6	8.6	0	5.8	4.1	3	6.7	0	3.2	0	0	0	0	0	4
Heavy Truck	0	0	0	0	0	1	17	5	0	23	12	9	3	0	24	0	0	0	0	0	47
% Heavy Truck	0	0	0	0	0	1.5	7.6	3.9	0	4.6	16.2	1.1	5	0	2.5	0	0	0	0	0	3.2

TechniQuest Corporation

4105 US Route 1, Suite # 14
 Monmouth Junction, NJ 08852
 Phone: 732-274-9500 Fax: 732-274-9510

File Name : 06-09AM-NB
 Site Code : 9
 Start Date : 5/15/2008
 Page No : 3



TechniQuest Corporation
 4105 US Route 1, Suite # 14
 Monmouth Junction, NJ 08852
 Phone: 732-274-9500 Fax: 732-274-9510

File Name : 06-09AM-SB May08
 Site Code : 9
 Start Date : 5/15/2008
 Page No : 1

Groups Printed- Car - Light Truck - Heavy Truck

Start Time	Summit Avenue Southbound					Westbound					Northbound					Communipaw Avenue Eastbound					Int. Total
	Left	Thru	Right	RT to Communipaw Ave	App. Total	Left	Thru	Right	Peds at Summit Ave	App. Total	Left	Thru	Right	Peds	App. Total	Left	Thru	Right	Peds	App. Total	
06:30 AM	2	7	42	0	51	0	0	0	0	0	0	0	0	0	0	8	23	19	5	55	106
06:45 AM	2	7	43	0	52	0	0	0	0	0	0	0	0	0	0	9	25	20	6	60	112
Total	4	14	85	0	103	0	0	0	0	0	0	0	0	0	0	17	48	39	11	115	218
07:00 AM	2	10	48	0	60	0	0	0	0	0	0	0	0	0	0	11	50	26	7	94	154
07:15 AM	0	9	47	1	57	0	0	0	0	0	0	0	0	0	0	21	46	18	4	89	146
07:30 AM	0	12	62	1	75	0	0	0	0	0	0	0	0	0	0	44	55	22	6	127	202
07:45 AM	0	15	83	0	98	0	0	0	0	0	0	0	0	0	0	77	59	28	10	174	272
Total	2	46	240	2	290	0	0	0	0	0	0	0	0	0	0	153	210	94	27	484	774
08:00 AM	0	13	96	1	110	0	0	0	0	0	0	0	0	0	0	74	54	24	8	160	270
08:15 AM	2	14	92	1	109	0	0	0	0	0	0	0	0	0	0	64	78	28	11	181	290
08:30 AM	0	12	100	0	112	0	0	0	0	0	0	0	0	0	0	43	79	25	8	155	267
08:45 AM	0	11	89	1	101	0	0	0	0	0	0	0	0	0	0	30	61	17	17	125	226
Total	2	50	377	3	432	0	0	0	0	0	0	0	0	0	0	211	272	94	44	621	1053
Grand Total	8	110	702	5	825	0	0	0	0	0	0	0	0	0	0	381	530	227	82	1220	2045
Apprch %	1	13.3	85.1	0.6		0	0	0	0	0	0	0	0	0	0	31.2	43.4	18.6	6.7		
Total %	0.4	5.4	34.3	0.2	40.3	0	0	0	0	0	0	0	0	0	0	18.6	25.9	11.1	4	59.7	
Car	5	101	688	5	799	0	0	0	0	0	0	0	0	0	0	377	498	210	82	1167	1966
% Car	62.5	91.8	98	100	96.8	0	0	0	0	0	0	0	0	0	0	99	94	92.5	100	95.7	96.1
Light Truck	3	7	7	0	17	0	0	0	0	0	0	0	0	0	0	4	21	6	0	31	48
% Light Truck	37.5	6.4	1	0	2.1	0	0	0	0	0	0	0	0	0	0	1	4	2.6	0	2.5	2.3
Heavy Truck	0	2	7	0	9	0	0	0	0	0	0	0	0	0	0	0	11	11	0	22	31
% Heavy Truck	0	1.8	1	0	1.1	0	0	0	0	0	0	0	0	0	0	0	2.1	4.8	0	1.8	1.5

TechniQuest Corporation

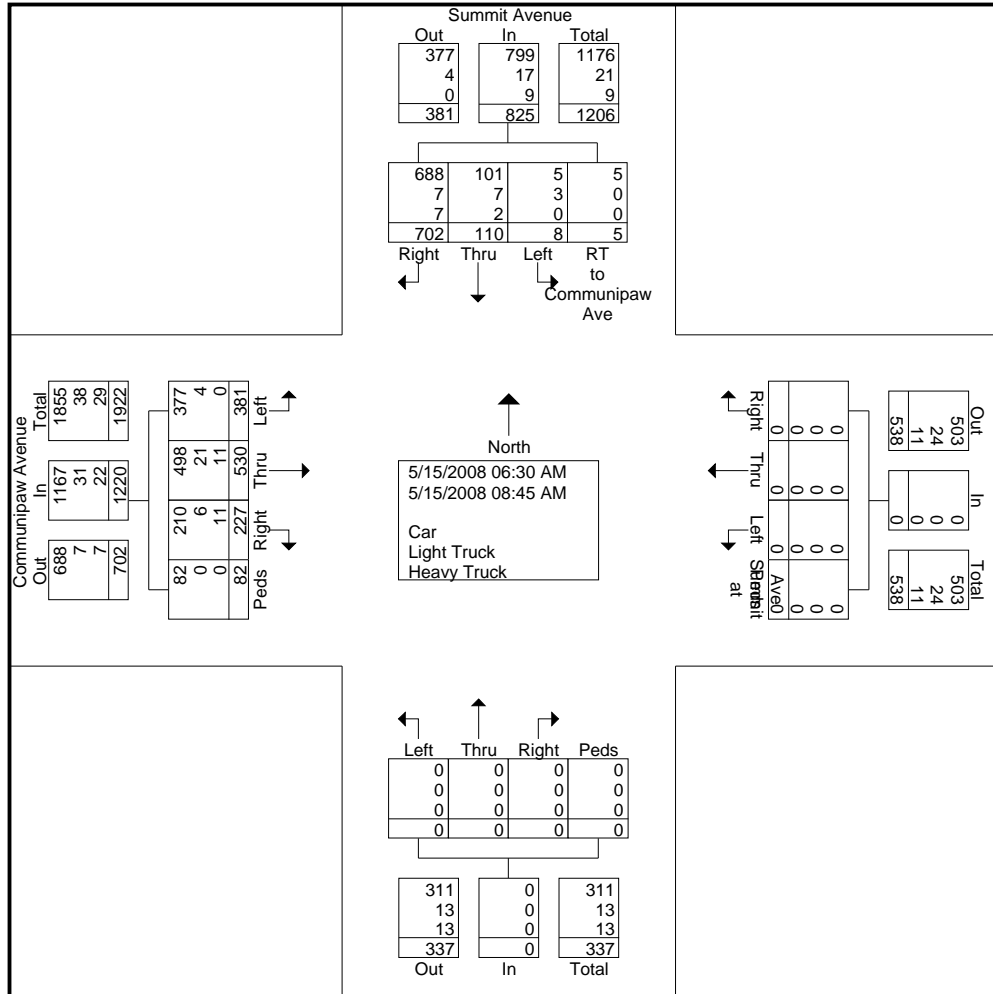
4105 US Route 1, Suite # 14
 Monmouth Junction, NJ 08852
 Phone: 732-274-9500 Fax: 732-274-9510

File Name : 06-09AM-SB May08

Site Code : 9

Start Date : 5/15/2008

Page No : 2



TechniQuest Corporation

4105 US Route 1, Suite # 14
 Monmouth Junction, NJ 08852
 Phone: 732-274-9500 Fax: 732-274-9510

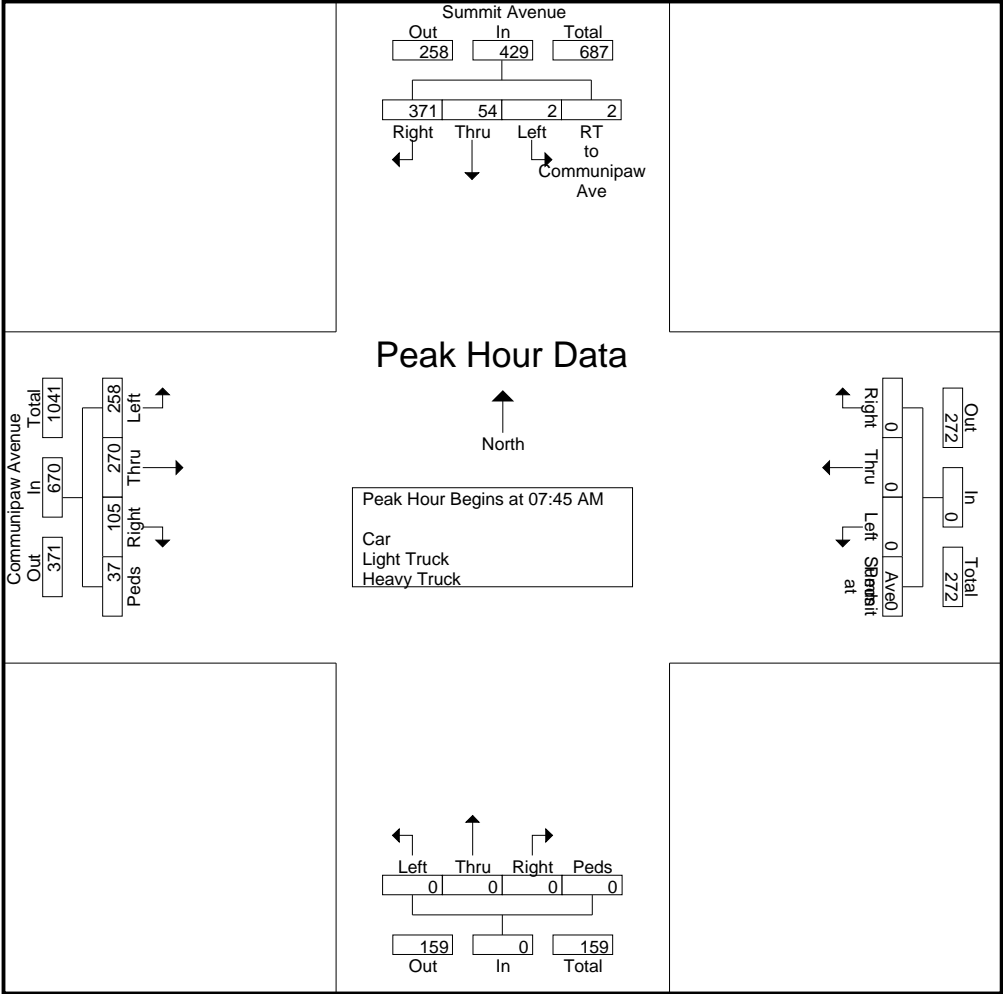
File Name : 06-09AM-SB May08
 Site Code : 9
 Start Date : 5/15/2008
 Page No : 3

Start Time	Summit Avenue Southbound					Westbound					Northbound					Communipaw Avenue Eastbound					Int. Total
	Left	Thru	Right	RT to Communipaw Ave	App. Total	Left	Thru	Right	Peds at Summit Ave	App. Total	Left	Thru	Right	Peds	App. Total	Left	Thru	Right	Peds	App. Total	
Peak Hour Analysis From 07:45 AM to 08:45 AM - Peak 1 of 1																					
Peak Hour for Entire Intersection Begins at 07:45 AM																					
07:45 AM	0	15	83	0	98	0	0	0	0	0	0	0	0	0	0	77	59	28	10	174	272
08:00 AM	0	13	96	1	110	0	0	0	0	0	0	0	0	0	0	74	54	24	8	160	270
08:15 AM	2	14	92	1	109	0	0	0	0	0	0	0	0	0	0	64	78	28	11	181	290
08:30 AM	0	12	100	0	112	0	0	0	0	0	0	0	0	0	0	43	79	25	8	155	267
Total Volume	2	54	371	2	429	0	0	0	0	0	0	0	0	0	0	258	270	105	37	670	1099
% App. Total	0.5	12.6	86.5	0.5		0	0	0	0	0	0	0	0	0	0	38.5	40.3	15.7	5.5		
PHF	.250	.900	.928	.500	.958	.000	.000	.000	.000	.000	.000	.000	.000	.000	.000	.838	.854	.938	.841	.925	.947

TechniQuest Corporation

4105 US Route 1, Suite # 14
 Monmouth Junction, NJ 08852
 Phone: 732-274-9500 Fax: 732-274-9510

File Name : 06-09AM-SB May08
 Site Code : 9
 Start Date : 5/15/2008
 Page No : 4



TechniQuest Corporation
 4105 US Route 1, Suite # 14
 Monmouth Junction, NJ 08852
 Phone: 732-274-9500 Fax: 732-274-9510

File Name : 06-09AM-SB
 Site Code : 9
 Start Date : 5/15/2008
 Page No : 1

Groups Printed- Car - Light Truck - Heavy Truck

Start Time	Summit Avenue Southbound					Westbound					Northbound					Communipaw Avenue Eastbound					Int. Total
	Left	Thru	Right	RT to Communipaw Ave	App. Total	Left	Thru	Right	Peds at Summit Ave	App. Total	Left	Thru	Right	Peds	App. Total	Left	Thru	Right	Peds	App. Total	
06:30 AM	2	7	42	0	51	0	0	0	0	0	0	0	0	0	0	8	23	19	5	55	106
06:45 AM	2	7	43	0	52	0	0	0	0	0	0	0	0	0	0	9	25	20	6	60	112
Total	4	14	85	0	103	0	0	0	0	0	0	0	0	0	0	17	48	39	11	115	218
07:00 AM	2	10	48	0	60	0	0	0	0	0	0	0	0	0	0	11	50	26	7	94	154
07:15 AM	0	9	47	1	57	0	0	0	0	0	0	0	0	0	0	21	46	18	4	89	146
07:30 AM	0	12	62	1	75	0	0	0	0	0	0	0	0	0	0	44	55	22	6	127	202
07:45 AM	0	15	83	0	98	0	0	0	0	0	0	0	0	0	0	77	59	28	10	174	272
Total	2	46	240	2	290	0	0	0	0	0	0	0	0	0	0	153	210	94	27	484	774
08:00 AM	0	13	96	1	110	0	0	0	0	0	0	0	0	0	0	74	54	24	8	160	270
08:15 AM	2	14	92	1	109	0	0	0	0	0	0	0	0	0	0	64	78	28	11	181	290
08:30 AM	0	12	100	0	112	0	0	0	0	0	0	0	0	0	0	43	79	25	8	155	267
08:45 AM	0	11	89	1	101	0	0	0	0	0	0	0	0	0	0	30	61	17	17	125	226
Total	2	50	377	3	432	0	0	0	0	0	0	0	0	0	0	211	272	94	44	621	1053
Grand Total	8	110	702	5	825	0	0	0	0	0	0	0	0	0	0	381	530	227	82	1220	2045
Apprch %	1	13.3	85.1	0.6		0	0	0	0	0	0	0	0	0	0	31.2	43.4	18.6	6.7		
Total %	0.4	5.4	34.3	0.2	40.3	0	0	0	0	0	0	0	0	0	0	18.6	25.9	11.1	4	59.7	
Car	5	101	688	5	799	0	0	0	0	0	0	0	0	0	0	377	498	210	82	1167	1966
% Car	62.5	91.8	98	100	96.8	0	0	0	0	0	0	0	0	0	0	99	94	92.5	100	95.7	96.1
Light Truck	3	7	7	0	17	0	0	0	0	0	0	0	0	0	0	4	21	6	0	31	48
% Light Truck	37.5	6.4	1	0	2.1	0	0	0	0	0	0	0	0	0	0	1	4	2.6	0	2.5	2.3
Heavy Truck	0	2	7	0	9	0	0	0	0	0	0	0	0	0	0	0	11	11	0	22	31
% Heavy Truck	0	1.8	1	0	1.1	0	0	0	0	0	0	0	0	0	0	0	2.1	4.8	0	1.8	1.5

TechniQuest Corporation

4105 US Route 1, Suite # 14
 Monmouth Junction, NJ 08852
 Phone: 732-274-9500 Fax: 732-274-9510

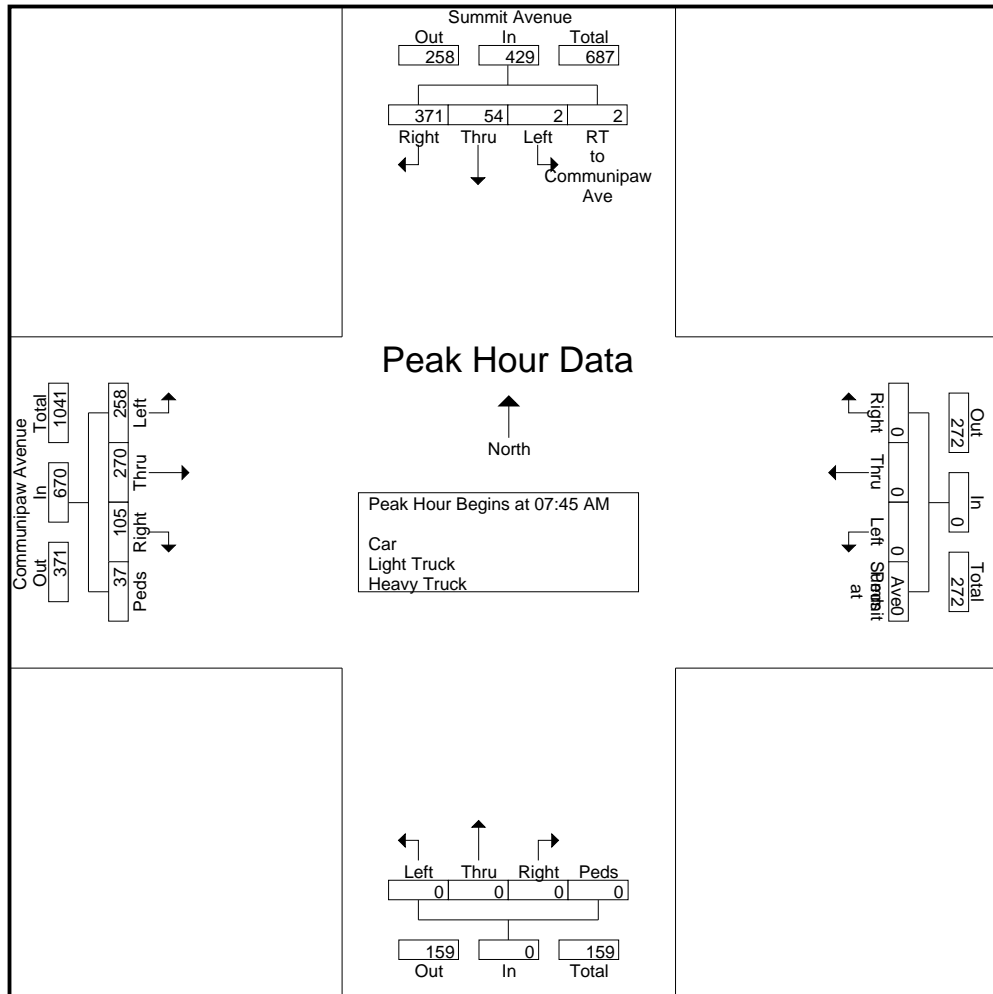
File Name : 06-09AM-SB
 Site Code : 9
 Start Date : 5/15/2008
 Page No : 2

Start Time	Summit Avenue Southbound					Westbound					Northbound					Communipaw Avenue Eastbound					Int. Total
	Left	Thru	Right	RT to Communipaw Ave	App. Total	Left	Thru	Right	Peds at Summit Ave	App. Total	Left	Thru	Right	Peds	App. Total	Left	Thru	Right	Peds	App. Total	
Peak Hour Analysis From 06:30 AM to 08:45 AM - Peak 1 of 1																					
Peak Hour for Entire Intersection Begins at 07:45 AM																					
07:45 AM	0	15	83	0	98	0	0	0	0	0	0	0	0	0	0	77	59	28	10	174	272
08:00 AM	0	13	96	1	110	0	0	0	0	0	0	0	0	0	0	74	54	24	8	160	270
08:15 AM	2	14	92	1	109	0	0	0	0	0	0	0	0	0	0	64	78	28	11	181	290
08:30 AM	0	12	100	0	112	0	0	0	0	0	0	0	0	0	0	43	79	25	8	155	267
Total Volume	2	54	371	2	429	0	0	0	0	0	0	0	0	0	0	258	270	105	37	670	1099
% App. Total	0.5	12.6	86.5	0.5		0	0	0	0	0	0	0	0	0	0	38.5	40.3	15.7	5.5		
PHF	.250	.900	.928	.500	.958	.000	.000	.000	.000	.000	.000	.000	.000	.000	.000	.838	.854	.938	.841	.925	.947

TechniQuest Corporation

4105 US Route 1, Suite # 14
 Monmouth Junction, NJ 08852
 Phone: 732-274-9500 Fax: 732-274-9510

File Name : 06-09AM-SB
 Site Code : 9
 Start Date : 5/15/2008
 Page No : 3



TechniQuest Corporation

4105 US Route 1, Suite # 14
 Monmouth Junction, NJ 08852
 Phone: 732-274-9500 Fax: 732-274-9510

File Name : 06-09PM-NB May08

Site Code : 9

Start Date : 5/15/2008

Page No : 1

Groups Printed- Car - Light Truck - Heavy Truck

Start Time	Garfield Avenue Southbound					Communipaw Avenue Westbound					Garfield Avenue Northbound					Eastbound					Int. Total
	Left	Thru	Right	Peds	App. Total	Left	Thru	Right	Peds	App. Total	Left	Thru	Right	Peds	App. Total	Left	Thru	Right	Peds	App. Total	
04:00 PM	0	0	0	2	2	12	33	10	4	59	8	42	2	3	55	0	0	0	0	0	116
04:15 PM	0	0	0	1	1	13	41	16	2	72	15	69	6	6	96	0	0	0	0	0	169
04:30 PM	0	0	0	3	3	22	47	20	9	98	14	54	8	2	78	0	0	0	0	0	179
04:45 PM	0	0	0	4	4	16	46	25	5	92	14	81	6	5	106	0	0	0	0	0	202
Total	0	0	0	10	10	63	167	71	20	321	51	246	22	16	335	0	0	0	0	0	666
05:00 PM	0	0	0	3	3	21	48	15	5	89	18	90	6	1	115	0	0	0	0	0	207
05:15 PM	0	0	0	2	2	15	56	7	1	79	12	73	7	0	92	0	0	0	0	0	173
05:30 PM	0	0	0	3	3	16	41	11	3	71	8	57	8	1	74	0	0	0	0	0	148
05:45 PM	0	0	0	2	2	21	47	6	1	75	10	46	5	7	68	0	0	0	0	0	145
Total	0	0	0	10	10	73	192	39	10	314	48	266	26	9	349	0	0	0	0	0	673
06:00 PM	0	0	0	1	1	15	41	14	10	80	18	51	4	0	73	0	0	0	0	0	154
06:15 PM	0	0	0	2	2	5	37	8	7	57	15	59	10	2	86	0	0	0	0	0	145
Grand Total	0	0	0	23	23	156	437	132	47	772	132	622	62	27	843	0	0	0	0	0	1638
Apprch %	0	0	0	100		20.2	56.6	17.1	6.1		15.7	73.8	7.4	3.2		0	0	0	0		
Total %	0	0	0	1.4	1.4	9.5	26.7	8.1	2.9	47.1	8.1	38	3.8	1.6	51.5	0	0	0	0	0	
Car	0	0	0	23	23	155	416	129	47	747	119	597	60	27	803	0	0	0	0	0	1573
% Car	0	0	0	100	100	99.4	95.2	97.7	100	96.8	90.2	96	96.8	100	95.3	0	0	0	0	0	96
Light Truck	0	0	0	0	0	0	17	2	0	19	4	14	0	0	18	0	0	0	0	0	37
% Light Truck	0	0	0	0	0	0	3.9	1.5	0	2.5	3	2.3	0	0	2.1	0	0	0	0	0	2.3
Heavy Truck	0	0	0	0	0	1	4	1	0	6	9	11	2	0	22	0	0	0	0	0	28
% Heavy Truck	0	0	0	0	0	0.6	0.9	0.8	0	0.8	6.8	1.8	3.2	0	2.6	0	0	0	0	0	1.7

TechniQuest Corporation

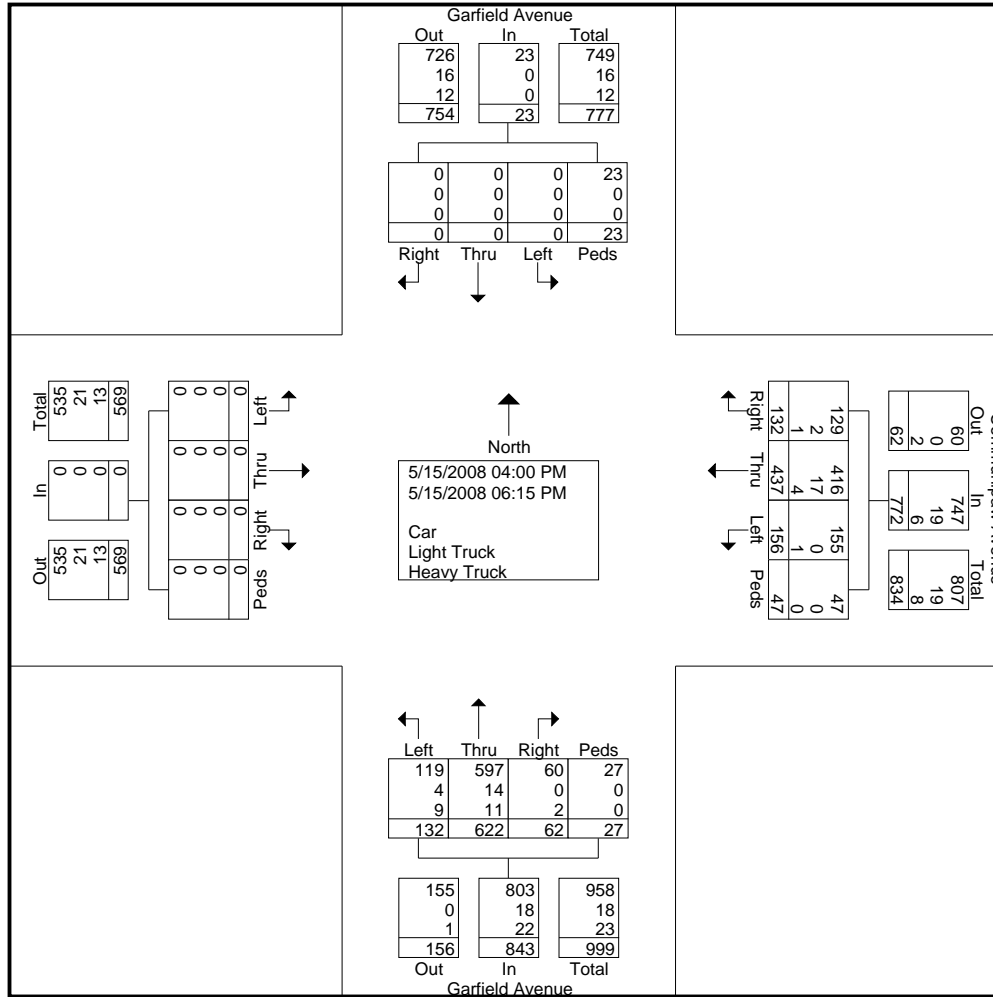
4105 US Route 1, Suite # 14
 Monmouth Junction, NJ 08852
 Phone: 732-274-9500 Fax: 732-274-9510

File Name : 06-09PM-NB May08

Site Code : 9

Start Date : 5/15/2008

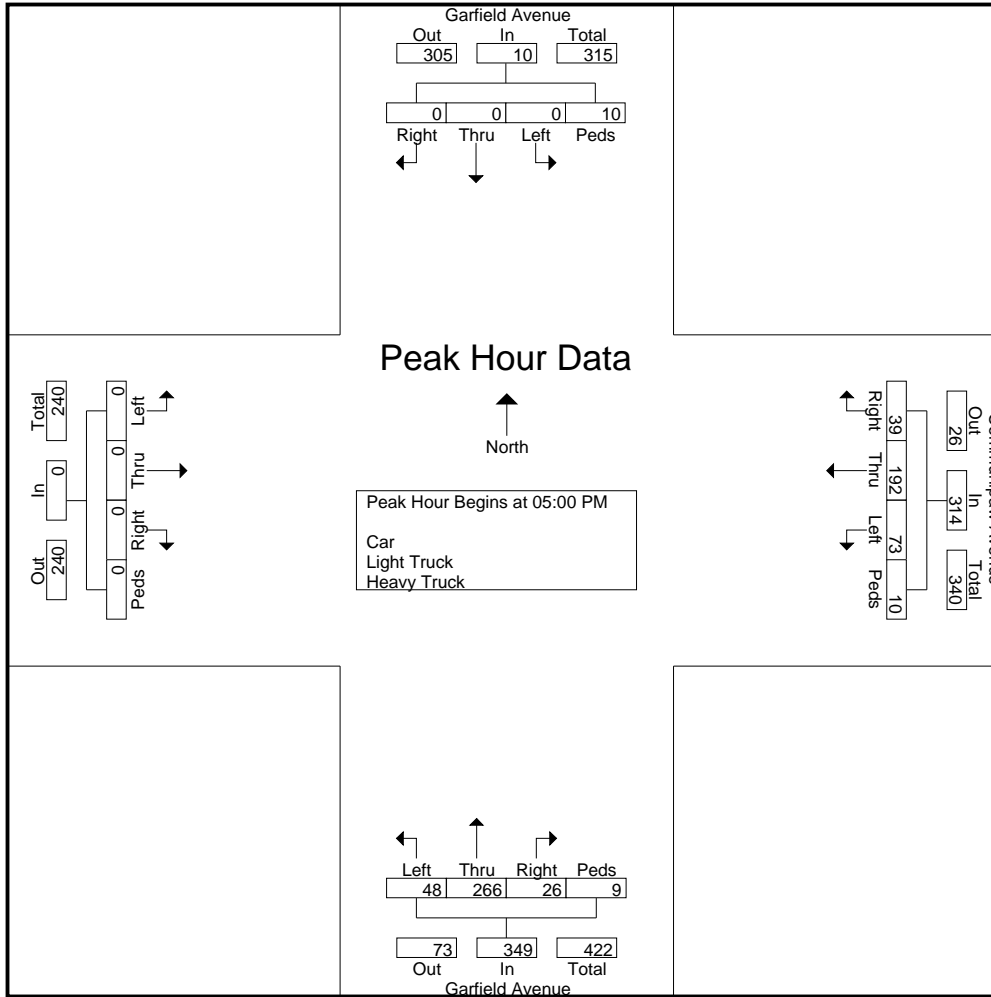
Page No : 2



TechniQuest Corporation

4105 US Route 1, Suite # 14
 Monmouth Junction, NJ 08852
 Phone: 732-274-9500 Fax: 732-274-9510

File Name : 06-09PM-NB May08
 Site Code : 9
 Start Date : 5/15/2008
 Page No : 4



TechniQuest Corporation

4105 US Route 1, Suite # 14
 Monmouth Junction, NJ 08852
 Phone: 732-274-9500 Fax: 732-274-9510

File Name : 06-09PM-NB
 Site Code : 9
 Start Date : 5/15/2008
 Page No : 1

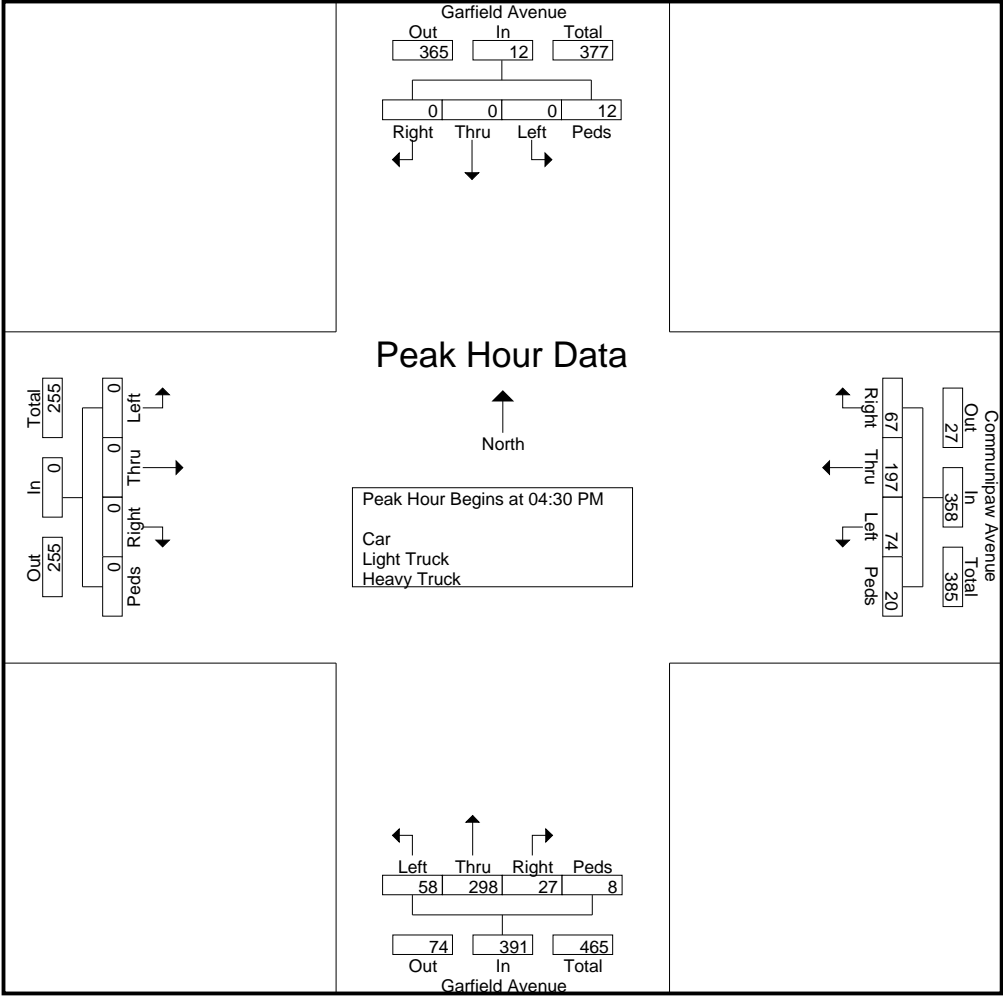
Groups Printed- Car - Light Truck - Heavy Truck

Start Time	Garfield Avenue Southbound					Communipaw Avenue Westbound					Garfield Avenue Northbound					Eastbound					Int. Total
	Left	Thru	Right	Peds	App. Total	Left	Thru	Right	Peds	App. Total	Left	Thru	Right	Peds	App. Total	Left	Thru	Right	Peds	App. Total	
04:00 PM	0	0	0	2	2	12	33	10	4	59	8	42	2	3	55	0	0	0	0	0	116
04:15 PM	0	0	0	1	1	13	41	16	2	72	15	69	6	6	96	0	0	0	0	0	169
04:30 PM	0	0	0	3	3	22	47	20	9	98	14	54	8	2	78	0	0	0	0	0	179
04:45 PM	0	0	0	4	4	16	46	25	5	92	14	81	6	5	106	0	0	0	0	0	202
Total	0	0	0	10	10	63	167	71	20	321	51	246	22	16	335	0	0	0	0	0	666
05:00 PM	0	0	0	3	3	21	48	15	5	89	18	90	6	1	115	0	0	0	0	0	207
05:15 PM	0	0	0	2	2	15	56	7	1	79	12	73	7	0	92	0	0	0	0	0	173
05:30 PM	0	0	0	3	3	16	41	11	3	71	8	57	8	1	74	0	0	0	0	0	148
05:45 PM	0	0	0	2	2	21	47	6	1	75	10	46	5	7	68	0	0	0	0	0	145
Total	0	0	0	10	10	73	192	39	10	314	48	266	26	9	349	0	0	0	0	0	673
06:00 PM	0	0	0	1	1	15	41	14	10	80	18	51	4	0	73	0	0	0	0	0	154
06:15 PM	0	0	0	2	2	5	37	8	7	57	15	59	10	2	86	0	0	0	0	0	145
Grand Total	0	0	0	23	23	156	437	132	47	772	132	622	62	27	843	0	0	0	0	0	1638
Apprch %	0	0	0	100		20.2	56.6	17.1	6.1		15.7	73.8	7.4	3.2		0	0	0	0		
Total %	0	0	0	1.4	1.4	9.5	26.7	8.1	2.9	47.1	8.1	38	3.8	1.6	51.5	0	0	0	0	0	
Car	0	0	0	23	23	155	416	129	47	747	119	597	60	27	803	0	0	0	0	0	1573
% Car	0	0	0	100	100	99.4	95.2	97.7	100	96.8	90.2	96	96.8	100	95.3	0	0	0	0	0	96
Light Truck	0	0	0	0	0	0	17	2	0	19	4	14	0	0	18	0	0	0	0	0	37
% Light Truck	0	0	0	0	0	0	3.9	1.5	0	2.5	3	2.3	0	0	2.1	0	0	0	0	0	2.3
Heavy Truck	0	0	0	0	0	1	4	1	0	6	9	11	2	0	22	0	0	0	0	0	28
% Heavy Truck	0	0	0	0	0	0.6	0.9	0.8	0	0.8	6.8	1.8	3.2	0	2.6	0	0	0	0	0	1.7

TechniQuest Corporation

4105 US Route 1, Suite # 14
 Monmouth Junction, NJ 08852
 Phone: 732-274-9500 Fax: 732-274-9510

File Name : 06-09PM-NB
 Site Code : 9
 Start Date : 5/15/2008
 Page No : 3



TechniQuest Corporation
 4105 US Route 1, Suite # 14
 Monmouth Junction, NJ 08852
 Phone: 732-274-9500 Fax: 732-274-9510

File Name : 06-09PM-SB May08
 Site Code : 9
 Start Date : 5/15/2008
 Page No : 1

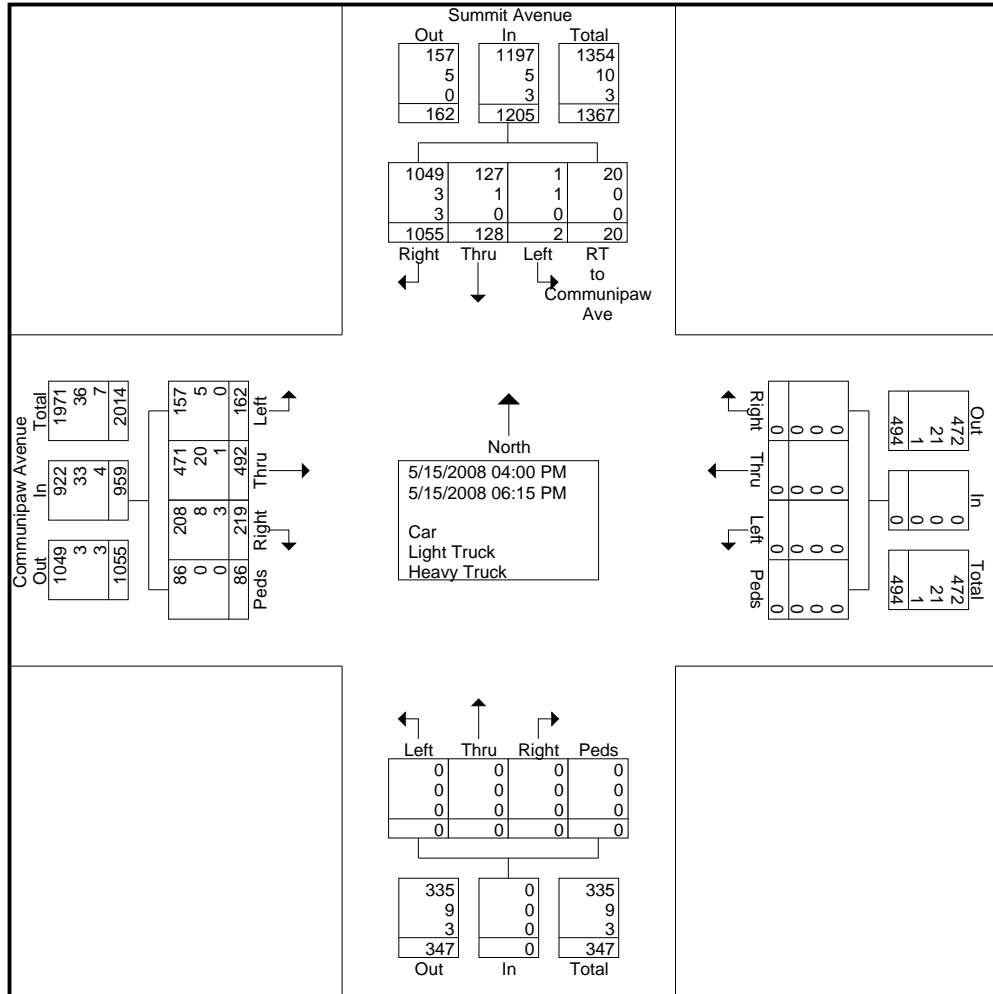
Groups Printed- Car - Light Truck - Heavy Truck

Start Time	Summit Avenue Southbound					Westbound					Northbound					Communiapaw Avenue Eastbound					Int. Total
	Left	Thru	Right	RT to Communiapaw Ave	App. Total	Left	Thru	Right	Peds	App. Total	Left	Thru	Right	Peds	App. Total	Left	Thru	Right	Peds	App. Total	
04:00 PM	0	13	99	1	113	0	0	0	0	0	0	0	0	0	0	8	40	18	3	69	182
04:15 PM	0	14	103	2	119	0	0	0	0	0	0	0	0	0	0	9	42	20	9	80	199
04:30 PM	0	13	104	1	118	0	0	0	0	0	0	0	0	0	0	25	54	22	5	106	224
04:45 PM	0	18	110	2	130	0	0	0	0	0	0	0	0	0	0	21	56	22	13	112	242
Total	0	58	416	6	480	0	0	0	0	0	0	0	0	0	0	63	192	82	30	367	847
05:00 PM	0	10	108	0	118	0	0	0	0	0	0	0	0	0	0	18	39	32	14	103	221
05:15 PM	1	8	119	2	130	0	0	0	0	0	0	0	0	0	0	12	62	27	7	108	238
05:30 PM	0	15	107	1	123	0	0	0	0	0	0	0	0	0	0	20	46	20	10	96	219
05:45 PM	1	16	119	2	138	0	0	0	0	0	0	0	0	0	0	17	53	18	5	93	231
Total	2	49	453	5	509	0	0	0	0	0	0	0	0	0	0	67	200	97	36	400	909
06:00 PM	0	12	93	6	111	0	0	0	0	0	0	0	0	0	0	15	49	16	13	93	204
06:15 PM	0	9	93	3	105	0	0	0	0	0	0	0	0	0	0	17	51	24	7	99	204
Grand Total	2	128	1055	20	1205	0	0	0	0	0	0	0	0	0	0	162	492	219	86	959	2164
Apprch %	0.2	10.6	87.6	1.7		0	0	0	0		0	0	0	0		16.9	51.3	22.8	9		
Total %	0.1	5.9	48.8	0.9	55.7	0	0	0	0	0	0	0	0	0	0	7.5	22.7	10.1	4	44.3	
Car	1	127	1049	20	1197	0	0	0	0	0	0	0	0	0	0	157	471	208	86	922	2119
% Car	50	99.2	99.4	100	99.3	0	0	0	0	0	0	0	0	0	0	96.9	95.7	95	100	96.1	97.9
Light Truck	1	1	3	0	5	0	0	0	0	0	0	0	0	0	0	5	20	8	0	33	38
% Light Truck	50	0.8	0.3	0	0.4	0	0	0	0	0	0	0	0	0	0	3.1	4.1	3.7	0	3.4	1.8
Heavy Truck	0	0	3	0	3	0	0	0	0	0	0	0	0	0	0	0	1	3	0	4	7
% Heavy Truck	0	0	0.3	0	0.2	0	0	0	0	0	0	0	0	0	0	0	0.2	1.4	0	0.4	0.3

TechniQuest Corporation

4105 US Route 1, Suite # 14
 Monmouth Junction, NJ 08852
 Phone: 732-274-9500 Fax: 732-274-9510

File Name : 06-09PM-SB May08
 Site Code : 9
 Start Date : 5/15/2008
 Page No : 2



TechniQuest Corporation

4105 US Route 1, Suite # 14
 Monmouth Junction, NJ 08852
 Phone: 732-274-9500 Fax: 732-274-9510

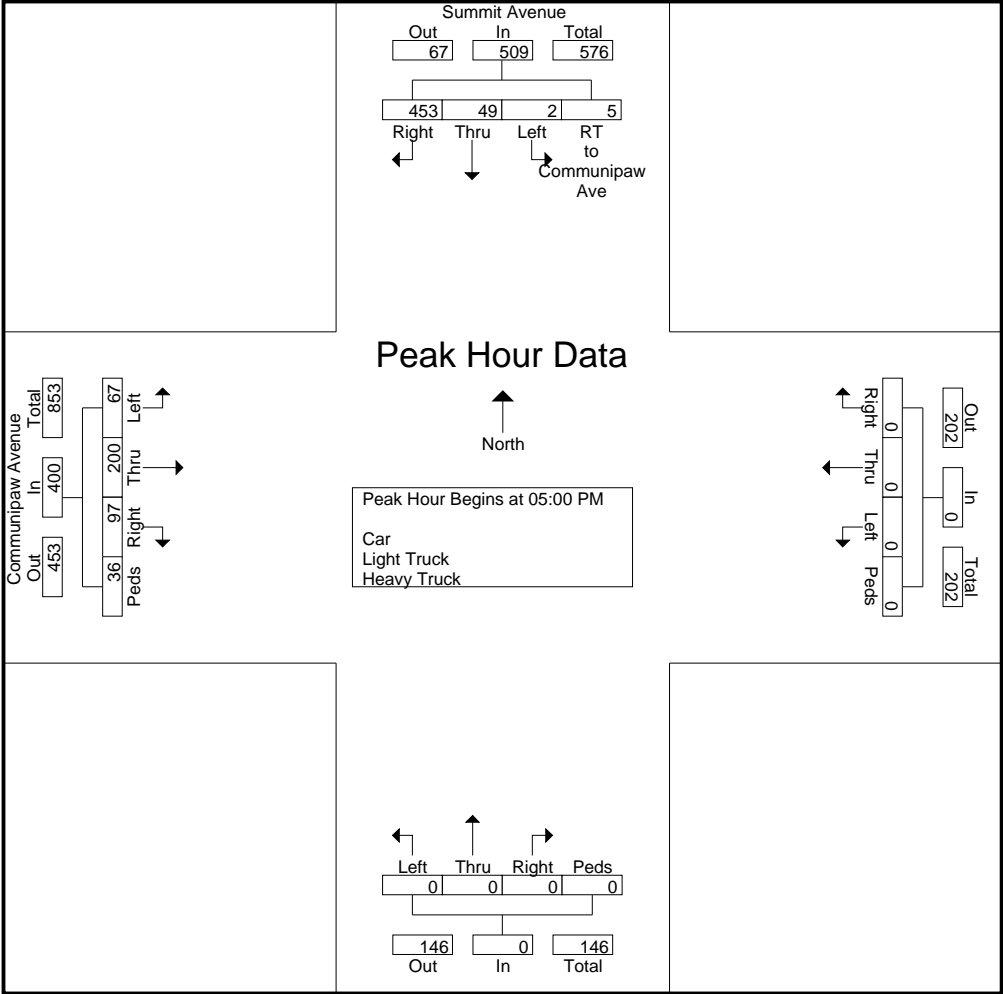
File Name : 06-09PM-SB May08
 Site Code : 9
 Start Date : 5/15/2008
 Page No : 3

Start Time	Summit Avenue Southbound					Westbound					Northbound					Communipaw Avenue Eastbound					Int. Total
	Left	Thru	Right	RT to Communipaw Ave.	App. Total	Left	Thru	Right	Peds	App. Total	Left	Thru	Right	Peds	App. Total	Left	Thru	Right	Peds	App. Total	
Peak Hour Analysis From 05:00 PM to 06:00 PM - Peak 1 of 1																					
Peak Hour for Entire Intersection Begins at 05:00 PM																					
05:00 PM	0	10	108	0	118	0	0	0	0	0	0	0	0	0	0	18	39	32	14	103	221
05:15 PM	1	8	119	2	130	0	0	0	0	0	0	0	0	0	0	12	62	27	7	108	238
05:30 PM	0	15	107	1	123	0	0	0	0	0	0	0	0	0	0	20	46	20	10	96	219
05:45 PM	1	16	119	2	138	0	0	0	0	0	0	0	0	0	0	17	53	18	5	93	231
Total Volume	2	49	453	5	509	0	0	0	0	0	0	0	0	0	0	67	200	97	36	400	909
% App. Total	0.4	9.6	89	1		0	0	0	0	0	0	0	0	0	0	16.8	50	24.2	9		
PHF	.500	.766	.952	.625	.922	.000	.000	.000	.000	.000	.000	.000	.000	.000	.000	.838	.806	.758	.643	.926	.955

TechniQuest Corporation

4105 US Route 1, Suite # 14
 Monmouth Junction, NJ 08852
 Phone: 732-274-9500 Fax: 732-274-9510

File Name : 06-09PM-SB May08
 Site Code : 9
 Start Date : 5/15/2008
 Page No : 4



TechniQuest Corporation

4105 US Route 1, Suite # 14
 Monmouth Junction, NJ 08852
 Phone: 732-274-9500 Fax: 732-274-9510

File Name : 06-09PM-SB
 Site Code : 9
 Start Date : 5/15/2008
 Page No : 1

Groups Printed- Car - Light Truck - Heavy Truck

Start Time	Summit Avenue Southbound					Westbound					Northbound					Communiapaw Avenue Eastbound					Int. Total
	Left	Thru	Right	RT to Communiapaw Ave	App. Total	Left	Thru	Right	Peds	App. Total	Left	Thru	Right	Peds	App. Total	Left	Thru	Right	Peds	App. Total	
04:00 PM	0	13	99	1	113	0	0	0	0	0	0	0	0	0	0	8	40	18	3	69	182
04:15 PM	0	14	103	2	119	0	0	0	0	0	0	0	0	0	0	9	42	20	9	80	199
04:30 PM	0	13	104	1	118	0	0	0	0	0	0	0	0	0	0	25	54	22	5	106	224
04:45 PM	0	18	110	2	130	0	0	0	0	0	0	0	0	0	0	21	56	22	13	112	242
Total	0	58	416	6	480	0	0	0	0	0	0	0	0	0	0	63	192	82	30	367	847
05:00 PM	0	10	108	0	118	0	0	0	0	0	0	0	0	0	0	18	39	32	14	103	221
05:15 PM	1	8	119	2	130	0	0	0	0	0	0	0	0	0	0	12	62	27	7	108	238
05:30 PM	0	15	107	1	123	0	0	0	0	0	0	0	0	0	0	20	46	20	10	96	219
05:45 PM	1	16	119	2	138	0	0	0	0	0	0	0	0	0	0	17	53	18	5	93	231
Total	2	49	453	5	509	0	0	0	0	0	0	0	0	0	0	67	200	97	36	400	909
06:00 PM	0	12	93	6	111	0	0	0	0	0	0	0	0	0	0	15	49	16	13	93	204
06:15 PM	0	9	93	3	105	0	0	0	0	0	0	0	0	0	0	17	51	24	7	99	204
Grand Total	2	128	1055	20	1205	0	0	0	0	0	0	0	0	0	0	162	492	219	86	959	2164
Apprch %	0.2	10.6	87.6	1.7		0	0	0	0	0	0	0	0	0	0	16.9	51.3	22.8	9		
Total %	0.1	5.9	48.8	0.9	55.7	0	0	0	0	0	0	0	0	0	0	7.5	22.7	10.1	4	44.3	
Car	1	127	1049	20	1197	0	0	0	0	0	0	0	0	0	0	157	471	208	86	922	2119
% Car	50	99.2	99.4	100	99.3	0	0	0	0	0	0	0	0	0	0	96.9	95.7	95	100	96.1	97.9
Light Truck	1	1	3	0	5	0	0	0	0	0	0	0	0	0	0	5	20	8	0	33	38
% Light Truck	50	0.8	0.3	0	0.4	0	0	0	0	0	0	0	0	0	0	3.1	4.1	3.7	0	3.4	1.8
Heavy Truck	0	0	3	0	3	0	0	0	0	0	0	0	0	0	0	0	1	3	0	4	7
% Heavy Truck	0	0	0.3	0	0.2	0	0	0	0	0	0	0	0	0	0	0	0.2	1.4	0	0.4	0.3

TechniQuest Corporation
 4105 US Route 1, Suite # 14
 Monmouth Junction, NJ 08852
 Phone: 732-274-9500 Fax: 732-274-9510

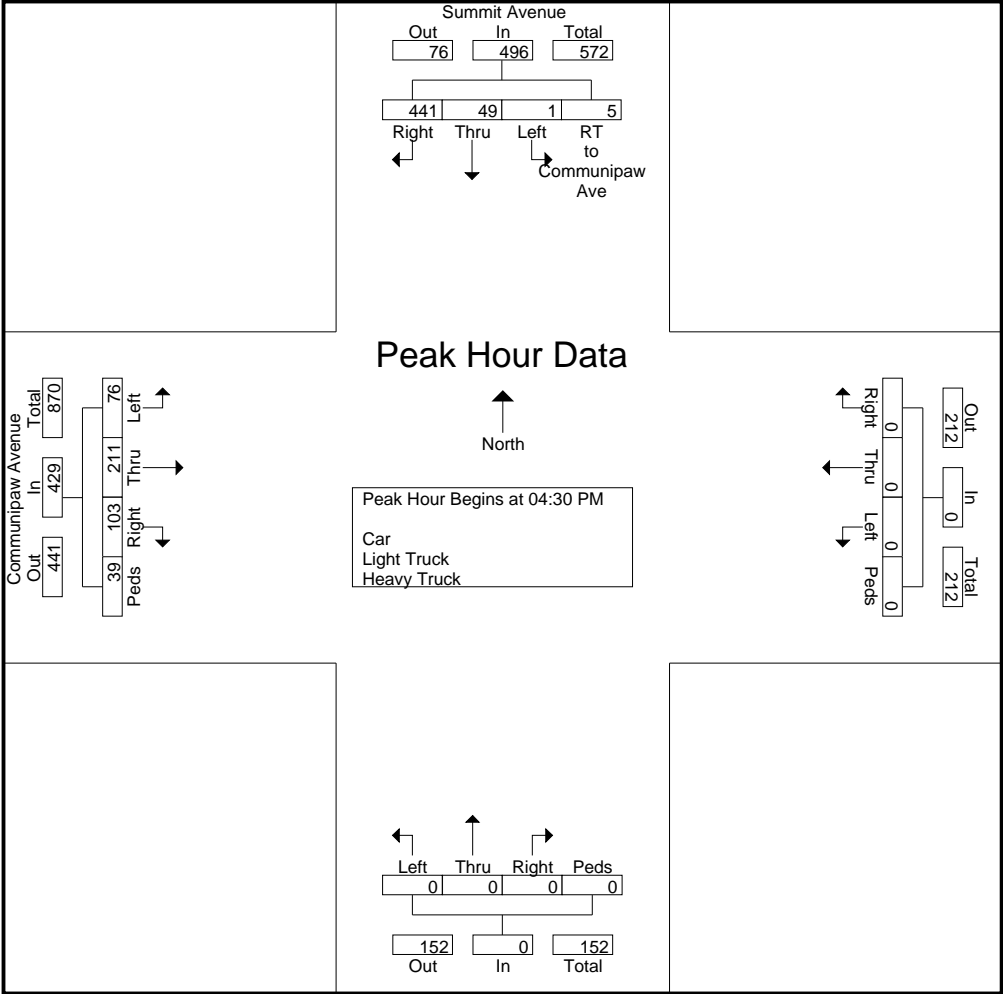
File Name : 06-09PM-SB
 Site Code : 9
 Start Date : 5/15/2008
 Page No : 2

Start Time	Summit Avenue Southbound					Westbound					Northbound					Communipaw Avenue Eastbound					Int. Total
	Left	Thru	Right	RT to Communipaw Ave.	App. Total	Left	Thru	Right	Peds	App. Total	Left	Thru	Right	Peds	App. Total	Left	Thru	Right	Peds	App. Total	
Peak Hour Analysis From 04:00 PM to 06:15 PM - Peak 1 of 1																					
Peak Hour for Entire Intersection Begins at 04:30 PM																					
04:30 PM	0	13	104	1	118	0	0	0	0	0	0	0	0	0	0	25	54	22	5	106	224
04:45 PM	0	18	110	2	130	0	0	0	0	0	0	0	0	0	0	21	56	22	13	112	242
05:00 PM	0	10	108	0	118	0	0	0	0	0	0	0	0	0	0	18	39	32	14	103	221
05:15 PM	1	8	119	2	130	0	0	0	0	0	0	0	0	0	0	12	62	27	7	108	238
Total Volume	1	49	441	5	496	0	0	0	0	0	0	0	0	0	0	76	211	103	39	429	925
% App. Total	0.2	9.9	88.9	1		0	0	0	0		0	0	0	0		17.7	49.2	24	9.1		
PHF	.250	.681	.926	.625	.954	.000	.000	.000	.000	.000	.000	.000	.000	.000	.000	.760	.851	.805	.696	.958	.956

TechniQuest Corporation

4105 US Route 1, Suite # 14
 Monmouth Junction, NJ 08852
 Phone: 732-274-9500 Fax: 732-274-9510

File Name : 06-09PM-SB
 Site Code : 9
 Start Date : 5/15/2008
 Page No : 3



Appendix

Table of Redevelopment Plans Projected to be Constructed by 2050

Anticipated Growth Through 2050

ID	Project Name	Residential Units by 2050	Office or Retail Space SF by 2050	Notes
1	Bayfront (including Kmart site)	8,500 units		dependant on extension of light rail across Route 440
2	Hudson Mall	5,000 units		
3	Route 440 Northeast	3,000 units		
4	Route 440 Southeast	2,000 units		
5	Port Liberte	1,000 units		
6	Residence at Liberty (near golf course)	1,000 units		
7	Burma Road	500 units		
8	Canal Crossing	5,000 units		
9	LSP Park and Ride	1,000 units		
10	Chapel Hill	1,000 units		
11	Danforth Avenue	2,000 units		
12	Whitlock Cordage	330 units		330 units by end of 2008
13	The Beacon	1,000 units		
14	Grand/Jersey	2,500 units		
15	Liberty Harbor North	5,000 units		depends on market, if high demand for office, less residential possible
16	Newport NE	3,000 units		
16	Newport NE		2,000,000 SF	plus 2M SF office
17	Newport NW (Target, Modell today)	3,000 units		
18	Jersey Avenue	4,000 units		assumes new light rail station
19	Metro Plaza (Shoprite today)	4,000 units		
20	Powerhouse Arts District	2,000 units		
21	Hoboken Yards/LCOR/Hudson Crossing	5,000 units		40-50 acres, 60% Hoboken, 40% Jersey City - will include office, retail, 10,000 units, 3M SF office at full build-out
21	Hoboken Yards/LCOR/Hudson Crossing		1,200,000 SF	40-50 acres, 60% Hoboken, 40% Jersey City - will include office, retail, 10,000 units, 3M SF office at full build-out
22	Avalon Cove	2,000 units		
23	Harborside Plaza 8 and 9		1,225,000 SF	
24	Journal Square	10,000 units		
24	Journal Square		1,000,000 SF	plus 1M SF office, not as much office anticipated as waterfront
25	AMB warehouse		880,000 SF	880,000 SF, 24-hour operation, high cube
26	30 Montgomery		1,000,000 SF	1M SF of residential or office
27	Colgate (Goldman Sachs)		1,000,000 SF	1M SF office
28	77 Hudson	1,000 units		
29	vacant lots in Colgate (surface parking today)		1,000,000 SF	1M SF office
30	Gregory Park	1,500 units		
31	Marion Works	3,000 units		
32	New Neighborhood	1,000 units		
33	Berry Lane Park			new park
34	Bates (Foodtown today)	1,500 units		
35	Bayonne Border (HC zone today)	500 units		
36	Meadowlands-Rockefeller Warehouse		539,000 SF	Trip generation from NJMC- Meadowlands report
	Total Additional Residential Units by 2050	80,330 units		
	Total Additional Office SF by 2050		9,844,000 SF	